

# QUANTIFYING- FILLING MACHINE SA-100 TYPE



**JIN NONG MACHINERY CO., LTD.**

No.2-1, Lane 49, Sec.3, Fusing Rd., Sinjhuang, Taipei 24251, Taiwan

TEL : 886-2-29923134      FAX : 886-2-29902946

<http://www.jin.com.tw>

e-mail: [jinnong@ms11.hinet.net](mailto:jinnong@ms11.hinet.net)

# Index

© Applications

© Structure

© Examples



## Jin Nong Mono Spiral Pump Application

### **FOOD STUFFS**

Jams, chocolate, syrups, sauces, tomato ketchup, batters, stews, sausage meats, eggs, fats, gelatin, soup, liquid sugar, molasses, honey, vinegar, preserves, soya sauce, peanut butter, jelly, chutney, mincemeat, olive oil, palm oil, chicken paste, coconut oil, cod oil, ketchup, maple syrup, marmalade, salad dressing, flavoring, pulp.

### **DAIRY PRODUCTS**

Milk, curdled milk, yogurt, whey, cheese, curd, butter, margarine, oils, creams, cheese whey, mousse, custard cream cheese, pudding.

### **Beverages**

Beer, wines, alcohol, syrups, yeast, wort, spirits, juices, cordials, minerals, tea, water, coffee liquor, cordials, cranberry juice.

### **PAPER & CHEMICALS**

Acids, alkaline, soaps, paints, dyes, lacquers, resins, lubricants, solvents, black liquors, adhesives, latex, waxes, coatings, pastes, nail polish, mascara

### **PHARMACEUTICALS**

Cream, gels, serums, disinfectants, lotions, shampoos, perfumes, soaps, toothpaste, vaccines, Vaseline, antibiotics, glucose, iodine ointment, perfumes.

# Structure



For filling high viscosity liquid, high density liquid, semi-solid, low concentration, liquid containing granule filling

- Pump-out: Max 200cc / 1sec.
- Filling amount: 25cc~5000cc / per filling
- Filling accuracy:  $\pm 2\%$
- Granularity permitted: 6mm
- Hopper: 50 Liter
- Size: L86xW50xH58cm, 50kg



## QUANTIFYING-FILLING MACHINE EXAMPLES



- Liquid containing granules filling



- Semi-solid filling



## QUANTIFYING-FILLING MACHINE EXAMPLES



## QUANTIFYING-FILLING MACHINE EXAMPLES





## QUANTIFYING-FILLING MACHINE EXAMPLES

- Material of baking quantifying filling



- Fluid quantifying filling





## QUANTIFYING-FILLING MACHINE EXAMPLES

- Material of baking quantifying filling



- Chocolate, gelatin, jam quantifying filling



## QUANTIFYING-FILLING MACHINE EXAMPLES



• Butter, jam cream quantifying filling

# **QUANTIFYING-FILLING MACHINE EXAMPLES**

金濃機械有限公司  
JIN NONG MACHINERY CO LTD

高黏度液體

HIGH VISCOSITY LIQUID

MONO SPIRAL PUMP

ROTARY LOBE PUMP

LIQUID QUANTIFYING MACHINE

No.2-1, Lane 49, Sec. 3, Fusing Rd., Sinjhuang, Taipei 24251, Taiwan

TEL : 886-2-29923134

FAX : 886-2-29902946

[http : //www.jin.com.tw](http://www.jin.com.tw)

e-mail : [jinnong@ms11.hinet.net](mailto:jinnong@ms11.hinet.net)

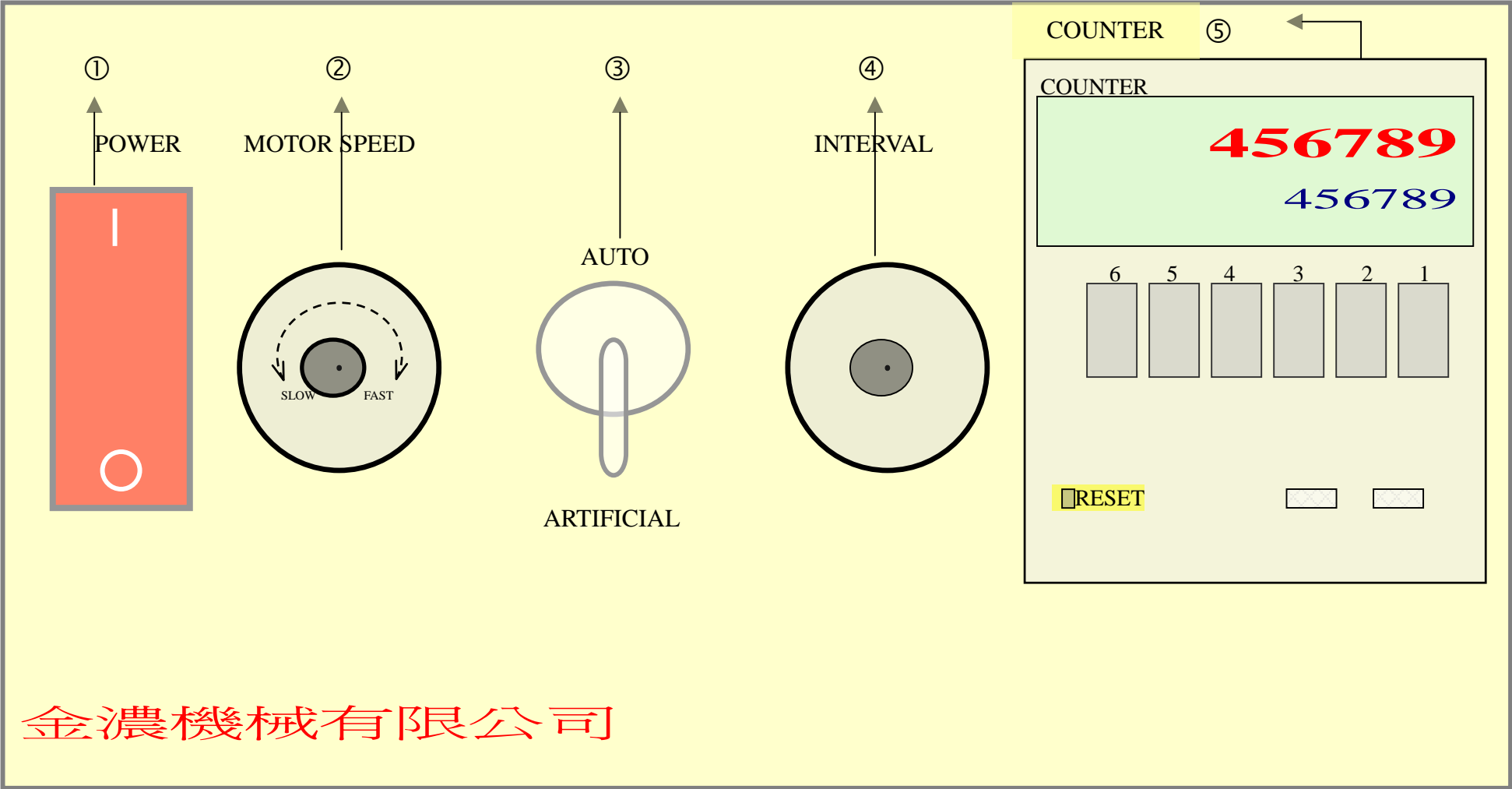


# 金濃機械有限公司

## JIN NONG MACHINERY CO LTD

CQ-100

CONTROL BOX : FRONT



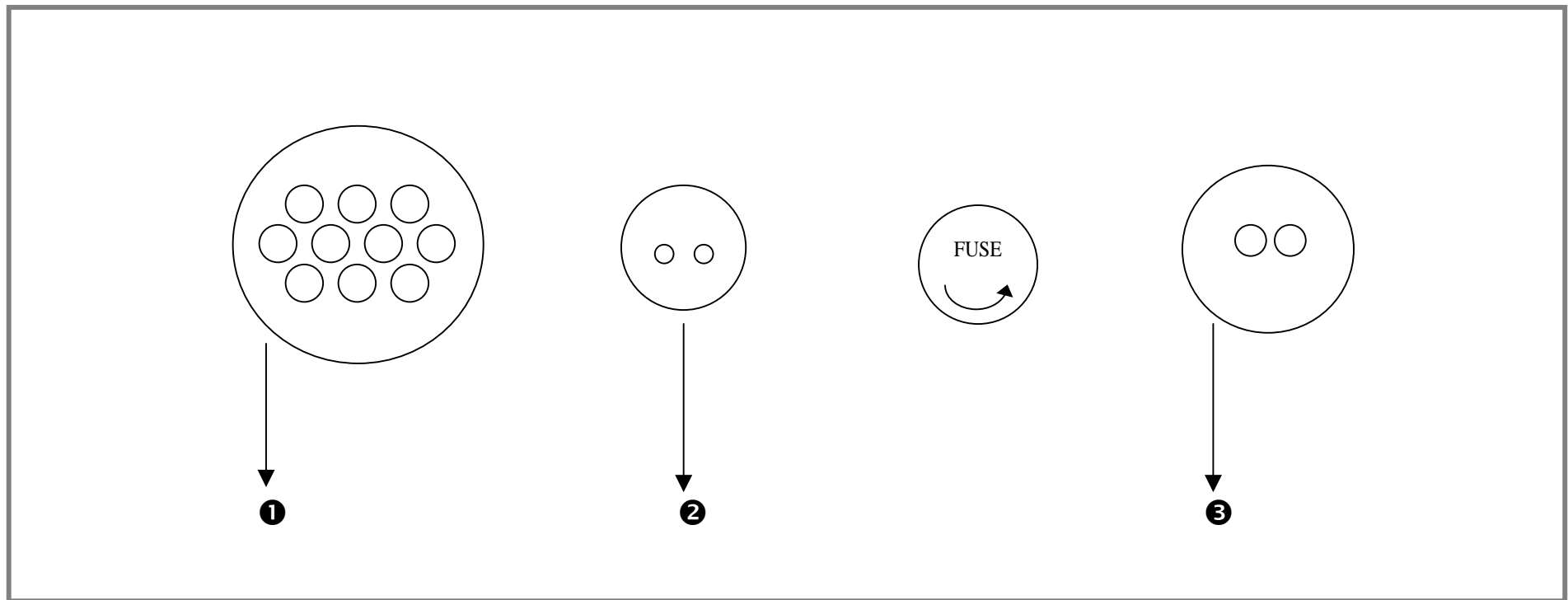
金濃機械有限公司

# 金濃機械有限公司

## JIN NONG MACHINERY CO LTD

CQ-100

CONTROL BOX : BACK



說明：

**1** SIGNAL RECEPTACLE

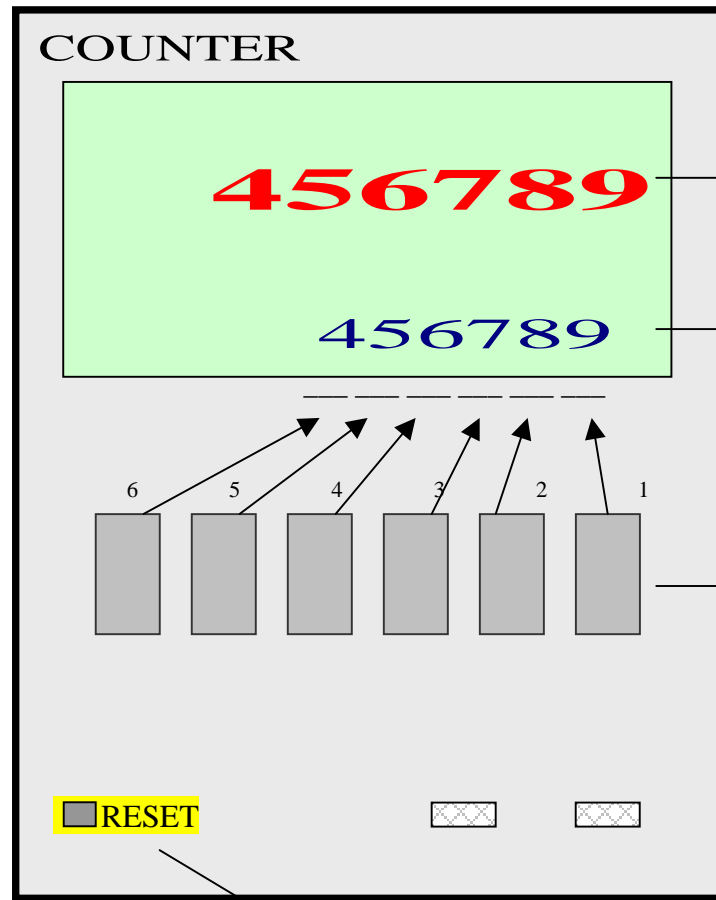
**2** FOOT SWITCH RECEPTACLE

**3** POWER RECEPTACLE

# 金濃機械有限公司

## JIN NONG MACHINERY CO LTD

CQ-100



COUNTER :

a : HAVE FINISHED SETTING FILLING AMOUNT

b : SETTING FILLING AMOUNT

c : SETTING BUTTON

d : RESET BUTTON

# 金濃機械有限公司

## JIN NONG MACHINERY CO LTD

### CQ-100

#### 電器控制箱操作說明：正面

說明

#### ① 電 源 開 關

#### ② 馬 達 轉 速：

左旋：慢速運轉；高黏、稠度液體及流動性不佳物體適用慢速運轉。

右旋：快速運轉；低黏、稠度液體及流動性液體適用快速運轉。

#### ③ 自 動 / 手 動 開 關：

自動：不必觸動腳踏開關。啟動自動充填→停止（間隔時間）→充填→停止（間隔時間）；依此連續動作。

手動：觸動腳踏開關一次即動作一次；充填→停止。

#### ④ 間 隔 時 間：

當自動/手動開關切換在“自動”位置，則在連續充填時會有停止的時間，此段停止時間就是“間隔時間”。

間隔時間可依個人操作習性，調整間隔時間的長短。

#### ⑤ 計 數 器：充填設定。

設定之數字是並非充填的容量或重量；此數字只是容量或重量的另一種代表數字。

因各種液體的比重、均勻性等條件不一，因此不同的液體，相同的重量，並不能用同一數字作設定數。



# 金濃機械有限公司

## JIN NONG MACHINERY CO LTD

CQ-100

FILLING AMOUNT : 350 cc (g)

STEP 1 TURN ON THE POWER

STEP 2 SET UP THE MOTOR SPEED FAST OR SLOW

STEP 3 SET UP THE ARTIFICIAL BUTTON

STEP 4 SET UP THE COUNTER 「b」

STEP 5 START THE FOOT SWITCH, STARTING FILLING

STEP 6 HAVE FINISHED FILLING :

IF FILLING AMOUNT MUCH THAN 350 cc (g), GO ON STEP 4 REDUCE THE SETTING AMOUNT 「b」  
→STEP 5→STEP 6。

IF FILLING AMOUNT LESS THAN 350 cc (g), GO ON STEP 4 ADD THE SETTING AMOUNT 「b」  
→STEP 5→STEP 6。

IF FILLING AMOUNT EUQALS 350 cc (g), GO ON STEP 5 (ARTIFICIAL);

IF FILLING AMOUNT EUQALS 350 cc (g), GO ON STEP 7→STEP 8 (AUTO)。

AUTO FILLING :

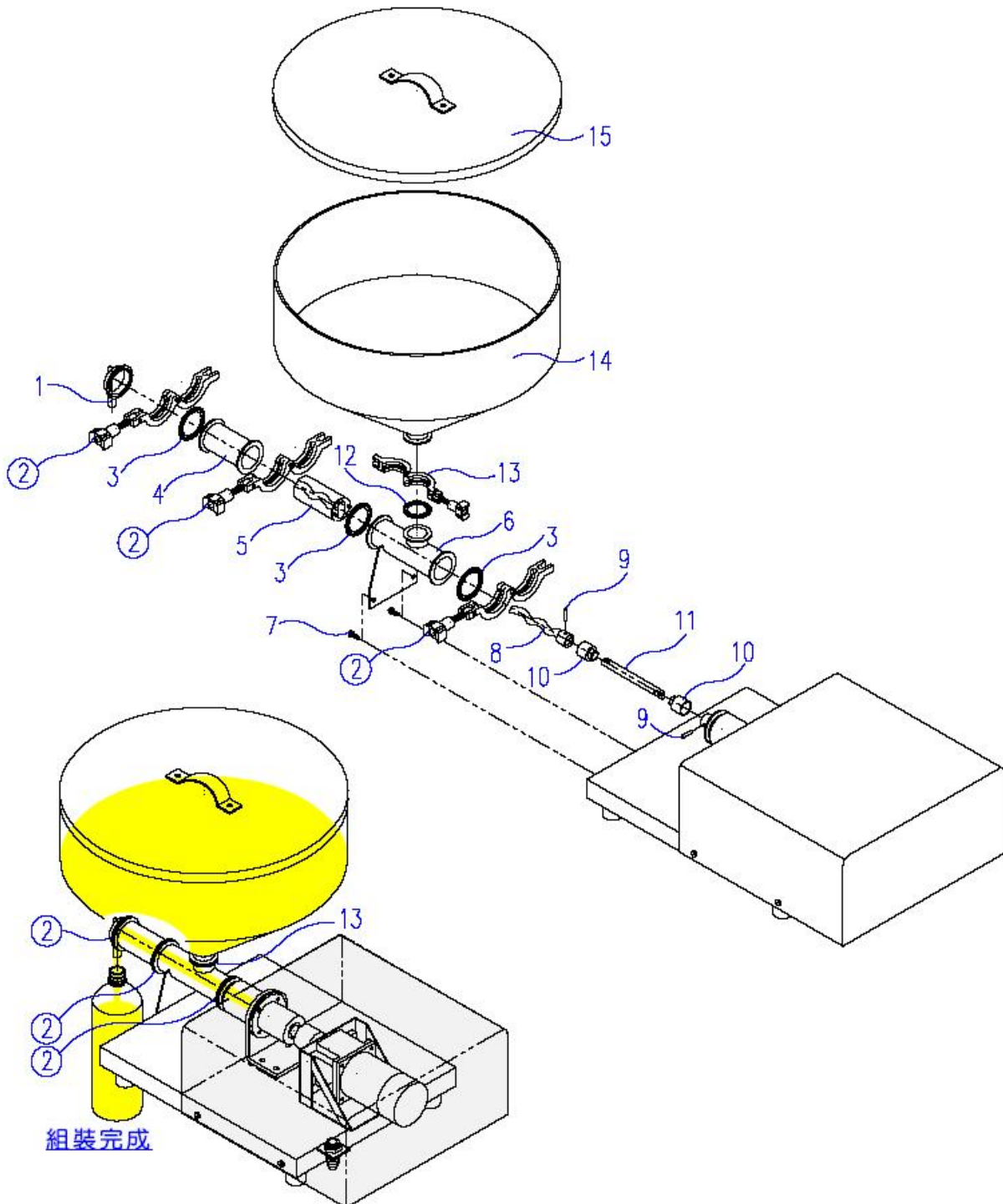
STEP 7 TURN OFF THE POWER , SETTING UP THE INTERVAL.

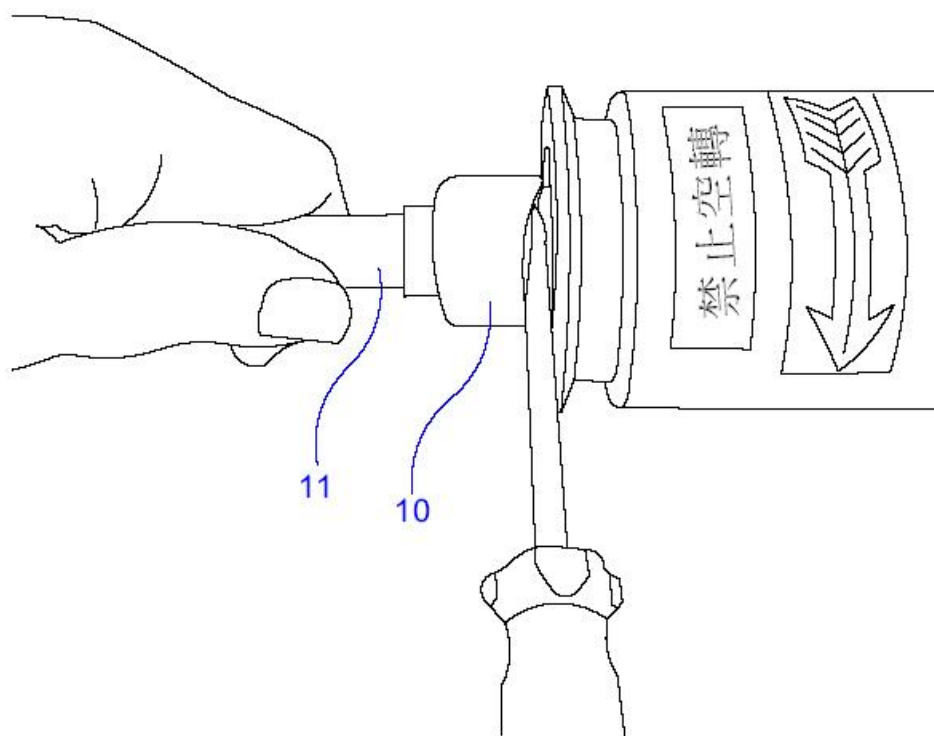
STEP 8 SET UP THE AUTO BUTTON , TURN ON THE POWER , STARTING FILLING.

# Semi-Automatic Filling Machine

CQ-100 Cleaning analyse / Par List I

No.	Item	Qty	No.	Item	Qty
1	Nozzle	1	9	Pin	2
②	Clamp 2"	3	10	Shaft sleeve	2
3	Gasket 2"	3	11	Connect rod	1
4	Stator case	1	12	Gasket 4"	1
5	Stator	1	13	Clamp 4"	1
6	Filler case	1	14	Hopper	1
7	Screw M6	2	15	Hopper lid	1
8	Rotor	1			



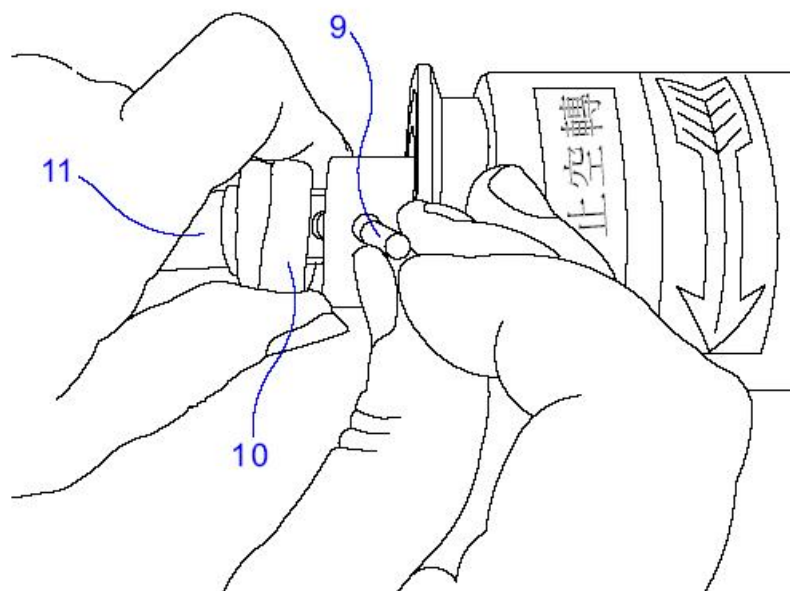


### 拆解

用一字起子靠近膠套內緣往外撥出後,再用十字起子將定位削壓出

### Disassembly

- \*Hold the connect rod-11
- \*Use the spanner to remove the shaft sleeve-10
- \*Use the spanner to remove the pin-9



### 安裝

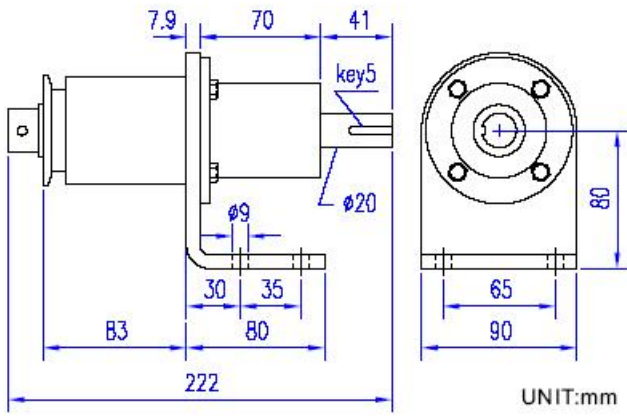
- 1-軸套反摺一層,並以左食指及母指壓住
- 2-軸心套入傳動端對準軸孔後右手取定位削插入定位孔內
- 3-將反摺的軸套翻回原位

### Assembly

- \*Aim at the connect rod's pin hole with the shafting's pin hole.
- \*Assembly the pin
- \*Assembly the shaft sleeve

# Semi-Automatic Filling Machine

## CQ-100 Dimensions/Part List II



No.	Item	Qty	No.	Item	Qty
1	Bearing seat	1	10	Shafting	1
2	Shaft seal sleeve	1	11	Pin	1
3	Seal-ceramic	1	12	Bearing	1
4	Seal-ceramic	1	13	Sleeve-Iron	1
5	Shaft seal sleeve	1	14	Bearing	1
6	Front thrust-ring	1	15	Bearing cover	1
7	Spring	1	16	Seal	1
8	End thrust-ring	1	17	Screw	4
9	Bearing	1			

UNIT:mm

