

# QUANTIFYING- FILLING MACHINE GN-100 TYPE



## **JIN NONG MACHINERY CO., LTD.**

No.2-1, Lane 49, Sec.3, Fusing Rd., Sinjhuang, Taipei 24251, Taiwan

TEL : 886-2-29923134

FAX : 886-2-29902946

<http://www.jin.com.tw>

e-mail: [jinnong@ms11.hinet.net](mailto:jinnong@ms11.hinet.net)



# Index

© Applications

© Structure

© Examples



## Jin Nong Mono Spiral Pump Application

### **FOOD STUFFS**

Jams, chocolate, syrups, sauces, tomato ketchup, batters, stews, sausage meats, eggs, fats, gelatin, soup, liquid sugar, molasses, honey, vinegar, preserves, soya sauce, peanut butter, jelly, chutney, mincemeat, olive oil, palm oil, chicken paste, coconut oil, cod oil, ketchup, maple syrup, marmalade, salad dressing, flavoring, pulp.

### **DAIRY PRODUCTS**

Milk, curdled milk, yogurt, whey, cheese, curd, butter, margarine, oils, creams, cheese whey, mousse, custard cream cheese, pudding.

### **Beverages**

Beer, wines, alcohol, syrups, yeast, wort, spirits, juices, cordials, minerals, tea, water, coffee liquor, cordials, cranberry juice.

### **PAPER & CHEMICALS**

Acids, alkaline, soaps, paints, dyes, lacquers, resins, lubricants, solvents, black liquors, adhesives, latex, waxes, coatings, pastes, nail polish, mascara

### **PHARMACEUTICALS**

Cream, gels, serums, disinfectants, lotions, shampoos, perfumes, soaps, toothpaste, vaccines, Vaseline, antibiotics, glucose, iodine ointment, perfumes.

# Structure



For filling high viscosity liquid, high density liquid, semi-solid, low concentration, liquid containing granule filling

- Filling speed can be controlled
- Pump-out: Max 250cc / 1sec.
- Filling amount: 25cc~5000cc / per filling
- Filling accuracy:  $\pm 2\%$
- Granularity permitted: 6mm
- Hopper: 50 Liter
- Size: L105xW66xH118cm, 108kg

## QUANTIFYING-FILLING MACHINE EXAMPLES



- Liquid containing granules filling



- Semi-solid filling



## QUANTIFYING-FILLING MACHINE EXAMPLES

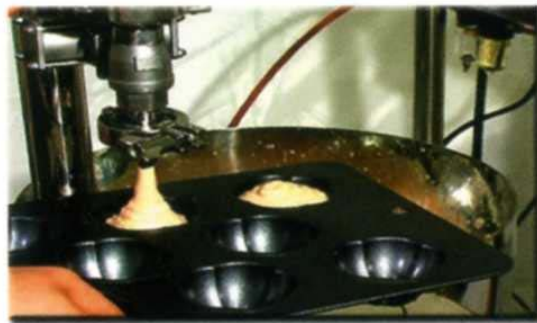


## QUANTIFYING-FILLING MACHINE EXAMPLES



## QUANTIFYING-FILLING MACHINE EXAMPLES

- Material of baking quantifying filling



- Fluid quantifying filling



- Prepared food filling







金濃機械有限公司  
JIN NONG MACHINERY CO LTD

高黏度液體

HIGH VISCOSITY LIQUID

MONO SPIRAL PUMP

ROTARY LOBE PUMP

LIQUID QUANTIFYING MACHINE

No.2-1, Lane 49, Sec. 3, Fusing Rd., Sinjhuang, Taipei 24251, Taiwan

TEL : 886-2-29923134

FAX : 886-2-29902946

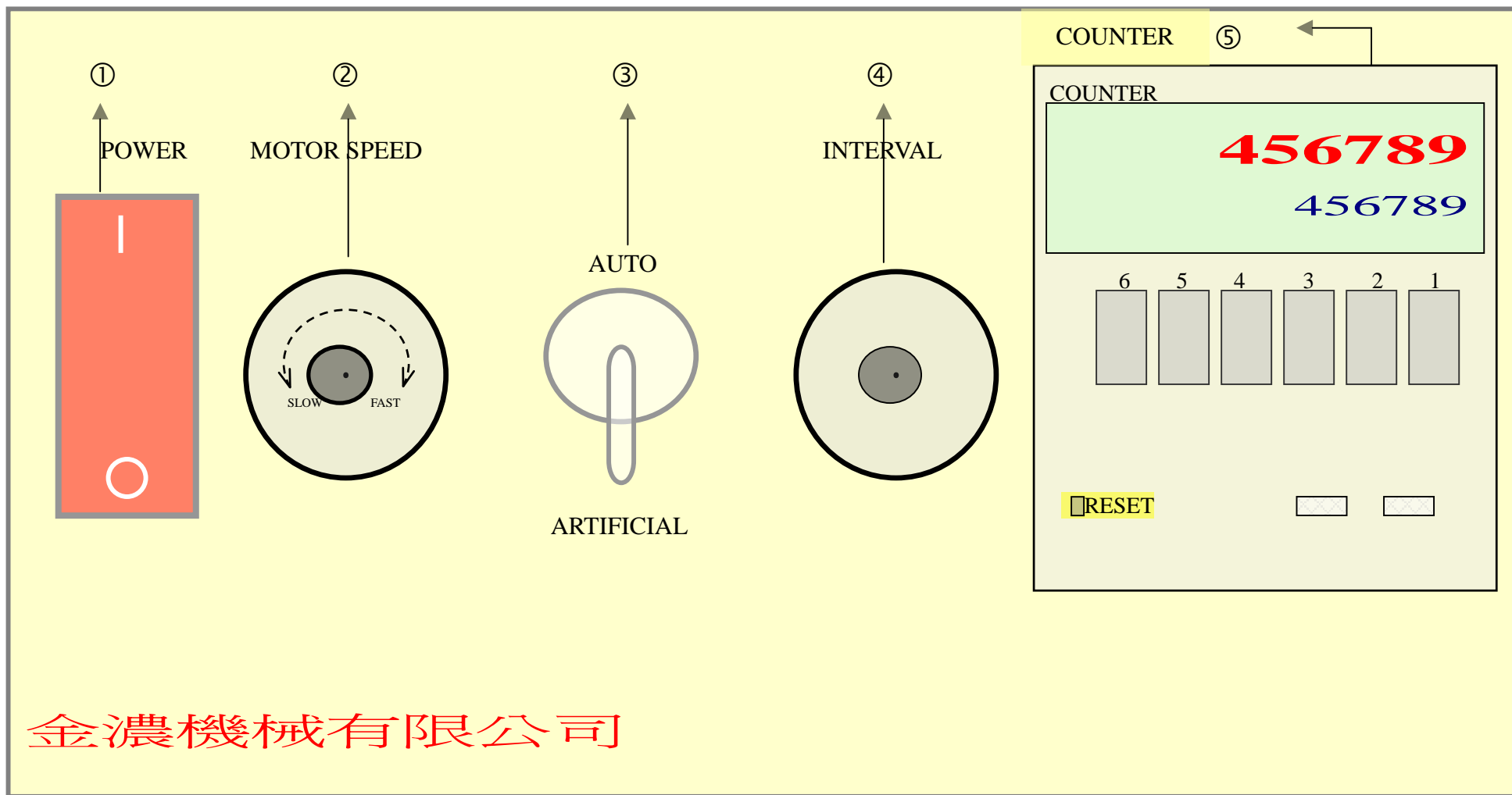
[http : //www.jin.com.tw](http://www.jin.com.tw)

e-mail : [jinnong@ms11.hinet.net](mailto:jinnong@ms11.hinet.net)

# 金濃機械有限公司

## JIN NONG MACHINERY CO LTD

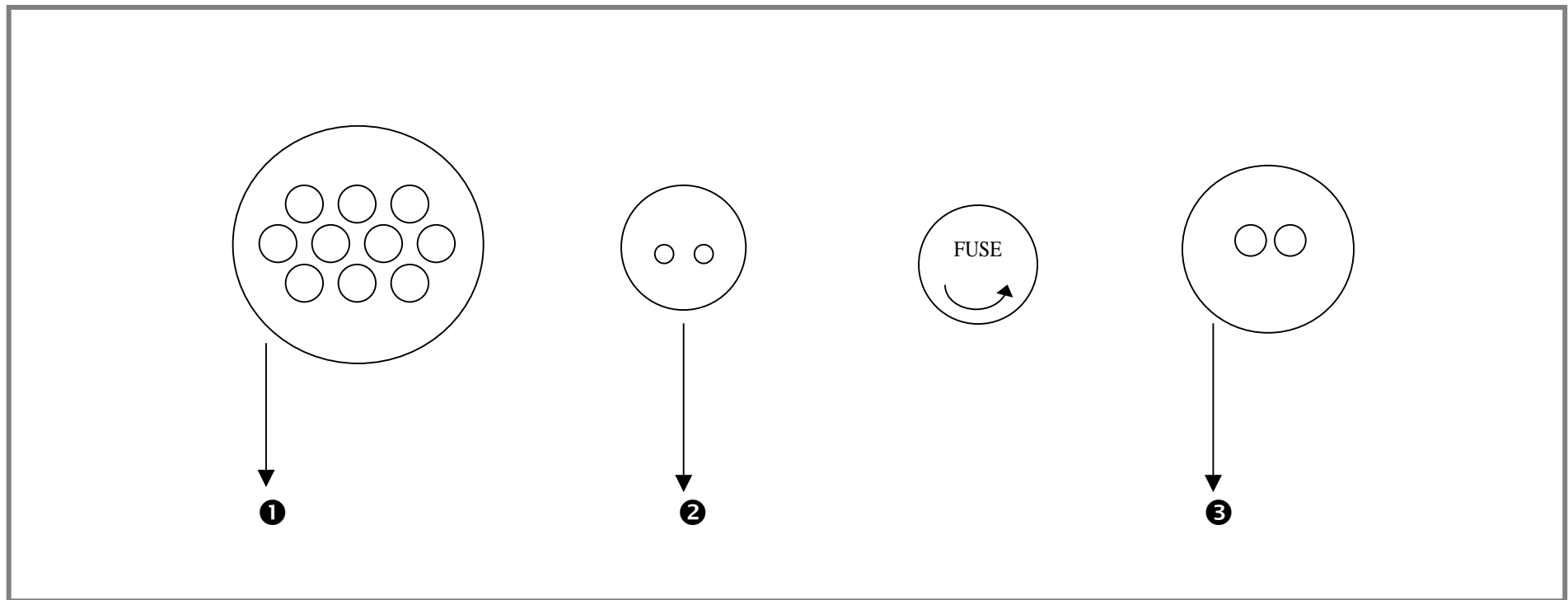
CQ-100 , GN-100 , SQ-100  
CONTROL BOX : FRONT



# 金濃機械有限公司

## JIN NONG MACHINERY CO LTD

CQ-100 , GN-100 , SQ-100  
CONTROL BOX : BACK



說明：

**1** SIGNAL RECEPTACLE

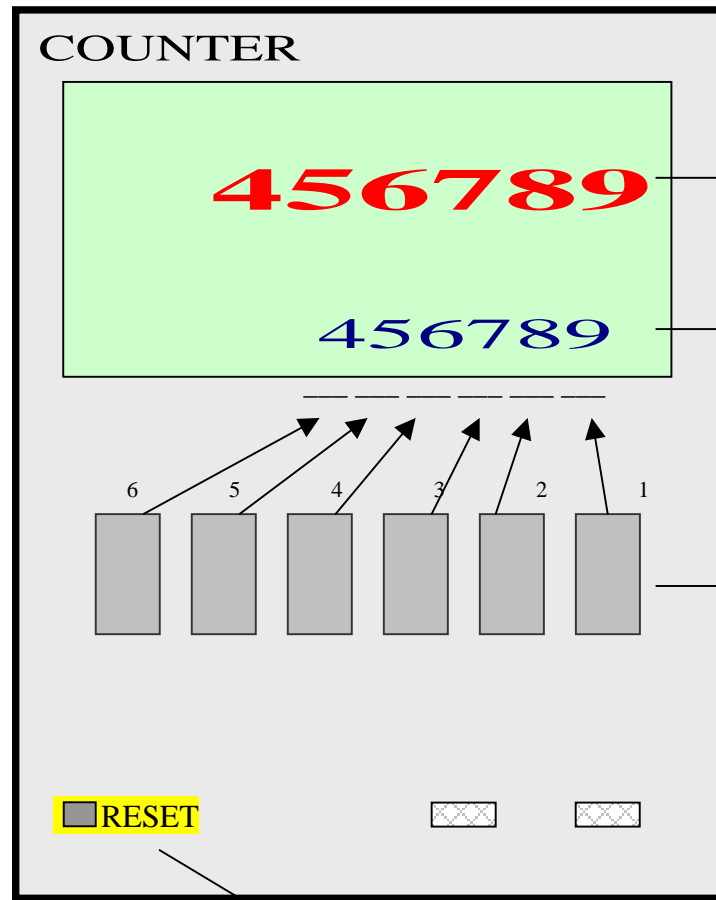
**2** FOOT SWITCH RECEPTACLE

**3** POWER RECEPTACLE

# 金濃機械有限公司

## JIN NONG MACHINERY CO LTD

CQ-100 , GN-100 , SQ-100



COUNTER :

a : HAVE FINISHED SETTING FILLING AMOUNT

b : SETTING FILLING AMOUNT

c : SETTING BUTTON

d : RESET BUTTON

# 金濃機械有限公司

## JIN NONG MACHINERY CO LTD

CQ-100 , GN-100 , SQ-100

FILLING AMOUNT : 350 cc (g)

STEP 1 TURN ON THE POWER

STEP 2 SET UP THE MOTOR SPEED FAST OR SLOW

STEP 3 SET UP THE ARTIFICIAL BUTTON

STEP 4 SET UP THE COUNTER 「b」

STEP 5 START THE FOOT SWITCH, STARTING FILLING

STEP 6 HAVE FINISHED FILLING :

IF FILLING AMOUNT MUCH THAN 350 cc (g), GO ON STEP 4 REDUCE THE SETTING AMOUNT 「b」  
→STEP 5→STEP 6。

IF FILLING AMOUNT LESS THAN 350 cc (g), GO ON STEP 4 ADD THE SETTING AMOUNT 「b」  
→STEP 5→STEP 6。

IF FILLING AMOUNT EUQALS 350 cc (g), GO ON STEP 5 (ARTIFICIAL);

IF FILLING AMOUNT EUQALS 350 cc (g), GO ON STEP 7→STEP 8 (AUTO)。

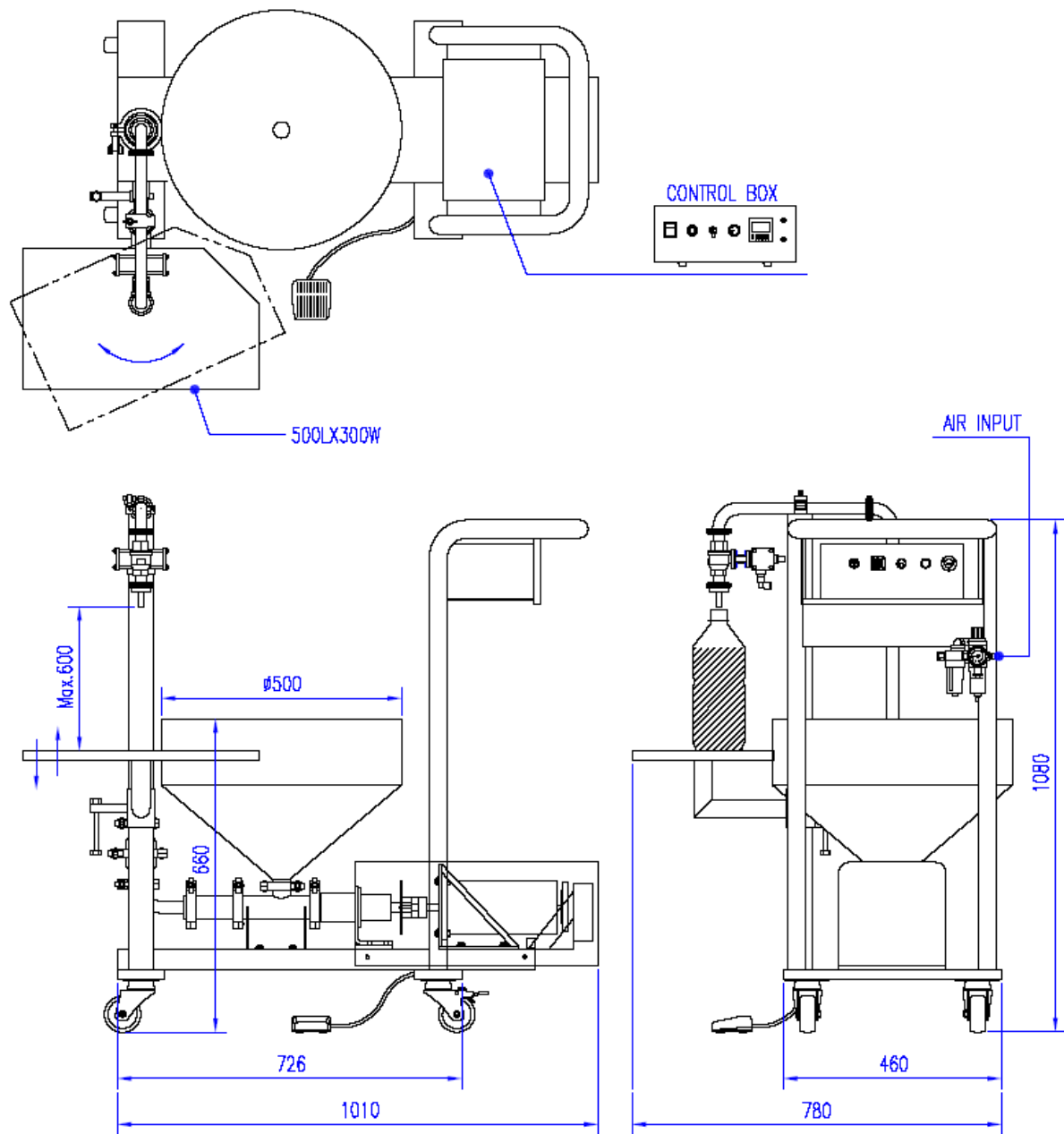
AUTO FILLING :

STEP 7 TURN OFF THE POWER , SETTING UP THE INTERVAL.

STEP 8 SET UP THE AUTO BUTTON , TURN ON THE POWER , STARTING FILLING.

# Semi-Automatic Filling Machine

**GN-100**      Dimensions

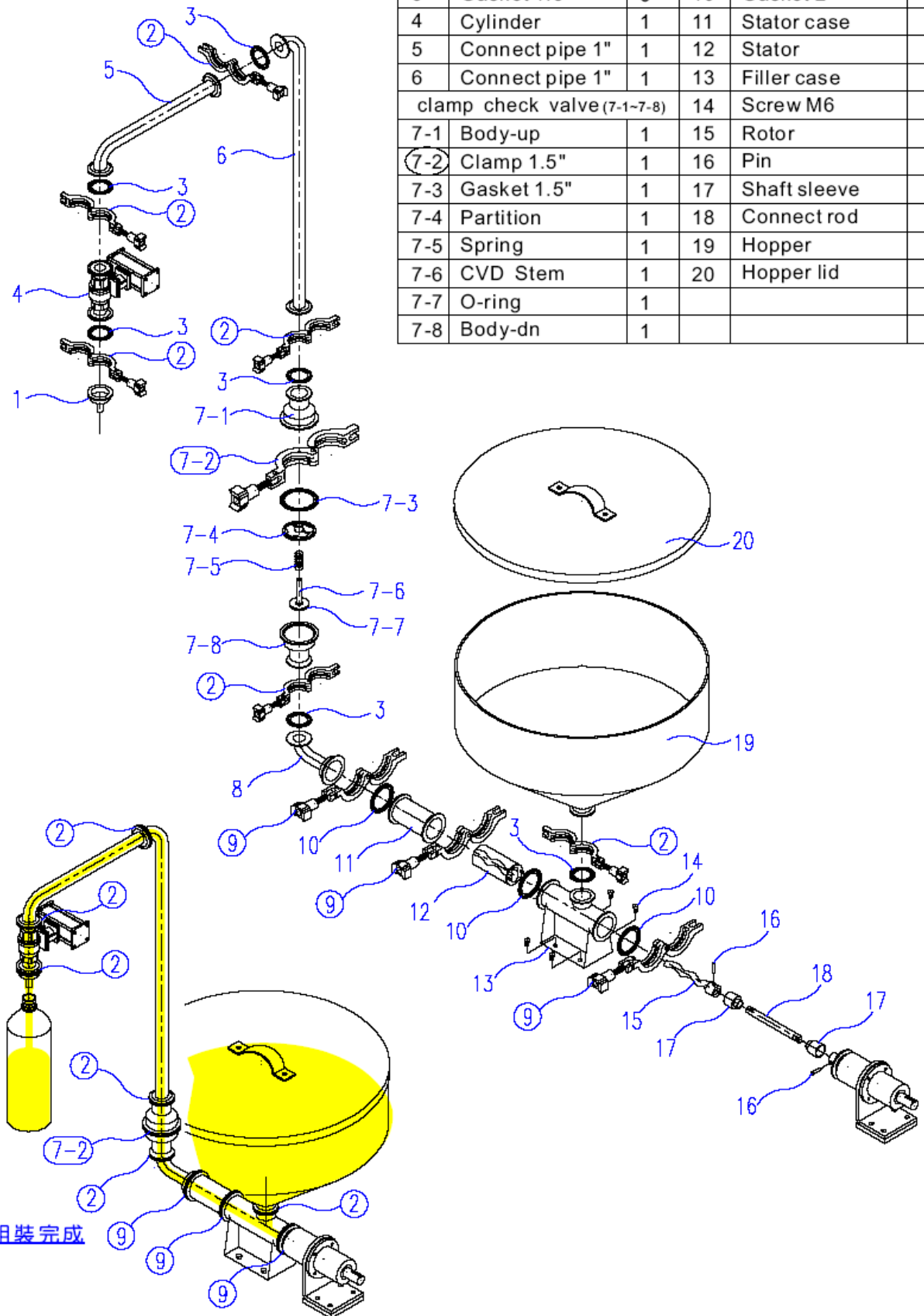


UNIT:mm

# Semi-Automatic Filling Machine

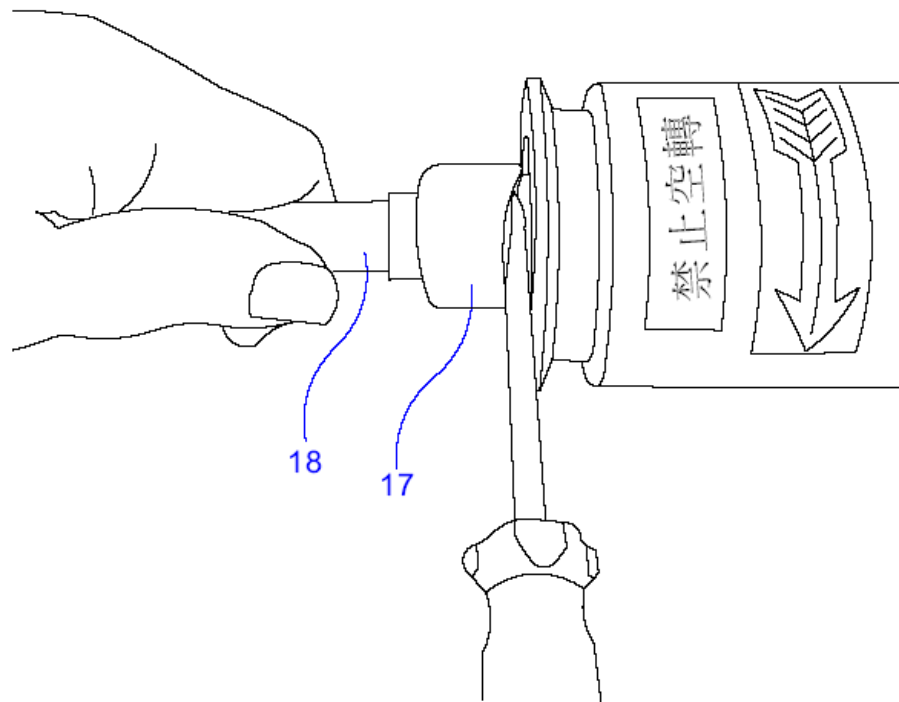
## GN-100 Cleaning analyse / Par List I

No.	Item	Qty	No.	Item	Qty
1	Nozzle	1	8	Ferrule elbow	1
②	Clamp 1.5"	6	⑨	Clamp 2"	3
3	Gasket 1.5"	6	10	Gasket 2"	3
4	Cylinder	1	11	Stator case	1
5	Connect pipe 1"	1	12	Stator	1
6	Connect pipe 1"	1	13	Filler case	1
clamp check valve (7-1-7-8)			14	Screw M6	4
7-1	Body-up	1	15	Rotor	1
⑦-2	Clamp 1.5"	1	16	Pin	2
7-3	Gasket 1.5"	1	17	Shaft sleeve	2
7-4	Partition	1	18	Connect rod	1
7-5	Spring	1	19	Hopper	1
7-6	CVD Stem	1	20	Hopper lid	1
7-7	O-ring	1			
7-8	Body-dn	1			



組裝完成



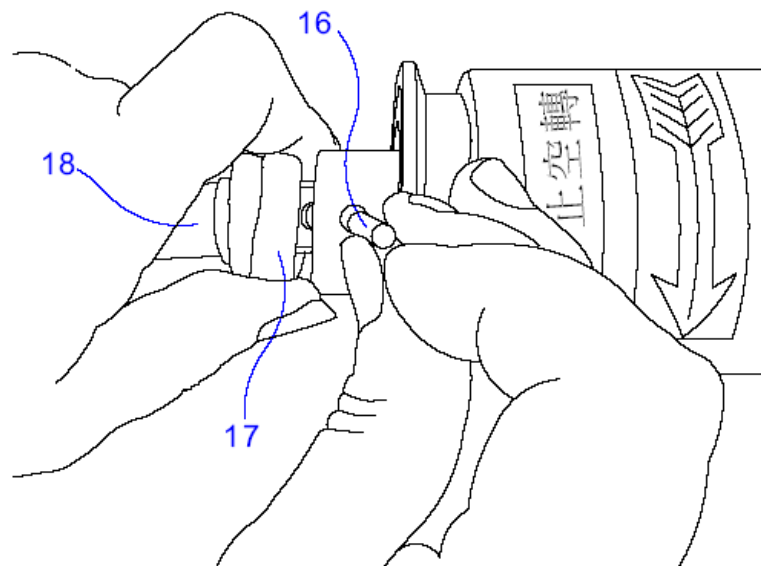


### 拆解

用一字起子靠近膠套內緣往外撥出後,再用十字起子將定位削壓出

### Disassembly

- \*Hold the connect rod-18
- \*Use the spanner to remove the shaft sleeve-17
- \*Use the spanner to remove the pin-16



### 安裝

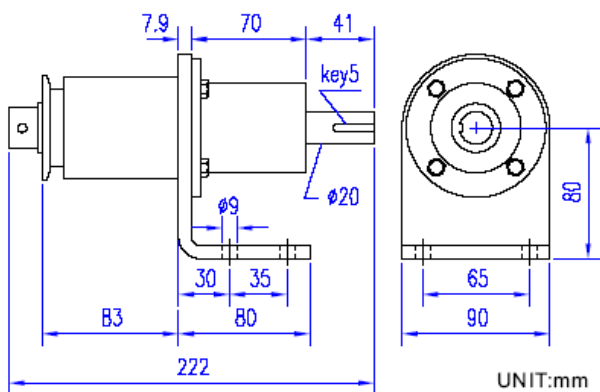
- 1-軸套反摺一層,並以左食指及母指壓住
- 2-軸心套入傳動端對準軸孔後右手取定位削插入定位孔內
- 3-將反摺的軸套翻回原位

### Assembly

- \*Aim at the connect rod's pin hole with the shafting's pin hole.
- \*Assembly the pin
- \*Assembly the shaft sleeve

# Semi-Automatic Filling Machine

## Dimensions/Part List II GN-100 / SA-100 / CQ-100



No.	Item	Qty	No.	Item	Qty
1	Bearing seat	1	10	Shafting	1
2	Shaft seal sleeve	1	11	Pin	1
3	Seal-ceramic	1	12	Bearing	1
4	Seal-ceramic	1	13	Sleeve-Iron	1
5	Shaft seal sleeve	1	14	Bearing	1
6	Front thrust-ring	1	15	Bearing cover	1
7	Spring	1	16	Seal	1
8	End thrust-ring	1	17	Screw	4
9	Bearing	1			

UNIT:mm

