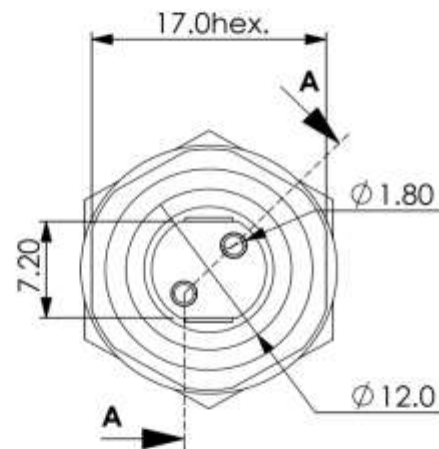
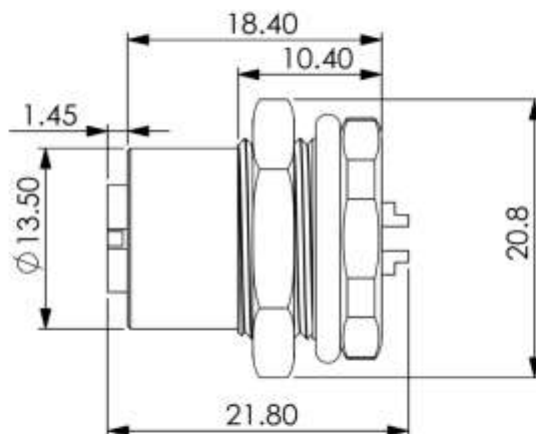
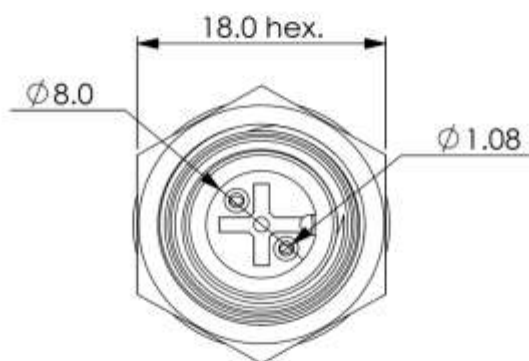
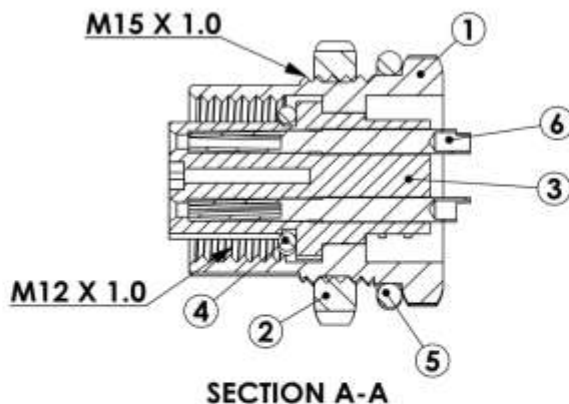


WATERPROOF CONNECTORS

- IP67 M12 FEMALE SOCKETS
- 2.3.4.5.8 PINS
- PANEL FRONT MOUNT
- WP1202JPF
- WP1203JPF
- WP1204JPF
- WP1205JPF
- WP1208JPF





No.	Description	Material	Treat	Q'ty
1	JPF Shell Cover	Brass	Nickel Ptd.	1
2	JPF Screw Nut	Brass	Nickel Ptd.	1
3	1202J Housing	PBT+GF15%		1
4	Rubber Ring	NBR		1
5	JPF Ring	NBR		1
6	Terminals	Brass	Gold Ptd.	2

俞昌有限公司
YEU TSANG CO. LTD.

品名: 2P M12 WATER TIGHT JACK
ITEM : PANEL MOUNT FRONT SCREW ON

料號: WP1202JPF
PART NO

圖號:
DRW NO.



一般公差
.X +/-0.25
.XX +/-0.10

SHEET:
1
1

單位:
unit: mm

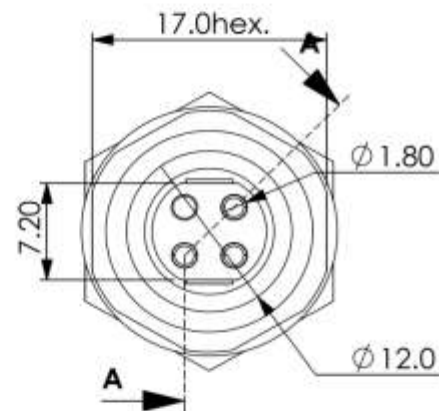
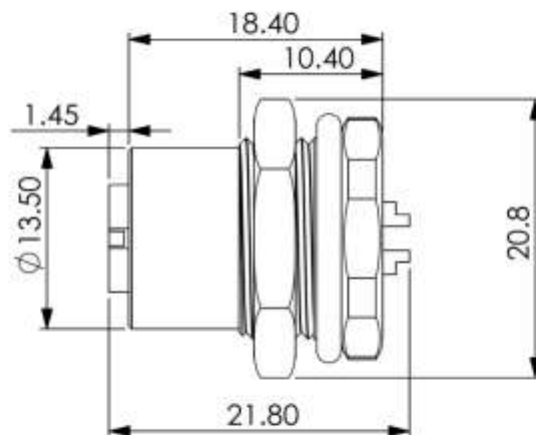
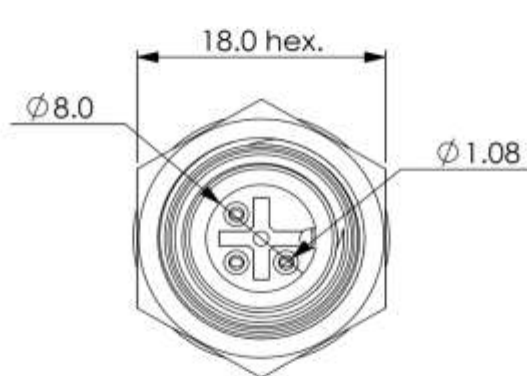
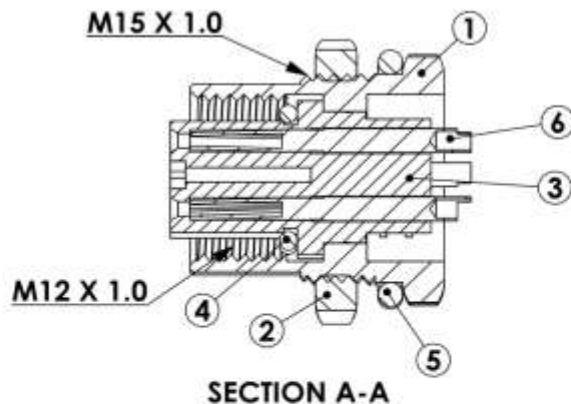
日期:
date: '07/01/23

繪圖:
drwn by: DanielShyr

比例:
scale: 2:1

版本:
version: V. 1.0

核准:
aprvid by: SkyShyr



No.	Description	Material	Treat	Q'ty
1	JPF Shell Cover	Brass	Nickel Ptd.	1
2	JPF Screw Nut	Brass	Nickel Ptd.	1
3	3P Housing	PBT+GF15%		1
4	Rubber Ring	NBR		1
5	JPF Ring	NBR		1
6	Terminals	Brass	Gold Ptd.	3

俞昌有限公司
YEU TSANG CO. LTD.

品名: **3P M12 WATER TIGHT JACK**
ITEM: **PANEL MOUNT FRONT SCREW ON**

料號: **WP1203JPF** 圖號:
PART NO. **WP1203JPF** DRW NO.



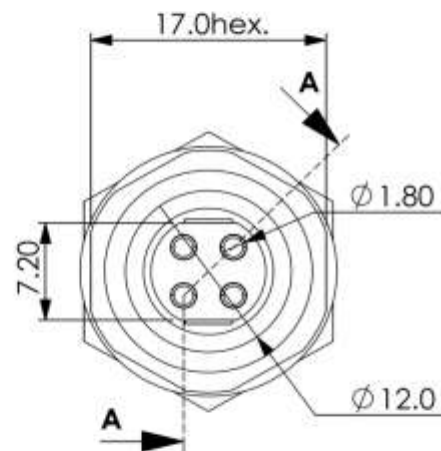
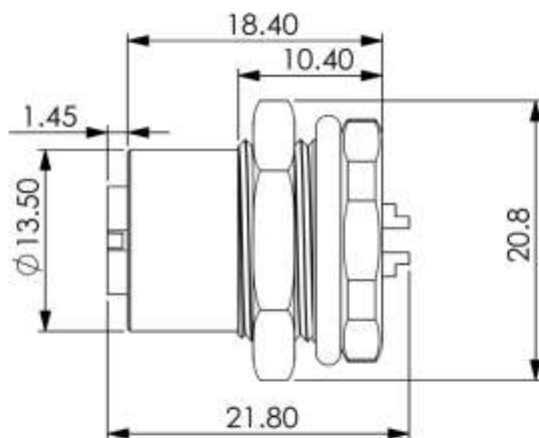
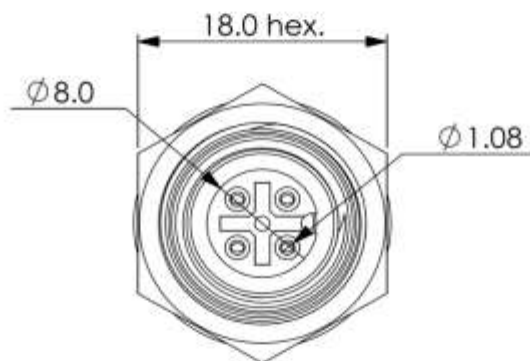
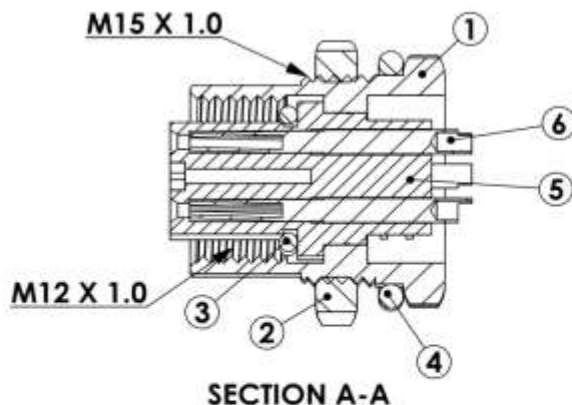
一般公差
.X +/-0.25
.XX +/-0.10

SHEET:
1
1

單位: mm
unit: mm
比例: 2:1
scale:

日期: '07/01/23
date:
版本: V. 1.0
version:

繪圖: DanielShyr
drwn by:
核准: SkyShyr
aprvid by:



No.	Description	Material	Treat	Q'ty
1	JPF Shell Cover	Brass	Nickel Ptd.	1
2	JPF Screw Nut	Brass	Nickel Ptd.	1
3	Rubber Ring	NBR		1
4	JPF Ring	NBR		1
5	1204J Housing	PBT+GF15%		1
6	Terminals	Brass	Gold Ptd.	4

俞昌有限公司
YEU TSANG CO. LTD.

品名: 4P M12 WATER TIGHT JACK
ITEM: PANEL MOUNT FRONT SCREW ON

料號: WP1204JPF
PART NO.

圖號:
DRW NO.



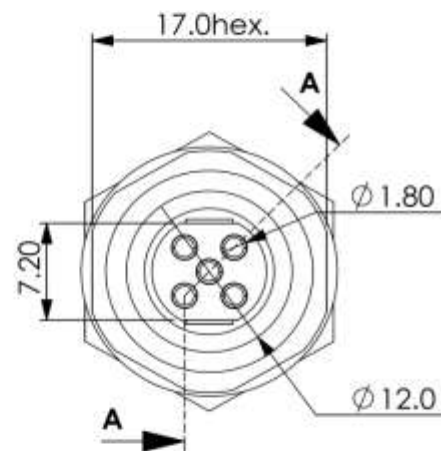
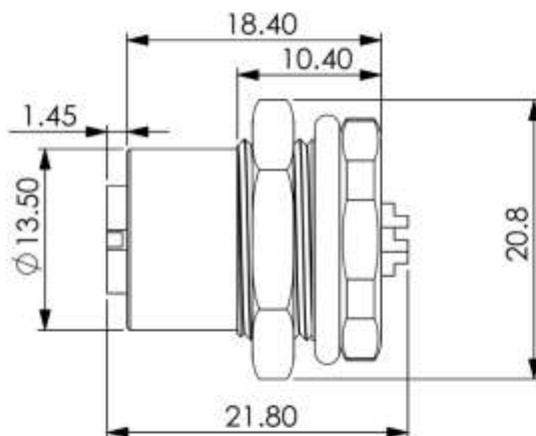
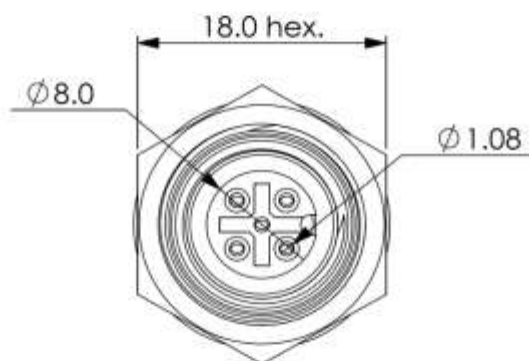
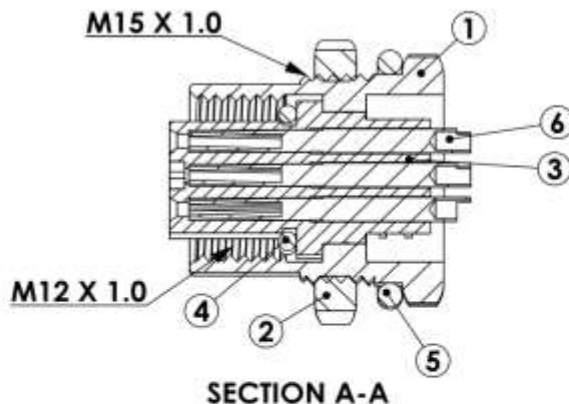
一般公差
.X +/-0.25
.XX +/-0.10

SHEET:
1
1

單位: mm
unit: mm
比例: 2:1
scale:

日期: '07/01/23
date:
版本: V. 1.0
version:

繪圖: DanielShyr
drwn by:
核准: SkyShyr
apprvd by:



No.	Description	Material	Treat	Q'ty
1	JPF Shell Cover	Brass	Nickel Ptd.	1
2	JPF Screw Nut	Brass	Nickel Ptd.	1
3	5P Housing	PBT+GF5%		1
4	Rubber Ring	NBR		1
5	JPF Ring	NBR		1
6	Terminals	Brass	Gold Ptd.	5

俞昌有限公司
YEU TSANG CO. LTD.

品名: 5P M12 WATER TIGHT JACK
ITEM: PANEL MOUNT FRONT SCREW ON
料號: WP1205JPF
圖號: []
PART NO: []
DRW NO: []



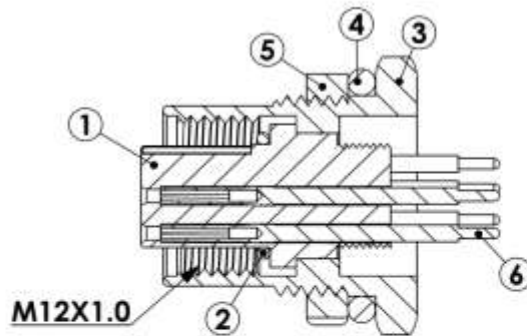
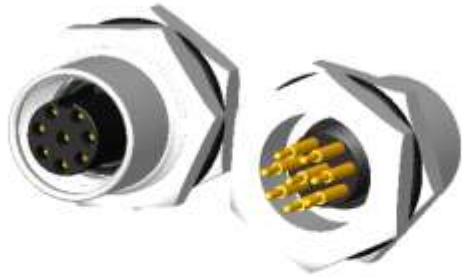
一般公差
X +/-0.25
XX +/-0.10

SHEET:
1
1

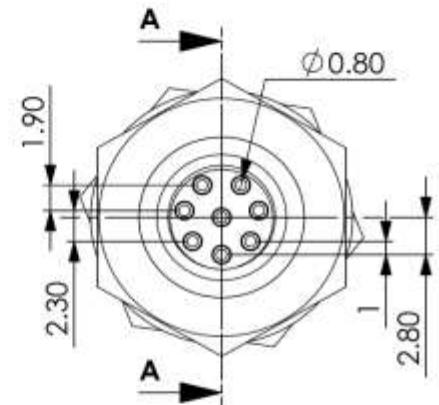
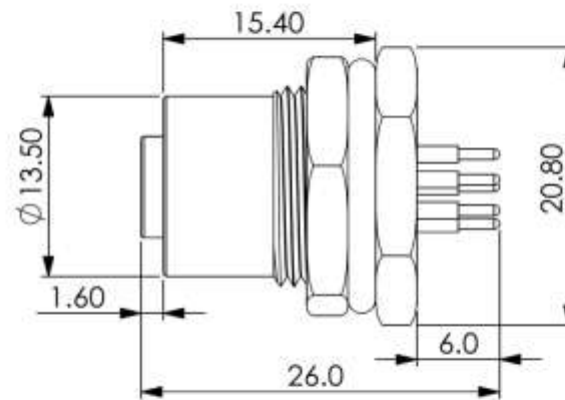
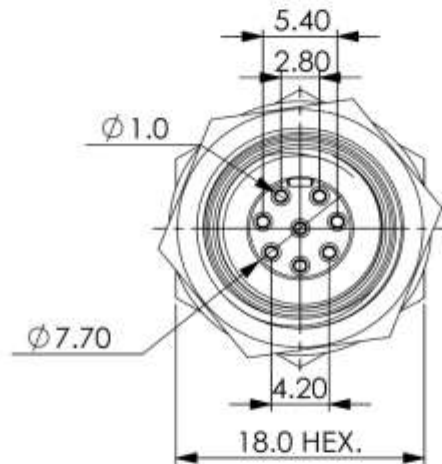
單位: mm
unit: mm
比例: 2:1
scale: 2:1

日期: '07/01/23
date: '07/01/23
版本: V. 1.0
version: V. 1.0

繪圖: DanielShyr
drwn by: DanielShyr
核准: SkyShyr
aprvld by: SkyShyr



SECTION A-A SCALE: 2 : 1



No.	Description	Material	Treat	Q'ty
1	Housing	PBT+GF30%		1
2	Inner Ring	NBR		1
3	Shield Cover	Brass	Nickel Ptd.	1
4	Outer Ring	NBR		1
5	Screw Nut	Brass	Nickel Ptd.	1
6	Terminals	Brass	Gold Ptd.	8

俞昌有限公司
YEU TSANG CO. LTD.

品名: 8P M12 WATER TIGHT JACK PANEL MOUNT
ITEM :
料號: WP1208JP
PART NO:

圖號:
DRW NO.



一般公差
.X +/-0.25
.XX +/-0.10

SHEET:
1
1

單位: mm
unit:
比例: 2:1
scale:

日期: '08/03/04
date:
版本: V. 1.0
version:

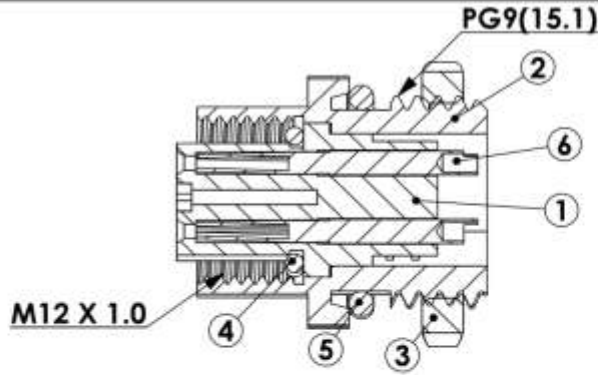
繪圖: DanielShyr
drwn by:

核准: SkyShyr
aprvid by:

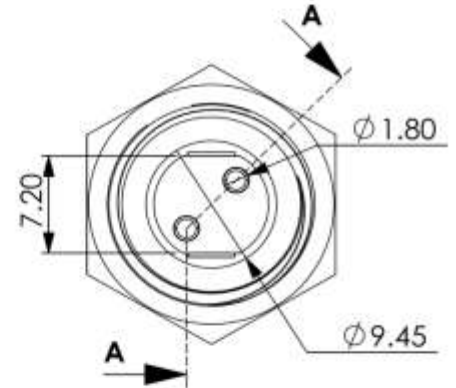
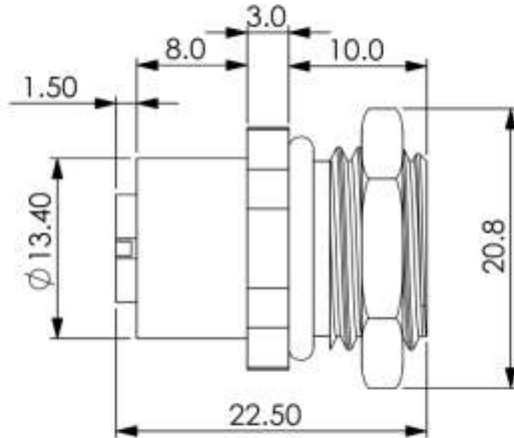
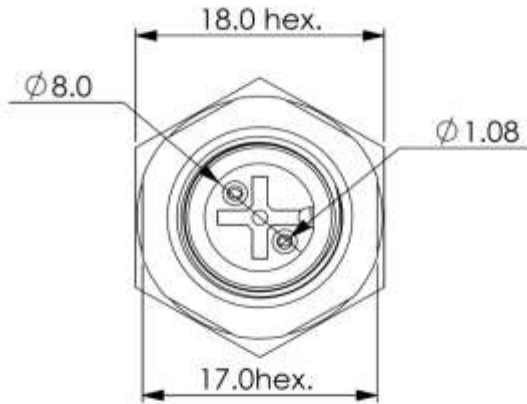
WATERPROOF CONNECTORS

- **IP67 M12 FEMALE SOCKETS**
- **2.3.4.5 PINS**
- **PANEL REAR MOUNT**
- **WP1202JPR**
- **WP1203JPR**
- **WP1204JPR**
- **WP1205JPR**





SECTION A-A



No.	Description	Material	Treat	Q'ty
1	1202J Housing	PBT+GF15%		1
2	Shell Cover	Brass	Nickel Ptd.	1
3	JPR Screw Nut	Brass	Nickel Ptd.	1
4	Rubber Ring	NBR		1
5	Rubber Ring A	NBR		1
6	Terminals	Brass	Gold Ptd.	2

俞昌有限公司
YEU TSANG CO. LTD.

品名: 2P M12 WATER TIGHT JACK
ITEM : PANEL MOUNT REAR SCREW ON
料號: WP1202JPR
PART NO

圖號:
DRW NO.



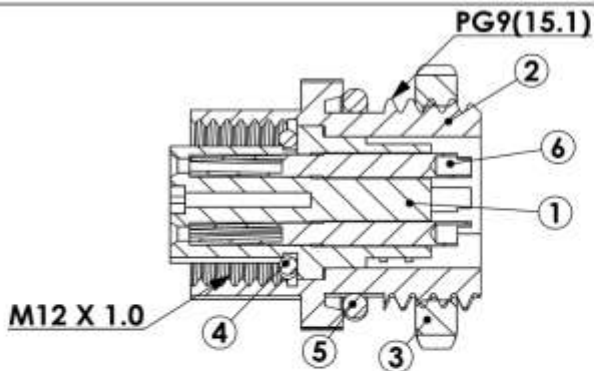
一般公差
.X ± 0.25
.XX ± 0.10

SHEET:
1
1

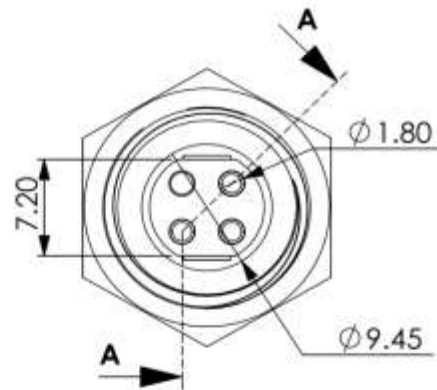
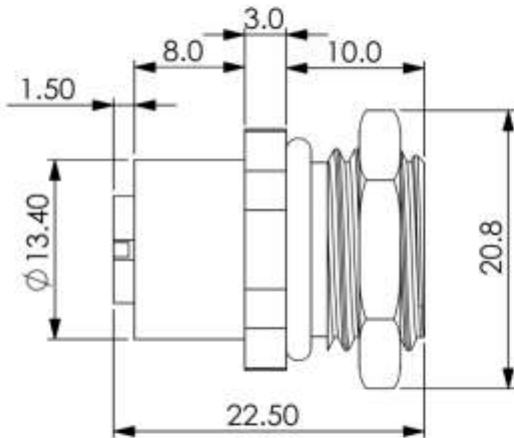
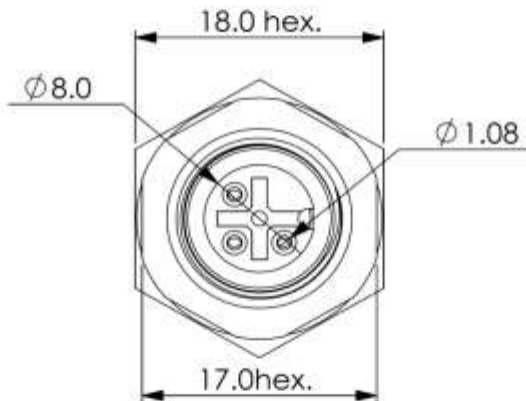
單位: mm
unit: mm
比例: 2:1
scale:

日期: '07/01/23
date:
版本: V. 1.0
version:

繪圖: DanielShyr
drwn by:
核准: SkyShyr
aprvid by:



SECTION A-A



No.	Description	Material	Treat	Q'ty
1	3P Housing	PBT+GF15%		1
2	Shell Cover	Brass	Nickel Ptd.	1
3	JPR Screw Nut	Brass	Nickel Ptd.	1
4	Rubber Ring	NBR		1
5	Rubber Ring A	NBR		1
6	Terminals	Brass	Gold Ptd.	3

俞昌有限公司
YEU TSANG CO. LTD.

品名: 3P M12 WATER TIGHT JACK
ITEM: PANEL MOUNT REAR SCREW ON
料號: WP1203JPR
PART NO:
圖號:
DRW NO.



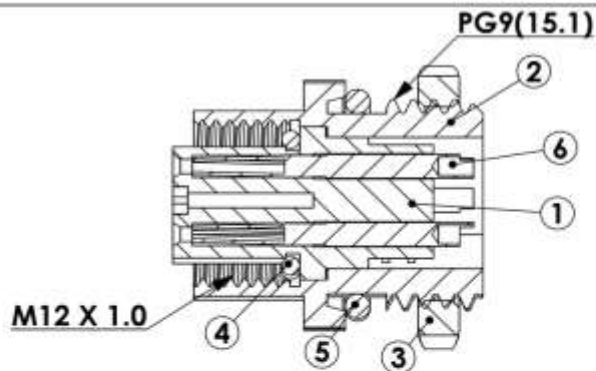
一般公差
.X +/-0.25
.XX +/-0.10

SHEET:
1
1

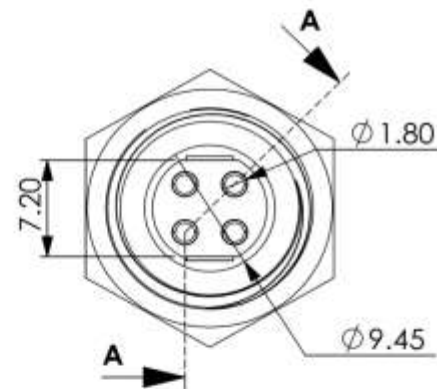
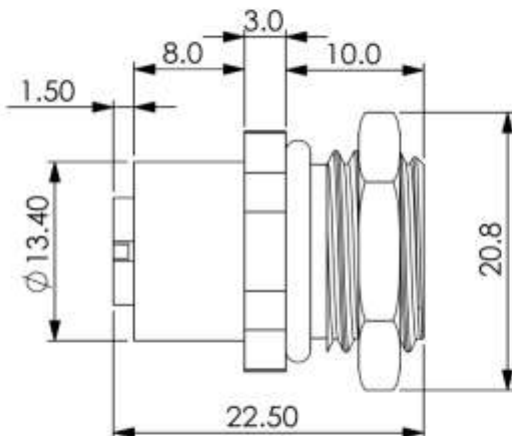
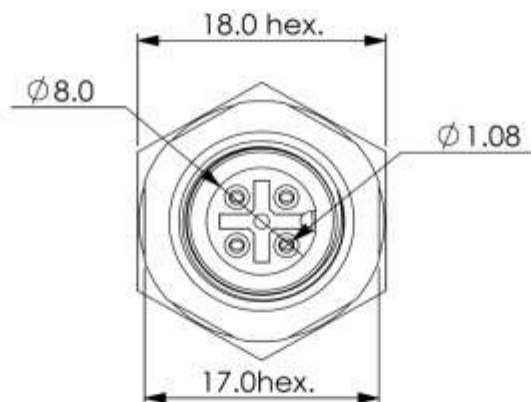
單位: mm
unit:
比例: 2:1
scale:

日期: '07/01/23
date:
版本: V. 1.0
version:

繪圖: DanielShyr
drwn by:
核准: SkyShyr
aprvid by:



SECTION A-A



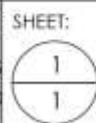
No.	Description	Material	Treat	Q'ty
1	1204J Housing	PBT+GF15%		1
2	Shell Cover	Brass	Nickel Ptd.	1
3	JPR Screw Nut	Brass	Nickel Ptd.	1
4	Rubber Ring	NBR		1
5	Rubber Ring A	NBR		1
6	Terminals	Brass	Gold Ptd.	4

俞昌有限公司
YEU TSANG CO. LTD.

品名: 4P M12 WATER TIGHT JACK
ITEM : PANEL MOUNT REAR SCREW ON
料號: WP1204JPR
PART NO



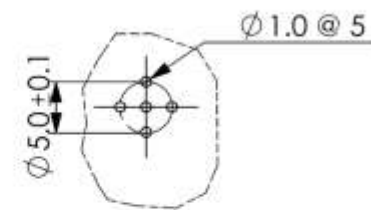
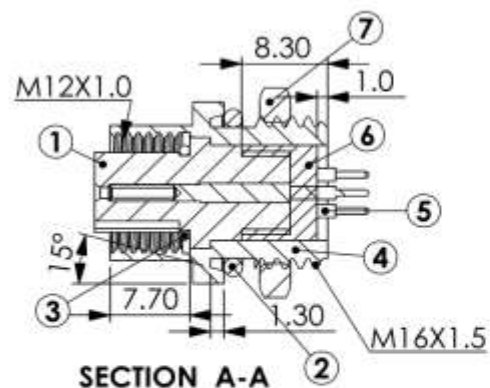
一般公差
.X ± 0.25
.XX ± 0.10



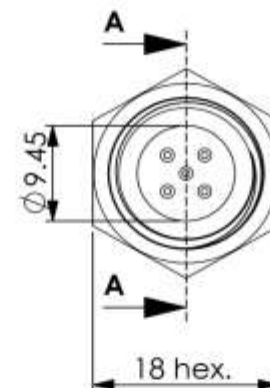
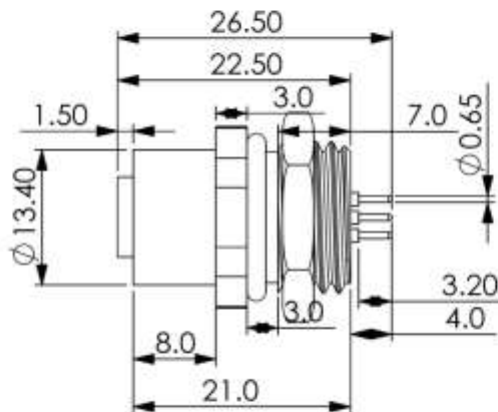
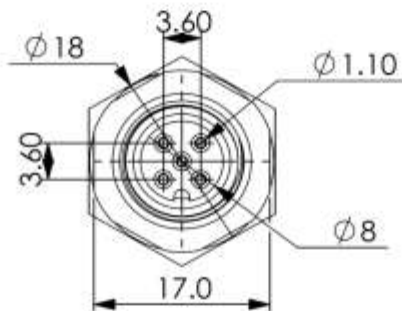
單位: mm
unit: mm
比例: 2:1
scale:

日期: '07/01/23
date:
版本: V. 1.0
version:

繪圖: DanielShyr
drwn by:
核准: SkyShyr
aprld by:



LAYOUT DIMENSIONS



No.	Description	Material	Treat	Q'ty
1	Housing	Thermoplastic		1
2	Rubber Ring A	NBR		1
3	Rubber Ring B	NBR		1
4	Shell Cover	Brass	Nickel Ptd.	1
5	Terminals	Brass	Gold Ptd.	5
6	YGLUE	5339A/B		1
7	JPF Screw Nut	Brass	Nickel Ptd.	1

SPECIFICATION :

CURRENT : 2A

INSULATION RESISTANCE :

1000MΩ min.

DIELECTRIC STRENGTH :

500V AC min.

俞昌有限公司 YEU TSANG CO. LTD.	品名: ITEM :	5P M12 WATER TIGHT SOCKET PANEL MOUNT			一般公差	SHEET: 	單位: unit:	mm	日期: date:	'07/01/23	繪圖: drwn by:	DanielShyr
	料號: PART NO.	WP1205JPR	圖號: DRW NO.				.X +/-0.25 .XX +/-0.10	比例: scale:	3 : 2	版本: version:	V. 1.0	核准: aprvld by: