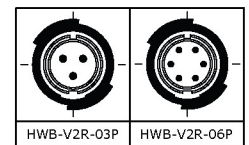


## Specifications:

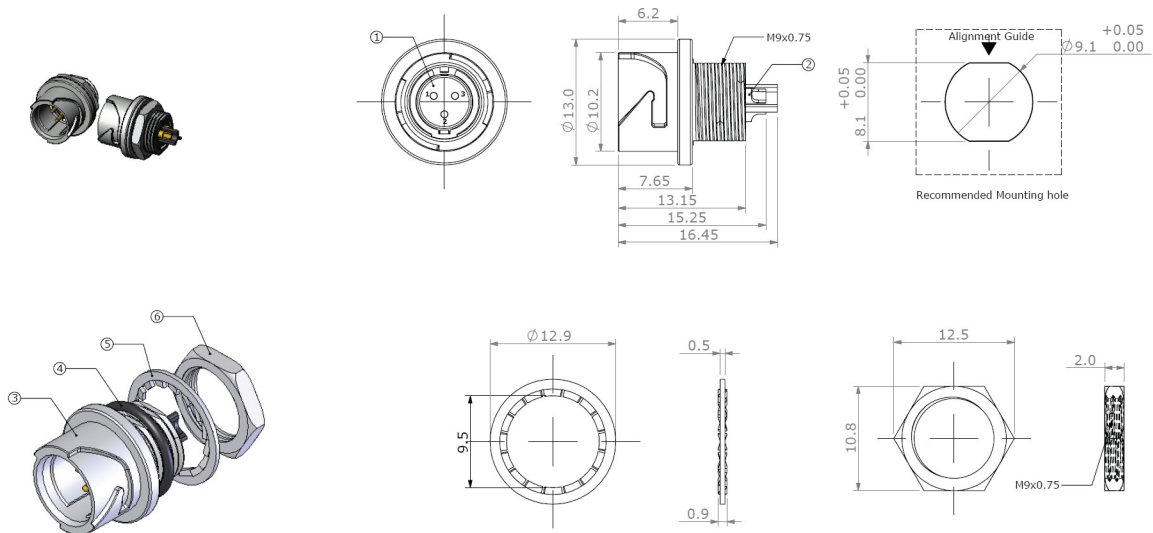
No. of Contacts	3, 6
Withstanding Voltage	AC 125V DC 175V/3P AC 30V DC 42V/6P
Current Rating	5A/3P, 2A/6P
Insulation Resistance	MIN. 1000Mohm
Contact Resistance	MAX. 15mohm



- Note 1. The contact arrangement shown here is the front view of the connector  
 2. The withstanding voltage shown here is test voltage value.  
 3. The insulation resistance value is measured at DC 500V.  
 4. The contact resistance value is measured at DC 1A.



## Mechanical drawing:



6	Screw Nut	Brass	Nickel Ptd.	1
5	Washer	Phosphor Bronze	Nickel Ptd.	1
4	O-Ring	EPDM	Black	1
3	Receptacle Shell	Zn Alloy	Nickel Ptd.	1
2	3P Terminals	Brass	Gold Flash	3
1	3P Housing	PPS	Black	1
No.	Description	Material	Treat	Q'ty

俞昌有限公司 <b>YEU TSANG CO. LTD.</b>	品名:	3P HWB V2R RECEPTACLE MALE	Tolerance: .X +/-0.25 .XX +/-0.10	SHEET: 1	單位:	mm	日期:	'12/05/15	繪圖:	DanielShyr
	料號:	HWB-V2R-03P			圖號:	圖號:	比例:	2:1	版本:	V. 1.0

COPYRIGHT BY YEU TSANG

Initial	Date
---------	------

tolerance X: ±0.5 mm .X: ±0.25 mm .XX: ±0.10 mm  
 applicable unless otherwise indicated in specification or on drawings