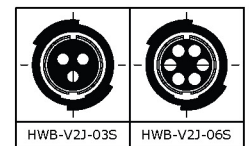


Specifications:

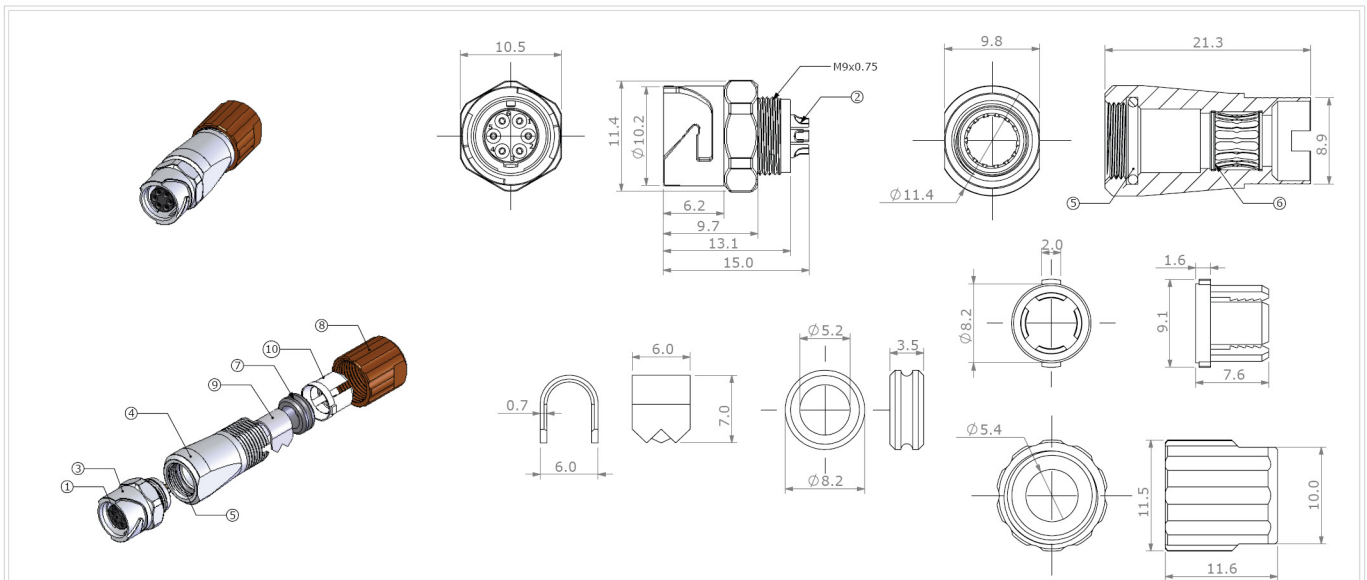
No. of Contacts	3 , 6
Withstanding Voltage	AC 125V DC 175V/3P AC 30V DC 42V/6P
Current Rating	5A/3P , 2A/6P
Insulation Resistance	MIN. 1000Mohm
Contact Resistance	MAX. 15mohm



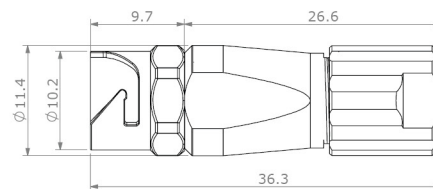
- Note 1. The contact arrangement shown here is the front view of the connector
 2. The withstanding voltage shown here is test voltage value.
 3. The insulation resistance value is measured at DC 500V.
 4. The contact resistance value is measured at DC 1A.



Mechanical drawing:



No.	Description	Material	Treat	Q'ty
10	Strain Relief Collar	PA66	White	1
9	Cramp	Brass	Nickel Ptd.	1
8	Tightening Collar	PPS	Brown	1
7	Seal Bushing	NBR	Black	1
6	Shield Spring	Phosphor Bronze	Nickel Ptd.	1
5	O-Ring 2	EPDM		1
4	Back Shell	Zn Alloy	Nickel Ptd.	1
3	WBJ Shell	Zn Alloy	Nickel Ptd.	1
2	6S Terminals	Phosphor Bronze	Gold Flash	6
1	6S Housing	PPS	Black	1



俞昌有限公司 YEU TSANG CO. LTD.	品名: ITEM :	6P HWB V2J FEMALE		Tolerance: .X +/-0.25 .XX +/-0.10	SHEET: 1	單位: unit:	mm	日期: date:	'12/05/08	繪圖: drwn by:	DanielShyr
	料號: PART NO.	HWB-V2J-06S	圖號: DRW NO.				比例: scale:	2 : 1	版本: version:	V. 1.0	核准: aprVld by:

COPYRIGHT BY YEU TSANG

Initial	Date
---------	------

tolerance X: ±0.5 mm .X: ±0.25 mm .XX: ±0.10 mm
 applicable unless otherwise indicated in specification or on drawings