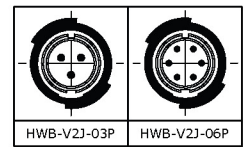


Specifications:

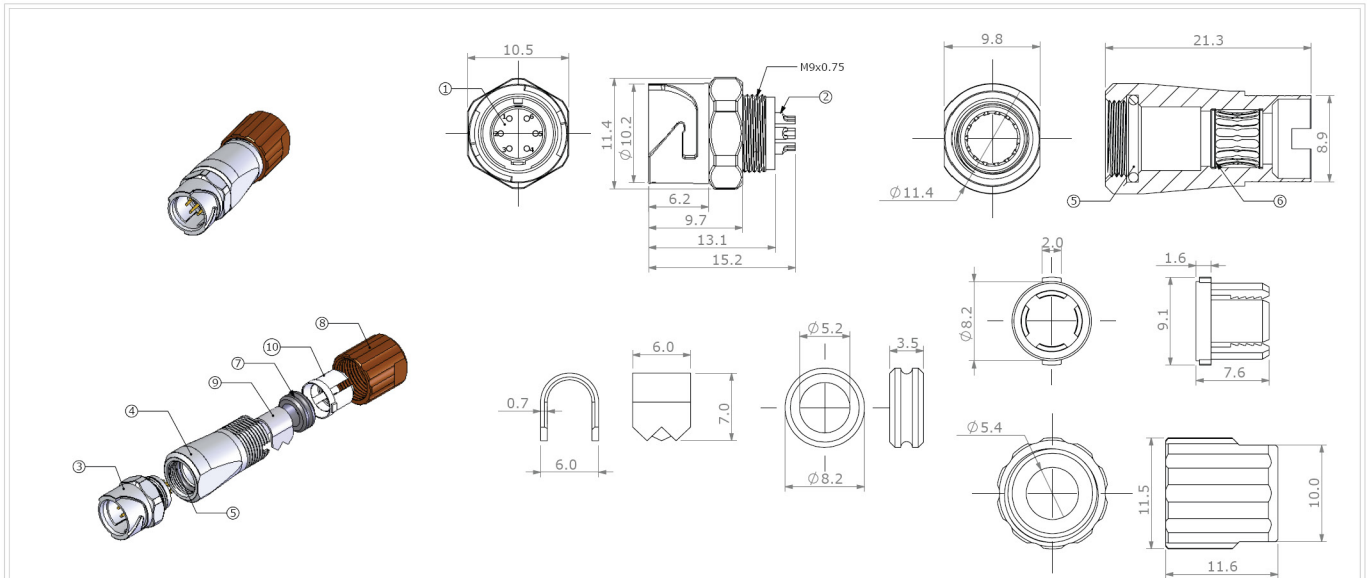
No. of Contacts	3 , 6
Withstanding Voltage	AC 125V DC 175V/3P AC 30V DC 42V/6P
Current Rating	5A/3P , 2A/6P
Insulation Resistance	MIN. 1000Mohm
Contact Resistance	MAX. 15mohm



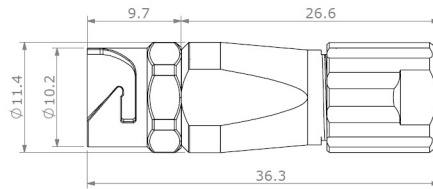
- Note 1. The contact arrangement shown here is the front view of the connector
 2. The withstanding voltage shown here is test voltage value.
 3. The insulation resistance value is measured at DC 500V.
 4. The contact resistance value is measured at DC 1A.



Mechanical drawing:



10	Strain Relief Collar	PA66	White	1
9	Cramp	Brass	Nickel Ptd.	1
8	Tightening Collar	PPS	Brown	1
7	Seal Bushing	NBR	Black	1
6	Shield Spring	Phosphor Bronze	Nickel Ptd.	1
5	O-Ring 2	EPDM		1
4	Back Shell	Zn Alloy	Nickel Ptd.	1
3	WBJ Shell	Zn Alloy	Nickel Ptd.	1
2	6P Terminals	Brass	Gold Flash	6
1	6P Housing	PPS	Black	1
No.	Description	Material	Treat	Q'ty



俞昌有限公司
YEU TSANG CO. LTD.

品名: 6P HWB V2J MALE
 ITEM :
 料號: HWB-V2J-06P
 PART NO.

圖號: DRW NO.



Tolerance: SHEET: 單位: mm 日期: '12/05/08
 .X +/-0.25 1 比例: 2:1 版本: V. 1.0
 .XX +/-0.10 1 核准: aprvld by: SkyShyr

繪圖: DanielShyr
 核准: SkyShyr

COPYRIGHT BY YEU TSANG

Initial Date

tolerance X: ±0.5 mm .X: ±0.25 mm .XX: ±0.10 mm
 applicable unless otherwise indicated in specification or on drawings