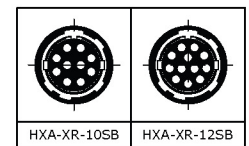


## Specifications:

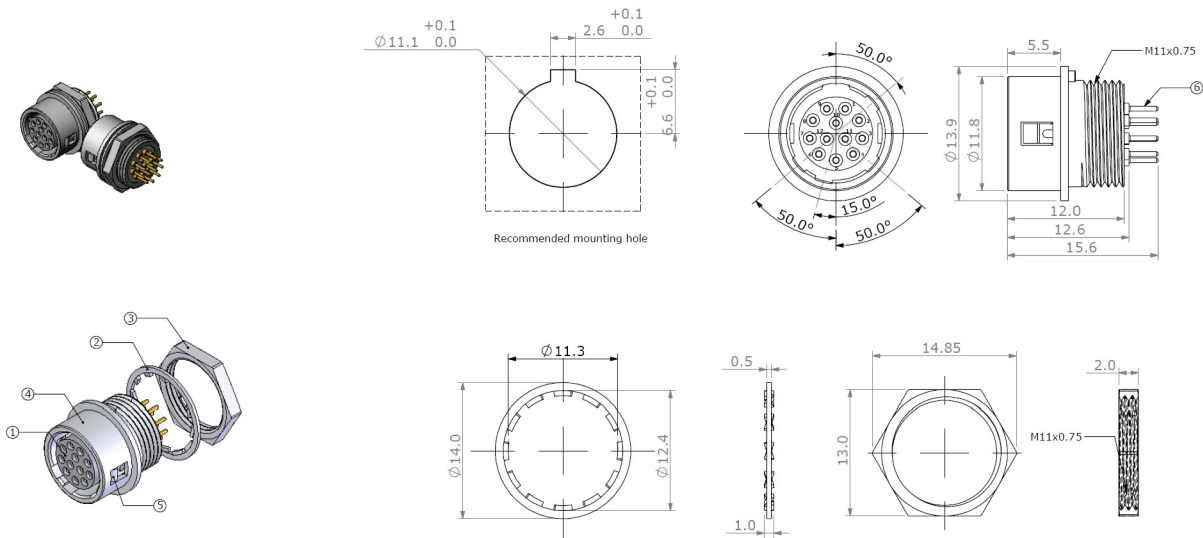
No. of Contacts	10, 12
Withstanding Voltage	AC 300V for a minute
Current Rating	2A
Insulation Resistance	MIN. 1000Mohm
Contact Resistance	MAX. 10mohm



- Note 1. The contact arrangement shown here is the front view of the connector  
 2. The withstanding voltage shown here is test voltage value.  
 3. The insulation resistance value is measured at DC100V.  
 4. The contact resistance value is measured at DC1A.



## Mechanical drawing:



6	SD Terminals	Brass	Gold Flash	12
5	Spring	Stainless		1
4	Receptacle Shell	Zn Alloy	Nickel Ptd.	1
3	Screw Nut	Brass	Nickel Ptd.	1
2	Washer	Phosphor Bronze	Nickel Ptd.	1
1	12S Housing	PA46	Black	1
No.	Description	Material	Treat	Q'ty

俞昌有限公司 <b>YEU TSANG CO. LTD.</b>		品名: 12P HXA XR FEMALE RECEPTACLE ITEM: DIP TYPE		Tolerance: .X $\pm 0.25$ .XX $\pm 0.10$	SHEET: 1/1	單位: mm 比例: 2:1	日期: '12/05/07 版本: V. 1.0	繪圖: DanielShyr 核准: SkyShyr
料號: HXA-XR-12SB PART NO.		圖號: DRW NO.						

COPYRIGHT BY YEU TSANG

Initial	Date
---------	------

tolerance X:  $\pm 0.5$  mm .X:  $\pm 0.25$  mm .XX:  $\pm 0.10$  mm  
 applicable unless otherwise indicated in specification or on drawings