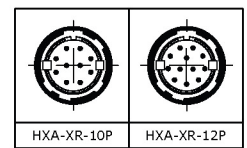


Specifications:

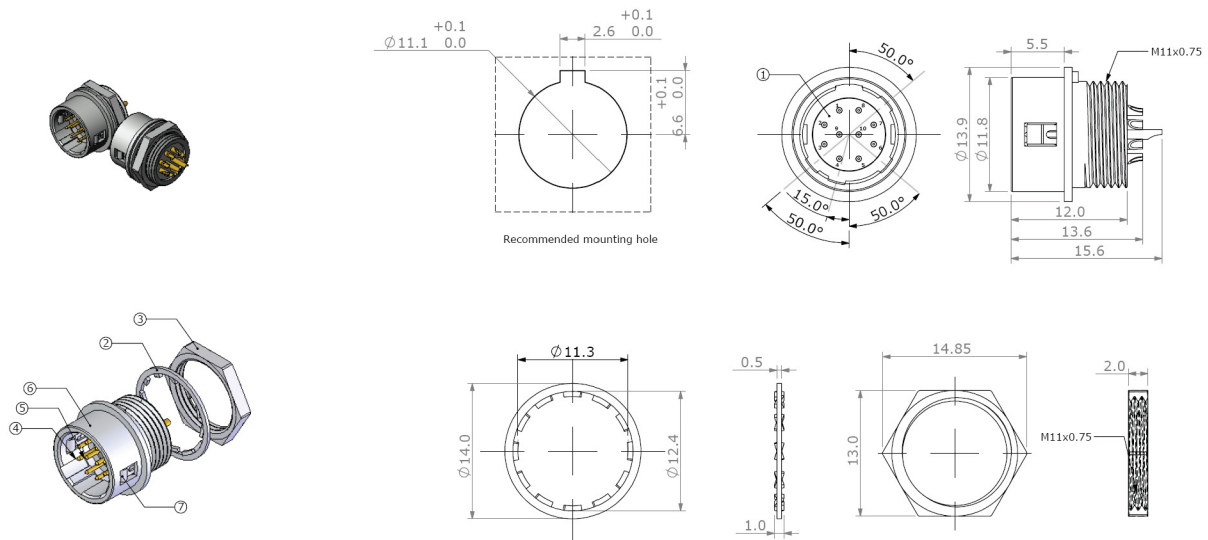
No. of Contacts	10 , 12
Withstanding Voltage	AC 300V for a minute
Current Rating	2A
Insulation Resistance	MIN. 1000Mohm
Contact Resistance	MAX. 10mohm



- Note 1. The contact arrangement shown here is the front view of the connector
 2. The withstanding voltage shown here is test voltage value.
 3. The insulation resistance value is measured at DC100V.
 4. The contact resistance value is measured at DC1A.



Mechanical drawing:



7	Spring	Stainless		1
6	Receptacle Shell	Zn Alloy	Nickel Ptd.	1
5	P2 Terminals	Brass	Gold Flash	2
4	P1 Terminals	Brass	Gold Flash	8
3	Screw Nut	Brass	Nickel Ptd.	1
2	Washer	Phosphor Bronze	Nickel Ptd.	1
1	10P Housing	PA46	Black	1
No.	Description	Material	Treat	Q'ty

俞昌有限公司 YEU TSANG CO. LTD.		品名: ITEM : 10P HXA XR MALE RECEPTACLE		Tolerance: .X +/-0.25 .XX +/-0.10	SHEET: 	單位: unit: mm	日期: date: '12/05/07	繪圖: drwn by: DanielShyr
		料號: PART NO. HXA-XR-10P	圖號: DRW NO.			比例: scale: 2 : 1	版本: version: V. 1.0	核准: aprvid by: SkyShyr

COPYRIGHT BY YEU TSANG

Initial	Date
---------	------

tolerance X: ±0.5 mm .X: ±0.25 mm .XX: ±0.10 mm
 applicable unless otherwise indicated in specification or on drawings