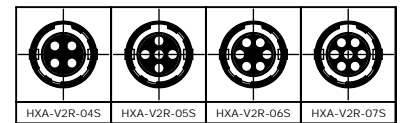


## Specifications:

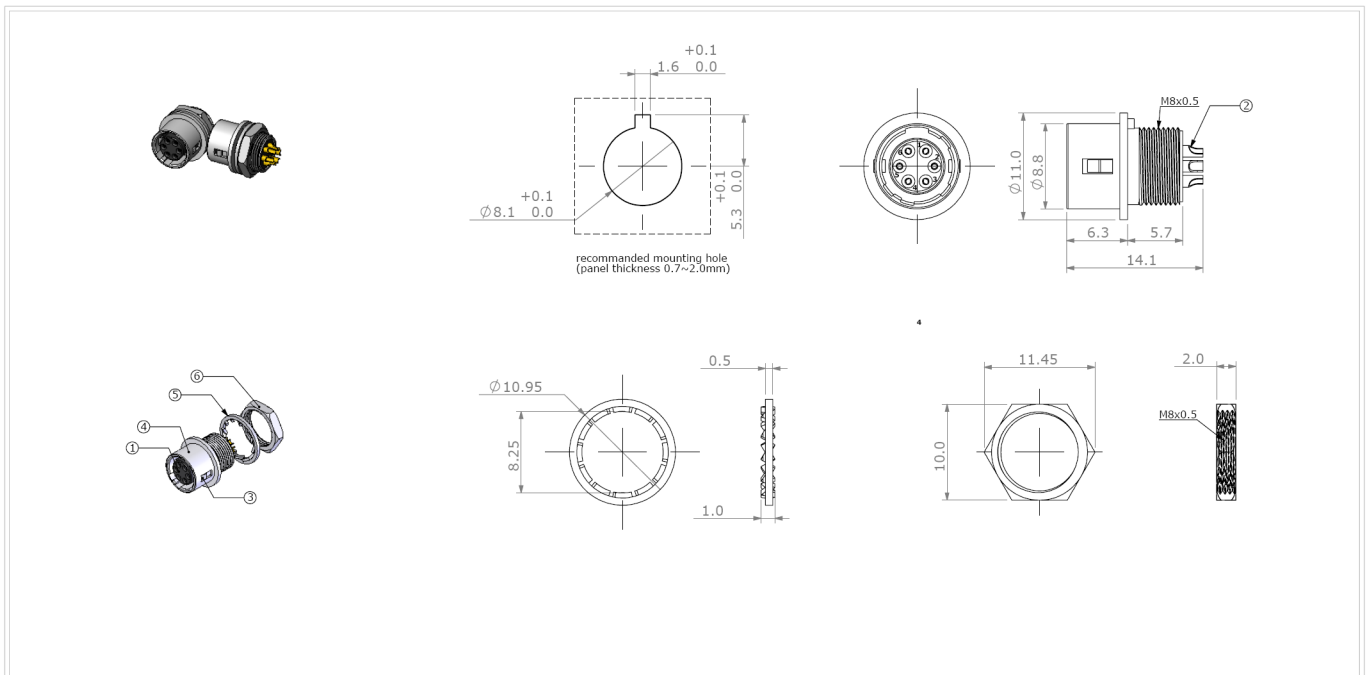
|                       |                      |
|-----------------------|----------------------|
| No. of Contacts       | 4, 5, 6, 7           |
| Withstanding Voltage  | AC 300V for a minute |
| Current Rating        | 2A                   |
| Insulation Resistance | MIN. 1000Mohm        |
| Contact Resistance    | MAX. 10mohm          |



- Note 1. The contact arrangement shown here is the front view of the connector  
 2. The withstanding voltage shown here is test voltage value.  
 3. The insulation resistance value is measured at DC100V.  
 4. The contact resistance value is measured at DC1A.



## Mechanical drawing:



| 6   | Screw Nut        | Brass           | Nickel Ptd. | 1    |
|-----|------------------|-----------------|-------------|------|
| 5   | Washer           | Phosphor Bronze | Nickel Ptd. | 1    |
| 4   | Receptacal Shell | Zn Alloy        | Nickel Ptd. | 1    |
| 3   | Spring           | Stainless       |             | 1    |
| 2   | Terminals        | Brass           | Gold Flash  | 6    |
| 1   | 6S Housing       | PA46            | Black       | 1    |
| No. | Description      | Material        | Treat       | Q'ty |

|                                     |                 |                                     |                |                                         |                  |              |               |              |                 |                 |                  |
|-------------------------------------|-----------------|-------------------------------------|----------------|-----------------------------------------|------------------|--------------|---------------|--------------|-----------------|-----------------|------------------|
| 俞昌有限公司<br><b>YEU TSANG CO. LTD.</b> | 品名:<br>ITEM :   | <b>6P HXA V2R FEMALE RECEPTACLE</b> |                | Tolerance:<br>.X +/-0.25<br>.XX +/-0.10 | SHEET:<br>1<br>1 | 單位:<br>unit: | mm            | 日期:<br>date: | '12/03/22       | 繪圖:<br>drwn by: | DanielShyr       |
|                                     | 料號:<br>PART NO. | HXA-V2R-06S                         | 圖號:<br>DRW NO. |                                         |                  |              | 比例:<br>scale: | 2 : 1        | 版本:<br>version: | V. 1.0          | 核准:<br>aprld by: |

COPYRIGHT BY YEU TSANG

|         |      |
|---------|------|
| Initial | Date |
|---------|------|

tolerance X: ±0.5 mm .X: ±0.25 mm .XX: ±0.10 mm  
 applicable unless otherwise indicated in specification or on drawings