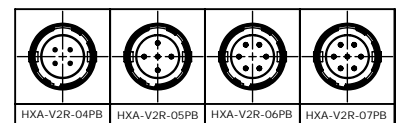


## Specifications:

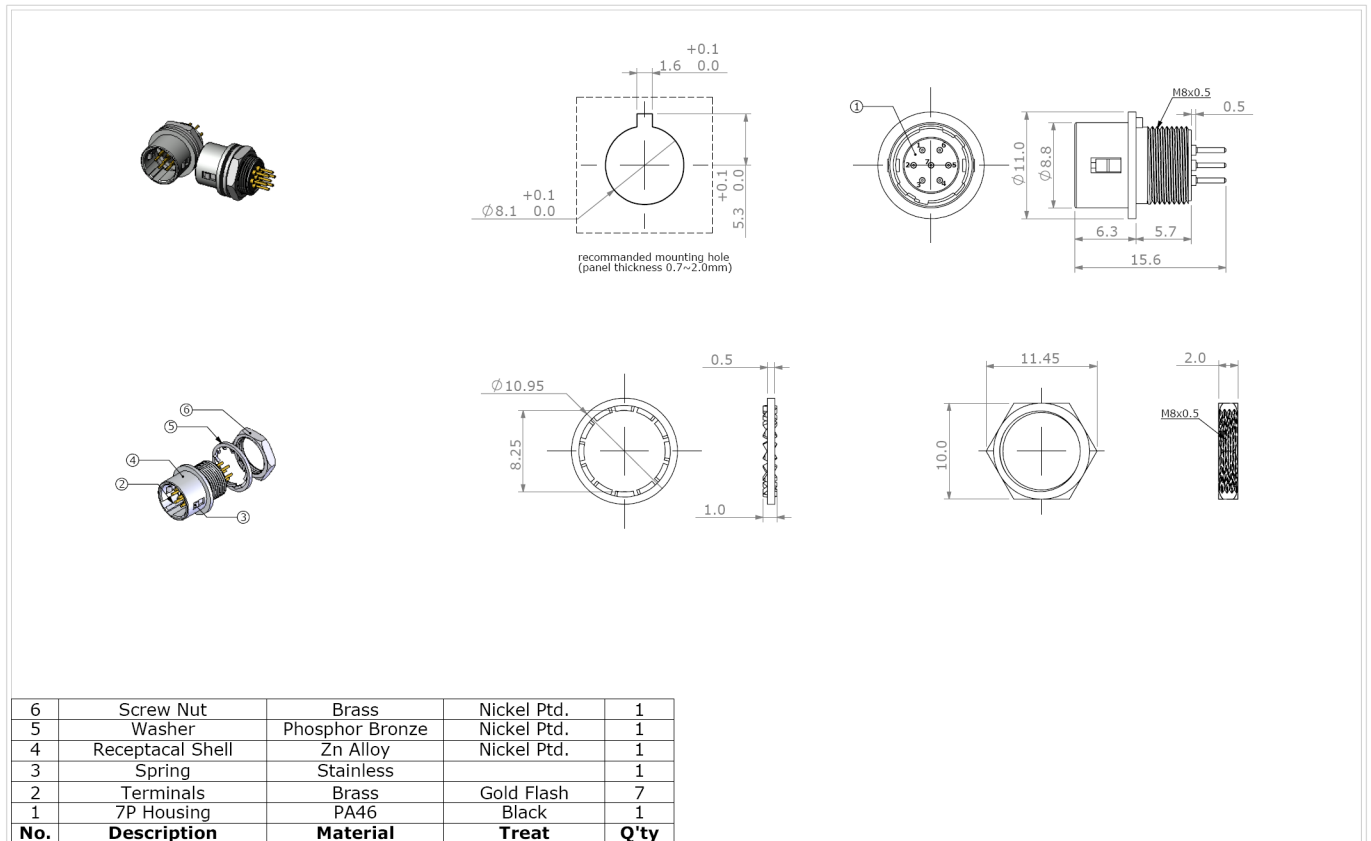
No. of Contacts	4, 5, 6, 7
Withstanding Voltage	AC 300V for a minute
Current Rating	2A
Insulation Resistance	MIN. 1000Mohm
Contact Resistance	MAX. 10mohm



- Note 1. The contact arrangement shown here is the front view of the connector  
 2. The withstanding voltage shown here is test voltage value.  
 3. The insulation resistance value is measured at DC100V.  
 4. The contact resistance value is measured at DC1A.



## Mechanical drawing:



6	Screw Nut	Brass	Nickel Ptd.	1
5	Washer	Phosphor Bronze	Nickel Ptd.	1
4	Receptacal Shell	Zn Alloy	Nickel Ptd.	1
3	Spring	Stainless		1
2	Terminals	Brass	Gold Flash	7
1	7P Housing	PA46	Black	1
No.	Description	Material	Treat	Q'ty

俞昌有限公司 <b>YEU TSANG CO. LTD.</b>		品名: ITEM : 7P HXA V2R MALE RECEPTACLE DIP TYPE 料號: PART NO. HXA-V2R-07PB	圖號: DRW NO.	Tolerance: .X +/-0.25 .XX +/-0.10	SHEET: 1 1	單位: unit: mm 比例: scale: 2:1	日期: date: '12/03/22 版本: version: V. 1.0	繪圖: drwn by: DanielShyr 核准: aprvld by: SkyShyr
-------------------------------------	--	--	----------------	---	------------------	--------------------------------------	--	---

COPYRIGHT BY YEU TSANG

Initial	Date
---------	------

tolerance X: ±0.5 mm .X: ±0.25 mm .XX: ±0.10 mm  
 applicable unless otherwise indicated in specification or on drawings