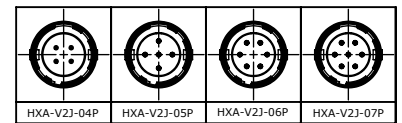


Specifications:

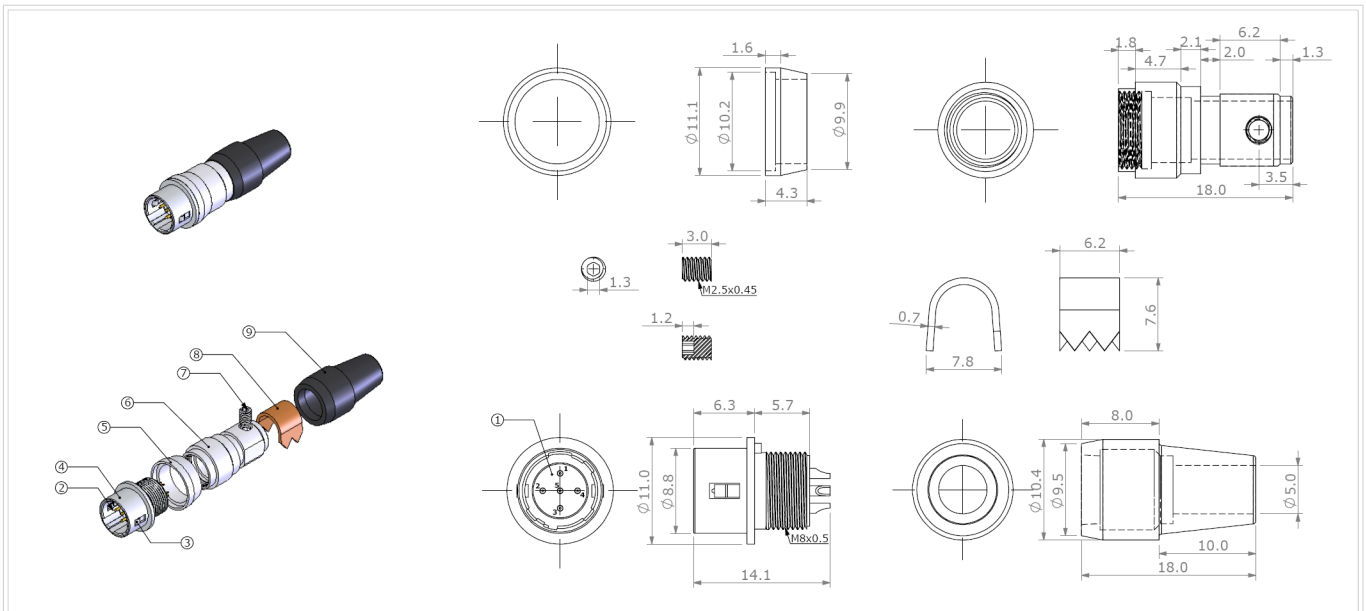
No. of Contacts	4, 5, 6, 7
Withstanding Voltage	AC 300V for a minute
Current Rating	2A
Insulation Resistance	MIN. 1000Mohm
Contact Resistance	MAX. 10mohm



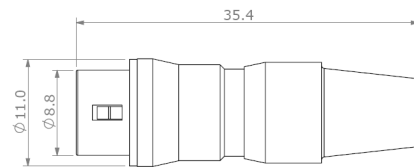
- Note 1. The contact arrangement shown here is the front view of the connector
 2. The withstanding voltage shown here is test voltage value.
 3. The insulation resistance value is measured at DC100V.
 4. The contact resistance value is measured at DC1A.



Mechanical drawing:



9	Strain Relief	NBR	Black	1
8	Cramp	Copper		1
7	Screw	Steel	Nickel Ptd.	1
6	Jack Shell	Brass	Nickel Ptd.	1
5	7J Shell	Brass	Nickel Ptd.	1
4	Receptacle Shell	Zn Alloy	Nickel Ptd.	1
3	Spring	Stainless		1
2	Terminals	Brass	Gold Flash	5
1	5P Housing	PA46	Black	1
No.	Description	Material	Treat	Q'ty



俞昌有限公司 YEU TSANG CO. LTD.	品名: 5P HXA V2J MALE	Tolerance: .X +/-0.25 .XX +/-0.10	SHEET: 1 1	單位: mm	日期: '12/03/22	繪圖: DanielShyr
	料號: HXA-V2J-05P			圖號: DRW NO.	比例: 2:1	版本: V. 1.0

COPYRIGHT BY YEU TSANG

Initial	Date
---------	------

tolerance X: ±0.5 mm .X: ±0.25 mm .XX: ±0.10 mm
 applicable unless otherwise indicated in specification or on drawings