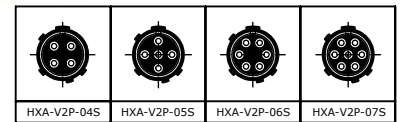


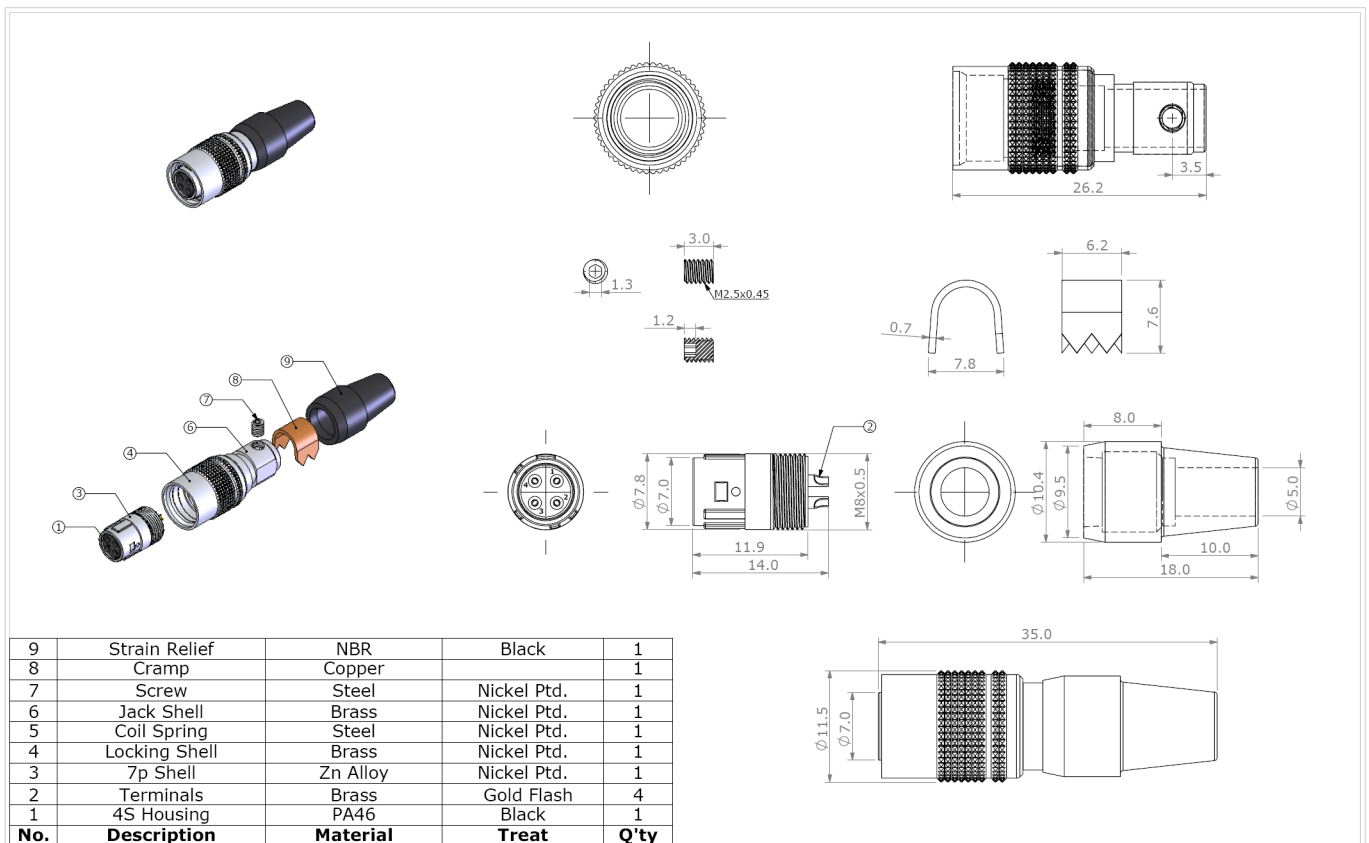
Specifications:

No. of Contacts	4, 5, 6, 7
Withstanding Voltage	AC 500V for a minute
Current Rating	2A
Insulation Resistance	MIN. 1000Mohm
Contact Resistance	MAX. 10mohm

- Note 1. The contact arrangement shown here is the front view of the connector
 2. The withstanding voltage shown here is test voltage value.
 3. The insulation resistance value is measured at DC100V.
 4. The contact resistance value is measured at DC1A.



Mechanical drawing:



No.	Description	Material	Treat	Q'ty
9	Strain Relief	NBR	Black	1
8	Cramp	Copper		1
7	Screw	Steel	Nickel Ptd.	1
6	Jack Shell	Brass	Nickel Ptd.	1
5	Coil Spring	Steel	Nickel Ptd.	1
4	Locking Shell	Brass	Nickel Ptd.	1
3	7p Shell	Zn Alloy	Nickel Ptd.	1
2	Terminals	Brass	Gold Flash	4
1	4S Housing	PA46	Black	1

俞昌有限公司 YEU TSANG CO. LTD.		品名: ITEM :	4P HXA V2P FEMALE		Tolerance: .X +/-0.25 .XX +/-0.10	SHEET: 1 1	單位: unit:	mm	日期: date:	'12/03/22	繪圖: drwn by:	DanielShyr
料號: PART NO.	HXA-V2P-04S	圖號: DRW NO.		比例: scale:			2:1	版本: version:	V. 1.0	核准: aprvid by:	SkyShyr	

COPYRIGHT BY YEU TSANG

Initial	Date
---------	------

tolerance X: ±0.5 mm .X: ±0.25 mm .XX: ±0.10 mm
 applicable unless otherwise indicated in specification or on drawings