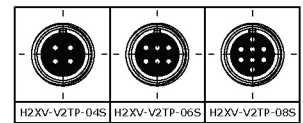


Specifications:

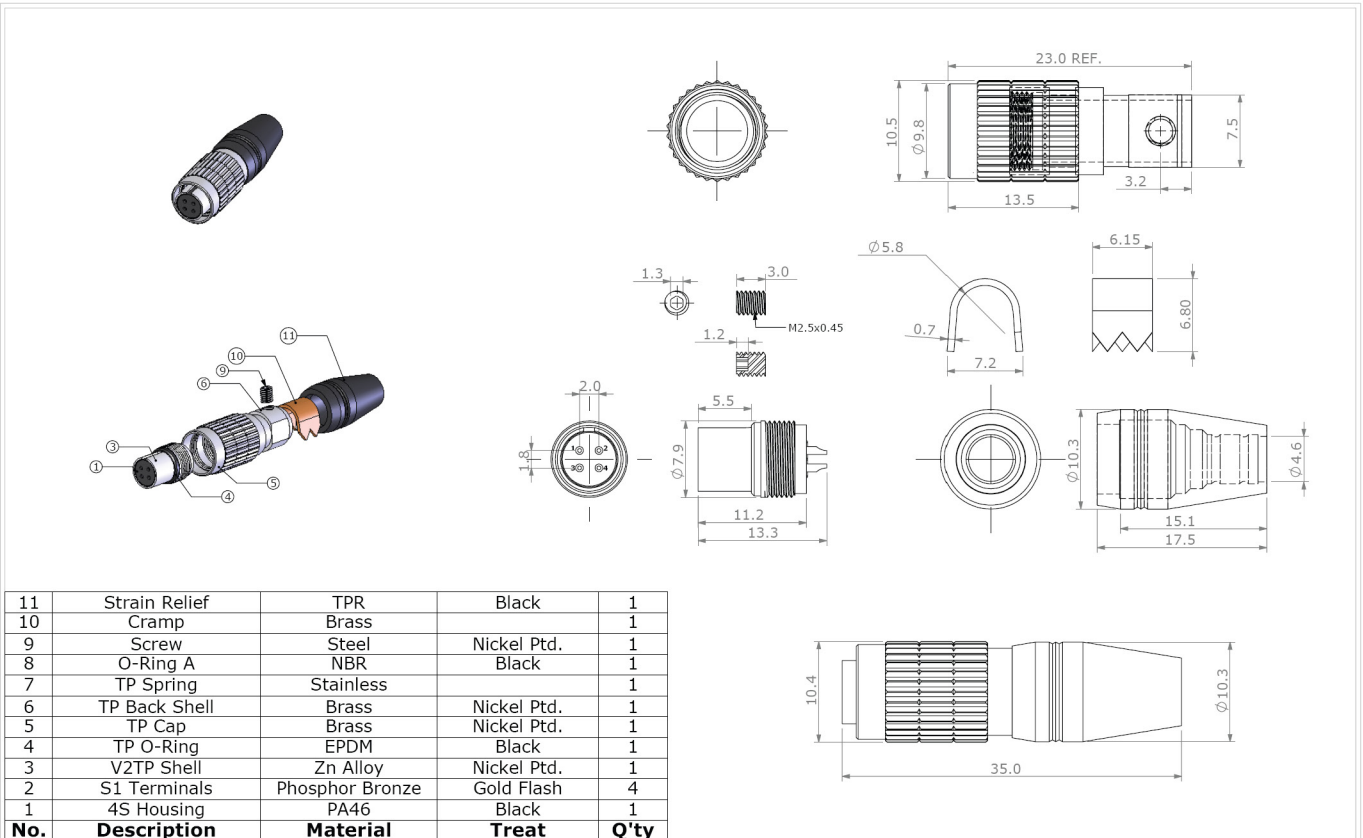
No. of Contacts	4 , 6 , 8
Withstanding Voltage	AC 300V for a minute
Current Rating	1A
Insulation Resistance	MIN. 1000Mohm
Contact Resistance	MAX. 30mohm



- Note 1. The contact arrangement shown here is the front view of the connector
 2. For regular used the voltage should be less than 30V AC or 42V DC.
 3. The insulation resistance value is measured at DC100V.



Mechanical drawing:



No.	Description	Material	Treat	Q'ty
11	Strain Relief	TPR	Black	1
10	Cramp	Brass		1
9	Screw	Steel	Nickel Ptd.	1
8	O-Ring A	NBR	Black	1
7	TP Spring	Stainless		1
6	TP Back Shell	Brass	Nickel Ptd.	1
5	TP Cap	Brass	Nickel Ptd.	1
4	TP O-Ring	EPDM	Black	1
3	V2TP Shell	Zn Alloy	Nickel Ptd.	1
2	S1 Terminals	Phosphor Bronze	Gold Flash	4
1	4S Housing	PA46	Black	1

俞昌有限公司 YEU TSANG CO. LTD.	品名: 4P H2XV V2TP FEMALE		Tolerance: .X +/-0.25	SHEET: 1	單位: mm	日期: '12/05/15	繪圖: DanielShyr
	料號: H2XV-V2TP-04S		圖號: DRW NO.	.XX +/-0.10	1	比例: 2:1	版本: V. 1.0

COPYRIGHT BY YEU TSANG

Initial _____ Date _____

tolerance X: ±0.5 mm .X: ±0.25 mm .XX: ±0.10 mm
 applicable unless otherwise indicated in specification or on drawings