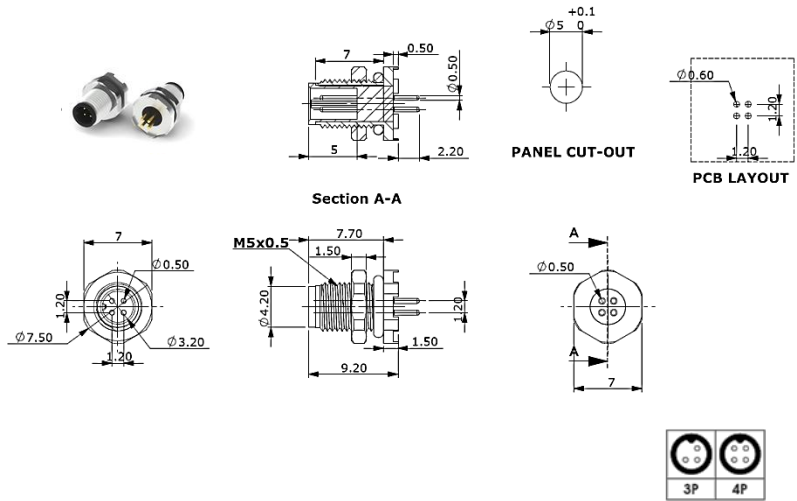


WP050XPPFD M5 WATERTIGHT MALE PANEL FRONT MOUNT DIP TYPE



SPECIFICATION

Part No.	WP0503PPFD	WP0504PPFD
Number of contacts	3P	4P
Locking system	Screw locking (M5x0.5P)	
Termination	DIP	
Wire Gauge	--	
Degree of Protection	IP67	
Upper Temperature	85°C	
Lower Temperature	-20°C	
Rated Voltage	60V	
Rated current(40°C)	1A	
Contact Resistance	≤ 3mΩ	
Material of contact	Brass (Gold plated)	
Material of Housing	PUR	
Material of screw nut & shield	Brass (Satin Nickel plated)	
Material of O-Ring	NBR	