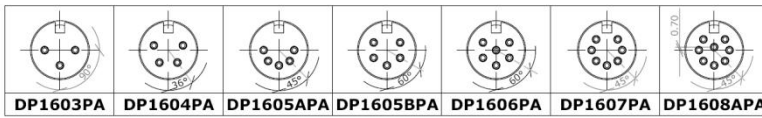
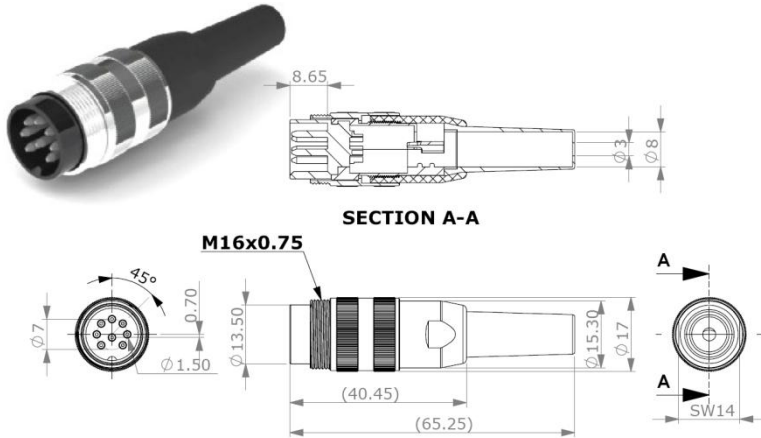


DP160XPA IP40 DIN CABLE PLUG SCREW LOCKING



MATERIAL :

1. HOUSING HOLDER : Zn ALLOY NICKEL PTD.
2. STRAIN BOOT : TPR
3. SET SCREW : STEEL NICKEL PTD.
4. SCREW CAP: BRASS NICKEL PTD.
5. SHELL: PA6
6. CABLE HOLDER : STEEL NICKEL PTD.
7. HOUSING : PA66
8. TERMINALS : BRASS SILVER PTD.

SPECIFICATION :

Rating : 100V AC 5A max.

Contact Resistance :

Pins 30mΩ max.

Shell 50mΩ max.

Insulation Resistance :

100MΩ at 500V DC min.

Protection degree : IP40

Cable outlet : 3~6mm / 6~8mm

