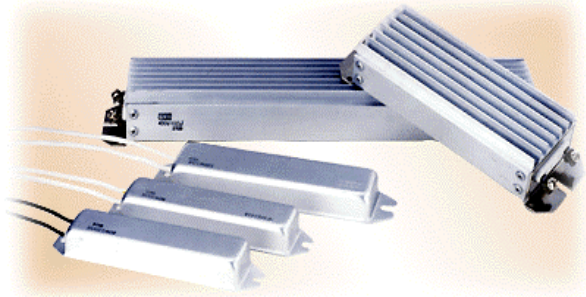
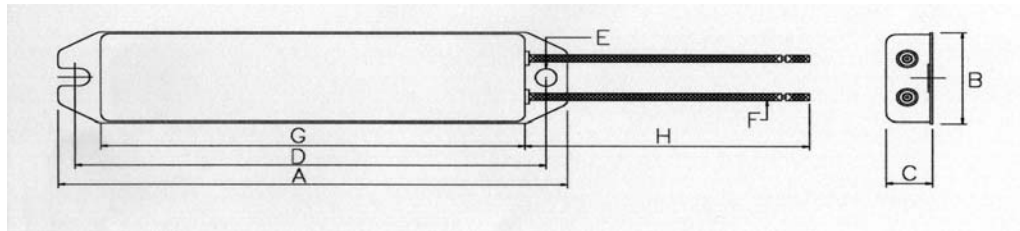


## AL 系列电阻器



铝壳电阻器、系由弹簧合金电阻体与成形铝壳之组合，经高温阳极处理后，再以特殊不燃性耐水泥充填，待阴干、再藉由高温处理固定绝缘而成。由于整个电阻器都被耐热水泥充填固定，不怕外来之机械力量与尘埃环境，不但功率大且坚固、耐震、散热良好，电阻温度系数小、呈直线变化，其变通性佳多重组合选择、更方便使用者安装。适用于产业机械、负载测试、电力分配、仪器设备、自动控制装置...等，若需特殊规格型式，请与我们联系。

### ASQ TYPE 电力型铝壳线绕电阻器



POWER RATING	DIMENSIONS 寸法 (mm)									RESISTANCE RANGE ( $\Omega$ )
	A	B	C	D	E	F	G	H	Weight	
60W	100	30	13	90	4.5	0.75mm <sup>2</sup>	75	400	66/g	2-2.0K $\Omega$
80W	150	34	21	140	5	0.75mm <sup>2</sup>	125	400	170/g	3-2.5K $\Omega$
120W	182	42	21	172	6	0.75mm <sup>2</sup>	150	400	175/g	4-4.0K $\Omega$
220W	230	63	18	215	6.0	0.75mm <sup>2</sup>	200	400		6-4.0K $\Omega$

### PERFORMANCE SPECIFICATIONS

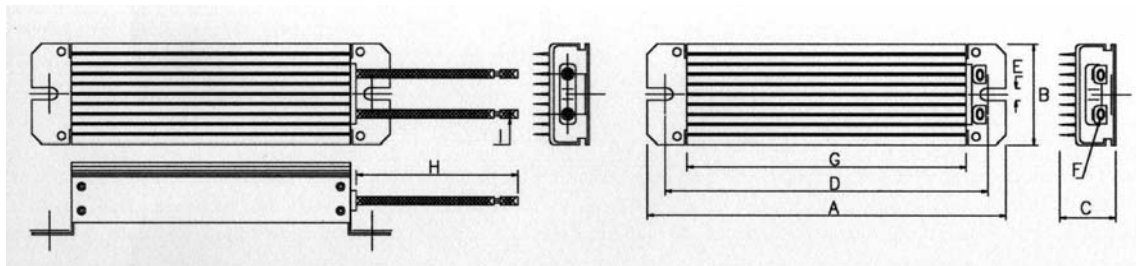
项目 TEST ITEM	试验方法 TEST METHODS	性能 CHARACTERISTICS	Remark
电阻值容许误差 Resistance tolerance	JIS-C-5202 5-1	Tolerance resistance $\pm 10\%$ (K)	
电阻温度特性 Temperature coefficient	JIS-C-5202 5-2	$\pm 200$ PPM/ $^{\circ}$ C MAX	ETC
定格负荷 Power rating load	JIS-C-5202 5-4	$\Delta R/R \leq \pm (0.5\% + 0.1\Omega)$ Surface temperature up 350 $^{\circ}$ C MAX	
短时间过负荷 Short-term overload	JIS-C-5202 5-5 1000% rated power 5 seconds	Free of appearance or structural irregularity $\Delta R/R \leq \pm (2\% + 0.1\Omega)$	
绝缘抵抗 Insulation resistance	JIS-C-5202 5-6 1000VDC	100M $\Omega$ min	ETC
耐电压 Dielectric withstanding voltage	JIS-C-5202 5-7 2000VDC 1 minute	Free of appearance or structural irregularity $\Delta R/R \leq \pm (0.1\% + 0.05\Omega)$	ETC
端子强度 Terminal strength	JIS-C-5202 6-1 8kg 30 seconds	Free of appearance or structural irregularity	ETC
电阻器强度 Resistor strength	JIS-C-5202 6-2 30kg 30 seconds	Free of appearance or structural irregularity	ETC
耐振性 Vibration	JIS-C-5202 6-3 1.5m/m 10 ~ 50 ~ 10 Hz/min X-Y-Z 2 hours each	Free of appearance or structural irregularity $\Delta R/R \leq \pm (1\% + 0.05\Omega)$	ETC
热冲击 Thermal shock	JIS-C-5202 7-3 Room temp 30 minutes ON-55 $^{\circ}$ C 15 minutes OFF	Resistor free of structural irregularity Crack of silicon cement surface $\Delta R/R \leq \pm (2\% + 0.1\Omega)$	
耐湿性 Humidity	JIS-C-5202 7-5 40 $^{\circ}$ C 90%RH 240 hours	Free of appearance or structural irregularity $\Delta R/R \leq \pm (3\% + 0.1\Omega)$	ETC
耐久性 Load life	JIS-C-5202 7-10 90 minutes ON - 30 minutes OFF 500 hours	Free of appearance or structural irregularity Discoloration of marking $\Delta R/R \leq \pm (3\% + 0.1\Omega)$	
难燃性 Flame retardation	JIS-C-5202 7-13-3-2 100% - 600% rated power load	US UL-94 flame retardation test V-0 grade noncombustible	
备注 REMARKS	1. Items noted with ETC were tested by Taiwan Electronic Testing Center as shown in report No.ET89T-03-086-C00. 2. Resistance and resistance tolerance were tested in-house with micro resistance meter. 3. Resistor coating refers to UL-certified data provided by supplier.		

### 订货方式

ASQ	80W	120 $\Omega$	K	G	O
↓	↓	↓	↓	↓	↓
成品类别	额定电力(w)	阻抗值( $\Omega$ )	容许误差	组合方式	产品属性
ASQ type	60W~200W	表示阻抗值	J = 阻值误差 $\pm 5\%$ K = 阻值误差 $\pm 10\%$	G ~ 卧式固定	A ~ 特殊要求 O ~ 一般规格

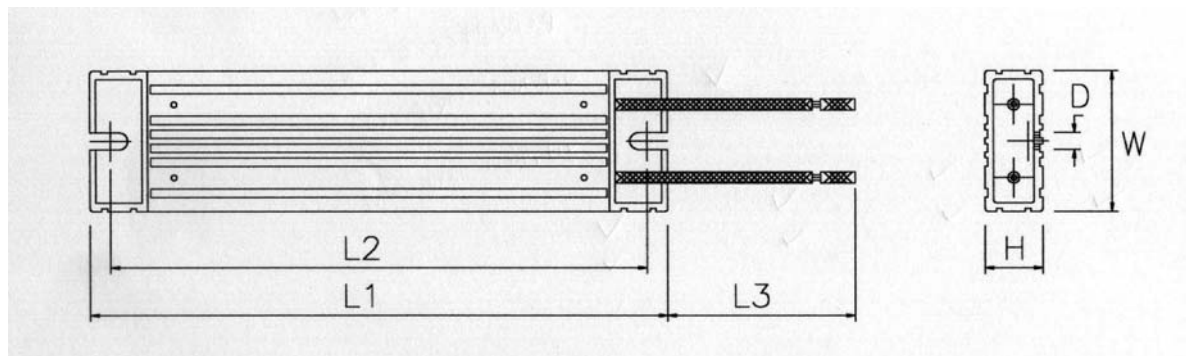
# YESO 电力型铝壳线绕电阻器

## ASH TYPE 电力型铝壳线绕电阻器



POWER RATING	DIMENSIONS 寸法 (m/m)										RESISTANCE RANGE ( $\Omega$ )
	A	B	C	D	E	F	G	H	I	Weight	
200W	200	65	45	185	6	M5x8mm	160	300	2mm <sup>2</sup>	725/g	1 - 6.0K $\Omega$
300W	240	65	45	225	6	M5x8mm	200	300	2mm <sup>2</sup>	890/g	1 - 7.0K $\Omega$
400W	280	65	45	265	6	M5x8mm	240	300	2mm <sup>2</sup>	1050/9	1 - 8.0K $\Omega$
500W	320	65	45	305	6	M5x8mm	280	300	2mm <sup>2</sup>	1170/g	1 - 9.0K $\Omega$
600W	360	65	45	345	6	M5x8mm	320	300	2mm <sup>2</sup>	1295/g	1 - 10K $\Omega$
800W	440	65	45	425	6	M5x8mm	400	300	2mm <sup>2</sup>	1650/g	1 - 10K $\Omega$
1000W	520	65	45	505	6	M5x8mm	480	300	2mm <sup>2</sup>	1935/g	1 - 10K $\Omega$

## ASZ TYPE 电力型铝壳线绕电阻器

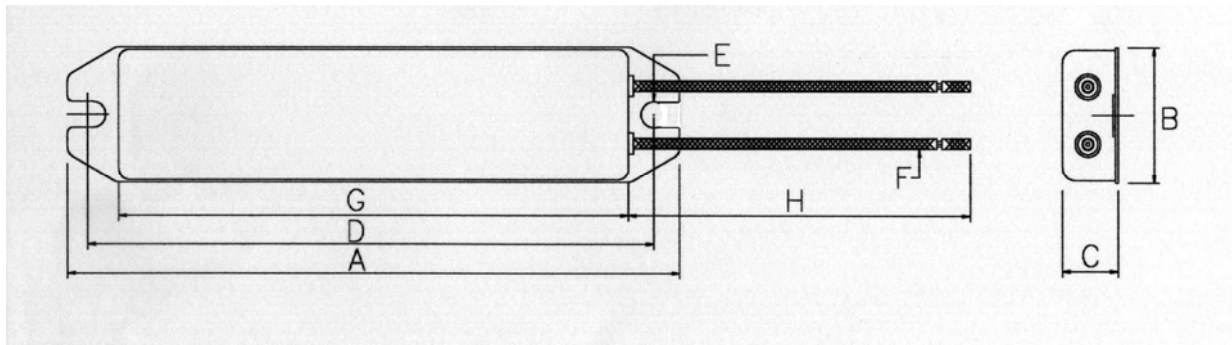


POWER RATING	DIMENSIONS 寸法 (m/m)							RESISTANCE RANGE ( $\Omega$ )
	W $\pm$ 1	H $\pm$ 1	L1 $\pm$ 2	L2 $\pm$ 2	D $\pm$ 0.5	L3 $\pm$ 10	Weight	
60W	40	20	115	100	5.2	200	165/g	2-2K $\Omega$
80W	40	20	140	125	5.2	200	190/g	2-2.5K $\Omega$
100W	40	20	165	150	5.2	200	225/g	2-3K $\Omega$
120W	40	20	190	175	5.2	200	275/g	3-4K $\Omega$
150W	40	20	215	200	5.2	200	310/g	3-5K $\Omega$
200W	60	30	165	150	5.2	300	500/g	3-6K $\Omega$
300W	60	30	215	200	5.2	300	675/g	5-7K $\Omega$
400W	60	30	265	250	5.2	300	850/g	5-8K $\Omega$
600W	60	30	335	320	5.2	300	1070/g	5-9K $\Omega$
800W	60	30	400	385	5.2	300	1250/g	5-10K $\Omega$

### 订货方式

ASH	400W	20 $\Omega$	J	N	O
成品类别	额定电力(w)	阻抗值( $\Omega$ )	容许误差	组合方式	产品属性
ASH type	200W~600W	表示阻抗值	J = 阻值误差 $\pm$ 5%	G ~ 卧式固定	A ~ 特殊要求
ASZ type	60W~800W		K = 阻值误差 $\pm$ 10%	N ~ 无固定架	O ~ 一般规格

## ASS TYPE 电力型铝壳线绕电阻器



POWER RATING	DIMENSIONS 寸法 (m/m)								RESISTANCE RANGE ( $\Omega$ )	
	A	B	C	D	E	F	G	H		Weight
40W	90	30	9	80	4.5	0.75mm <sup>2</sup>	70	400	50/g	2-2.0K $\Omega$
60W	110	30	9	100	4.5	0.75mm <sup>2</sup>	90	400	60/g	3-2.5K $\Omega$

### 訂貨方式

ASS	60W	20 $\Omega$	K	N	O
↓	↓	↓	↓	↓	↓
成品類別	額定電力(w)	阻抗值( $\Omega$ )	容許誤差	組合方式	產品屬性
ASS type	40W~60W	表示阻抗值	J = 阻值誤差 $\pm 5\%$ K = 阻值誤差 $\pm 10\%$	G ~ 臥式固定 N ~ 無固定架	A ~ 特殊要求 O ~ 一般規格