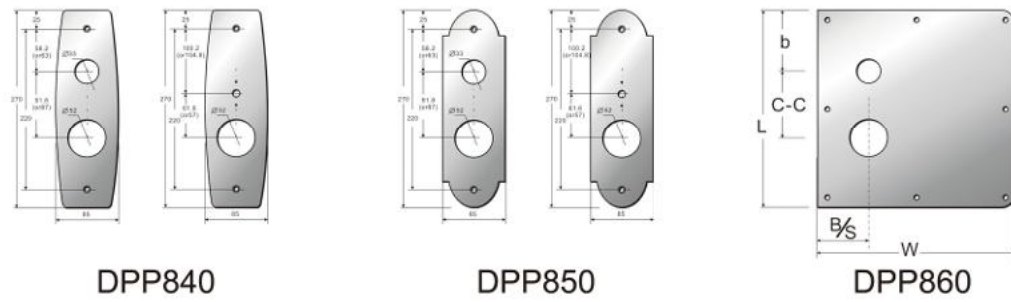
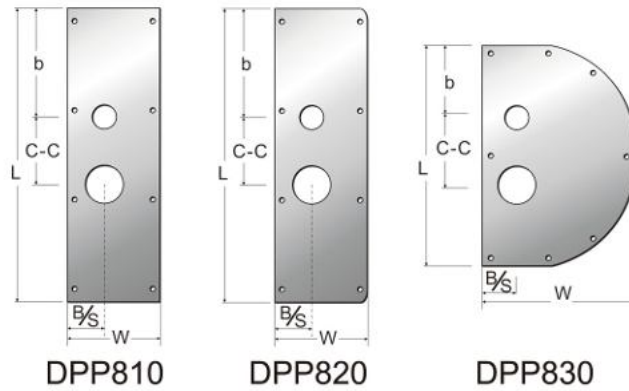


Door Protection Plate

Material: Stainless Steel 304 / 316



Perforations
Luter's Protection Plate can be pierced to accommodate rosette or back plates. For use on Swinging Doors. Prevents Massing of Door surface for covering holes, etc.

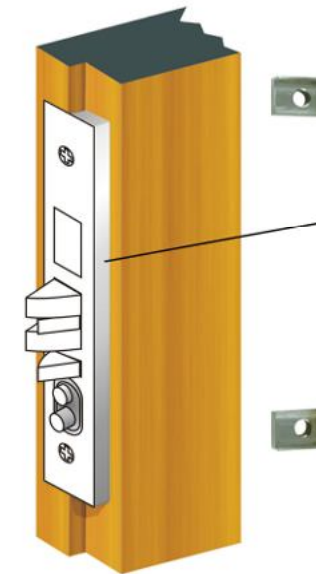


Luter also produces other forms of Protection Plate to customer specification.

*Please send dimensioned drawings or contact us.

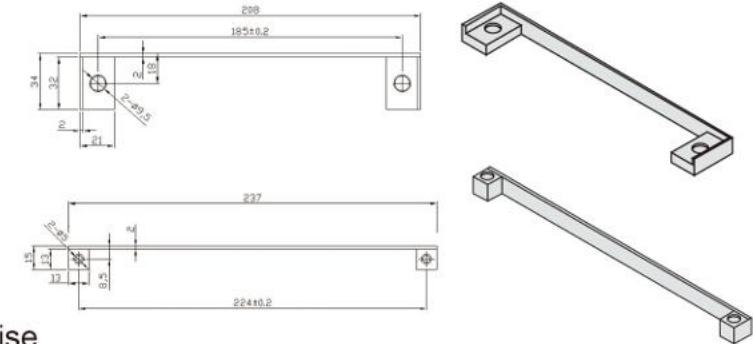
Model No.	L Length (mm)	W Width (mm)	B/S Backset (mm)	C-C Both Center Spacing (mm)	b Spacing (mm)

Rebate Kit



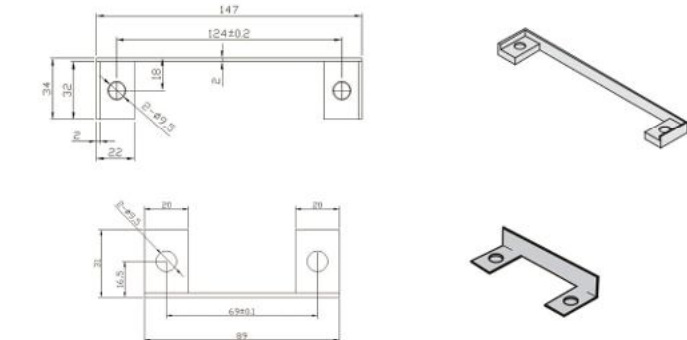
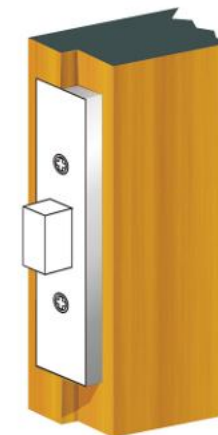
Rebate kits are essential to ensure correct closing on double doors with an overlap (rebate). Measurements are the width of the rebate.

Material : Stainless steel
Finish : US32 , US32D , PVD Coated, US5, US26
Sizes : 208mm (8.19") x 34mm (1.34") x 12.5mm (0.49")
237mm (9.33") x 15mm (0.59") x 13mm (0.51")

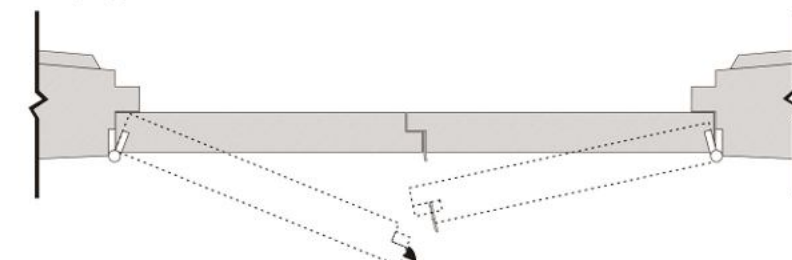


To suit : M800 Series Mortise Lock shown on page 6.

Sizes : 147mm (5.79") x 34mm (1.34") x 12.5mm (0.49")
89mm (3.5") x 31mm (1.22") x 15mm (0.59")



To suit : D810 Mortise Deadbolt shown on page 39.



Suitable for right and left handed timber inward or outward opening doors.