

# Electronic Deadbolt



**Lutér**<sup>®</sup>

[www.luter.com.tw](http://www.luter.com.tw)



## Easy to install and operate

Water proof, can be installed outdoor

Code control: programming code required to add or delete users

Warning sounds after 4 incorrect code attempts;

keypad shuts down for 30 seconds

Low-battery alarm alert signals time to replace batteries



## Typical applications include

**Multi - family housing**

**Interior offices**

**Closets**

**Retail complexes**



One-tool installation  
Use just a screwdriver on pre-prepped door



6-volt battery operation:  
No special wiring required



No key required:  
Keyless entry



Fits most standard door preps:  
No need to drill additional holes





3 Access methods  
pin code, remote  
& mechanical key



Up to 10 remotes  
( 2 included )



Learning code  
remote for multiple-  
door access



Automatic /  
manual locking



Easy to add or  
delete pin code



Low battery alarm  
signal- LED & sound



Up to 10 user  
pin codes

## Convenience

Each family member can choose a personalized code  
Up to 10 active user codes and remote controllers  
Easily provide a user code for temporary access  
Keypad buttons glow in the dark for night time visibility  
Quickly add and delete user codes right at the keypad  
Choose automatic locking or manual locking when door is closed  
Required for (4) AA 1.5V alkaline batteries (not included)

## Specification

Deadbolt :

Full 1" (25mm) throw with hardened steel core bar

Backsets : 2-3/8"(60mm) / 2-3/4" ( 70mm) Adjustable or 60mm & 70mm

Door Thickness : Fits wood or metal doors from 1-3/8"(35mm) to 1-3/4"(45mm) as standard,  
specify door thickness on the order

Handing : Non-handed

Square or radius corner strike plate and latch

IR : Frequency : 38KHz ; Range : 4M ; Degree : +/- 45 degree ; Reaction time : 0.25s

RF : Frequency : 433.92MHz ; Range : 10M ; Reaction time : 0.4s

IT Series : Static Power Supply : 20uA ; Dynamic Power Supply : 330mA ; Average lifetime : 1 year

RT Series : Static Power Supply : 40uA ; Dynamic Power Supply : 400mA ; Average lifetime : 10 months

Setting Requirement : Working temperature : - 20°C ~ 75°C , Humidity ≤ 75%

Remote control conform to FCC (ID Code : OVA-SRC042)

Power Supply : DC6V, use of 4 pieces of AA batteries

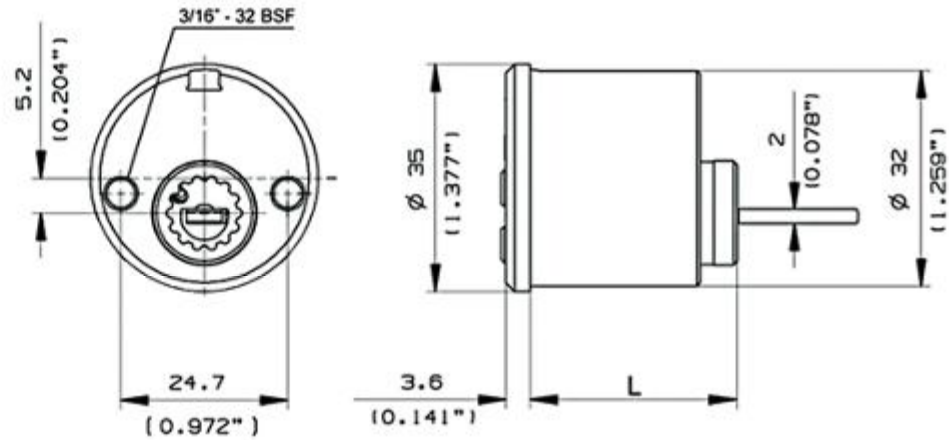




## Cylinders and Keying



MUL-T-LOCK  
Rim 35  
UL437, ISI 950



Removable and rekeyable solid brass 5 Pin tumbler cylinder  
Material : Solid Brass or Zinc Alloy  
Keyway : MUL-T-LOCK, Kaba, Yale, Schlage C,  
Interchangeable Core, or required.

## How to Order



### FINISHES

US3 (Polish Brass),  
US5 (Antique Brass),  
US15 (Satin Nickel),  
US11P (Aged Bronze),  
PVD

### FUNCTION

TP — Touchpad / key  
IT — Touchpad and remote control / key  
RT — Radio Frequency Remote Control &  
Touchpad / key

### SERIES

DC — Material : Exterior Plate --- Zinc Alloy,  
Interior --- Plastic.  
DB — Material : Exterior Plate --- Solid Brass,  
Interior --- Brass / Plastic

Pack : Blister pack, 10pcs blister pack / carton