

**Test Report**  
**No. : TW087-A0-100460**  
**ECE Regulation No.87**



Type : TWF-1900  
Manufacturer : TAIWAN GONG MING HEADLIGHT CO.,LTD.

---

## Test Report

### Agreement

concerning the adoption of uniform technical prescriptions for the wheeled vehicles, equipment and parts which can be fitted and/or be used on wheeled vehicles and the conditions for reciprocal recognition of approvals granted on the basis of these prescriptions

### **Uniform provisions concerning the approval of daytime running lamps for power-driven vehicles**

ECE-Regulation 87

including all amendments until

series of Amendments: 00

supplement 15

dated: December 9, 2010

Approval status	
ECE	Number of approval
	E4-87R-00 0102

**Test Report**  
**No. : TW087-A0-100460**  
**ECE Regulation No.87**



Type : TWF-1900  
Manufacturer : TAIWAN GONG MING HEADLIGHT CO.,LTD.

---

Test object(s) and general test information

Test object(s)

identification number : TWF-1900  
version : Daytime running lamps

General test information

Order issued by  
(if different from manufacturer) : ---  
Test object / test vehicle received  
on : not applicable  
Test date : January 19, 2011  
Test site : AMPA Industries Ltd.  
Tainan, Taiwan R.O.C.  
Remark : ---

Test minutes

Test facilities : The test facilities are in compliance with the requirements of the regulation.

Test results : ~~The type has been examined according to the amendments mentioned in appendix 0.~~ See attached.

~~An actual test of the type was not required. The results of the previous tests are still valid.~~

Temperature/Relative Humidity of laboratory : 23.6° C / 57 %

Markings : The trade mark is marked clearly legible and indelible on the lens ~~and on the housing~~ of the lamp.

The rate voltage and rate wattage of the light source are clearly legible and indelible marked on the housing.

Space for the approval mark and for additional symbols is provided on the lens / ~~housing~~.

**Test Report**  
**No. : TW087-A0-100460**  
**ECE Regulation No.87**



Type : TWF-1900  
Manufacturer : TAIWAN GONG MING HEADLIGHT CO.,LTD.

---

General specifications : The lamps shall be so designed and constructed that in normal use, despite the vibration to which they may then be subjected, they continue to function satisfactorily and retain the characteristics prescribed by this Regulation.

All measurements, photometric and colorimetric, on the lamp equipped with non-replaceable light sources LED (~~filament lamps and others~~) were made at ~~6.75V/13.5V/28.0V~~.

The colour of the light shall be white. It shall be measured under the conditions as prescribed in paragraph 10.

Photometric tests : The light emitted was obtained by means of LED stated in Appendix L-9, ~~producing the required luminous flux.~~

The light intensity was measured after 1 minute burning period and after 30 minutes burning in reference axis. The distribution of the light intensity after 1 minute burning period was calculated using the ratio of the two described measurements. The light intensity and its distribution are in compliance with the requirement after 1 minute burning period and after 30 minutes burning period.

The light distribution angles and levels of intensity have been measured in accordance with Annex 3 of the Regulation, based on the manufacturer's indication of the centre of reference and axis of reference.

Apparent surface : The area of the apparent surface in the direction of the axis of reference of the lamp shall be not less than 25 cm<sup>2</sup> and not more than 200 cm<sup>2</sup>.

Heat resistance test : The lamp was subjected to the heat resistance test according to paragraph 11 of the Regulation.

After the lamp has been stabilized at the ambient temperature, no distortion, deformation, cracking or colour modification shall be perceptible. In case of doubt the intensity of light according to paragraph 7. above shall be measured. At that measurement the values shall reach at least 90 per cent of the values obtained before the heat resistance test on the same device.

**Test Report**  
**No. : TW087-A0-100460**  
**ECE Regulation No.87**



Type : TWF-1900  
 Manufacturer : TAIWAN GONG MING HEADLIGHT CO.,LTD.

Results of photometric tests of the Daytime running lamp RL

distribution of the intensity of the lamps in [cd]								
horizontal angle		L20°	L10°	L5°	V	R5°	R10°	R20°
vertical angle	U10°	-	-	83	106	98	-	-
	U5°	64	133	-	337	-	174	66
sample 1 (LH)	H	107	289	371	449	416	315	111
	D5°	81	204	-	398	-	265	90
vertical angle	U10°	-	-	143	187	164	-	-
	U5°	85	231	-	442	-	286	120
sample 2 (RH)	H	100	330	481	558	503	405	162
	D5°	76	166	-	348	-	189	93

	sample 1	sample 2	allowable maximum	required minimum
maximum intensity [cd]	493	564	1200	400
minimum intensity in the fields defined in annex 1 of the regulation [cd]	48	60	-	1

**Test Report**  
**No. : TW087-A0-100460**  
**ECE Regulation No.87**

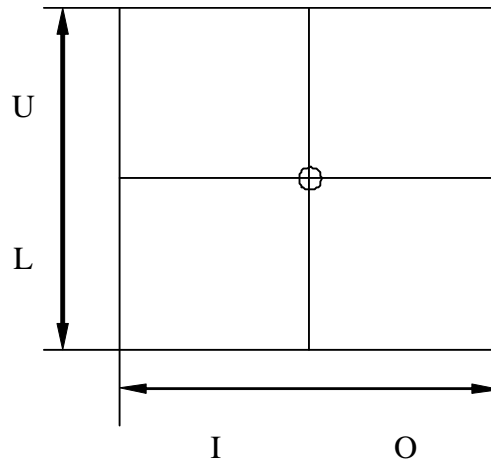


Type : TWF-1900  
 Manufacturer : TAIWAN GONG MING HEADLIGHT CO.,LTD.

Apparent surface : Vertical and horizontal outlines of the apparent surface of the light-signalling device in relation to the centre of reference.

Definition of the illuminating surface of the device

⊕ centre of reference



function	upper boundary (U) [mm]	lower boundary (L) [mm]	Inner boundary (I) [mm]	Outer boundary (O) [mm]
Daytime running lamp	8.4	8.4	85.88	85.88

Explanatory note : Not applicable

**Test Report**  
**No. : TW087-A0-100460**  
**ECE Regulation No.87**



Type : TWF-1900  
Manufacturer : TAIWAN GONG MING HEADLIGHT CO.,LTD.

---

Remark concerning tested object(s)

All versions of the lamps as stated in the information document are covered with the tested version(s) and test object(s) respectively.

Appendices

- L Technical information about the lamp type according to Annex 2 for the communication of the ECE-type approval
- 0 List of modifications : Not attached
- 1 Information folder no. : TWF-1900-00

Statement of conformity

The information folder and the type described there comply with the requirements in the above mentioned ~~directive~~ regulation.

The technical report (including appendix L) consists of pages 1 to 7 and shall not be reproduced except in full without the written approval of the testing laboratory.

Certification Number: RDW-99050016

Taipei, March 08, 2011  
IFM/#



Cronus Huang  
Engineer

**Test Report**  
**No. : TW087-A0-100460**  
**ECE Regulation No.87**



Type : TWF-1900  
Manufacturer : TAIWAN GONG MING HEADLIGHT CO.,LTD.

---


Technical information about the lamp type according to Annex 2  
for the communication of the ECE-type approval

Appendix L

1. Trade name or mark of the device : **Nice Light** or 
2. Manufacturer's name for the type of device : TWF-1900, Daytime running lamp
3. Manufacturer's name and address : TAIWAN GONG MING HEADLIGHT CO.,LTD.  
No.43, Shengli 1st St., Xin Tian Village,  
Rende Shiang, Tainan County, Taiwan
4. If applicable, name and address of manufacturer's representative : not applicable
5. Submitted for approval on : December 29, 2010
7. Date of report issued by that service : March 08, 2011
9. Concise description  
By category of lamp : RL  
Colour of light emitted : white  
Number and category and kind of light source(s) : 6 x LED (12V, 4.5W)
10. Position of the approval mark : On the lens
11. Reason(s) for extension : not applicable

1. Specification Data

January 19, 2011

Type		TWF-1900
Function		Daytime running lamp
Light Color		White
Rate	Voltage	12V
	Wattage	4.5 W
Application Regulation (ECE)		R87.00
Location of marking	Filament lamp category	LED x 6
	Trade mark	<b>Nice Light</b> or 
		On the Lens
Approval mark	On the Lens	

2. Construction and Material :

Construction	Material	Remarks
Lens	PC	Clear
Reflector	PBT	Reflective coating, painting on the inside surface
Housing	ABS+PC	---

3. Name and Address of Manufactory : TAIWAN GONG MING HEADLIGHT CO.,LTD.  
 No.43, Shengli 1st St., Xin Tian Village,  
 Rende Shiang, Tainan County, Taiwan

4. Name and address of representative of manufacturer: Not applicable

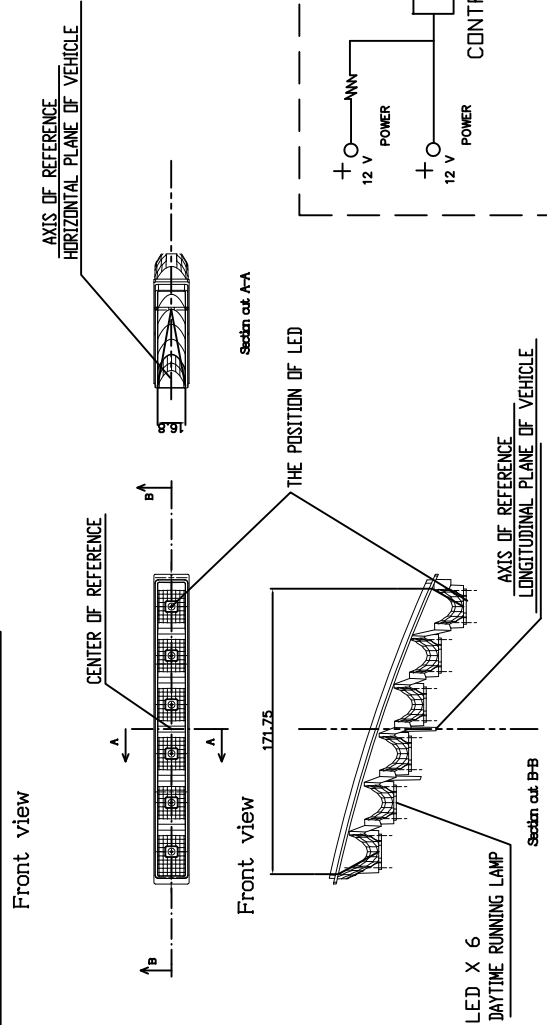
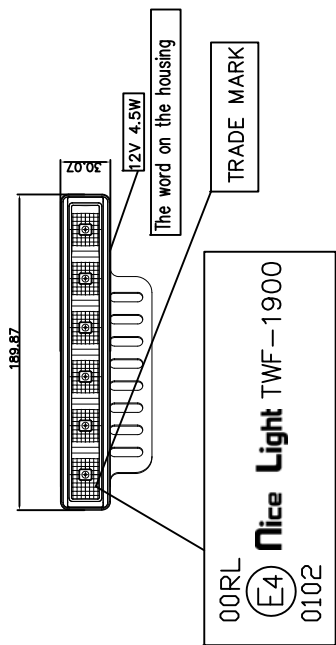
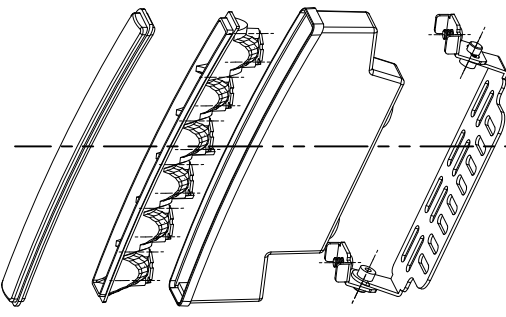


This document (including drawing) consists of 2 pages

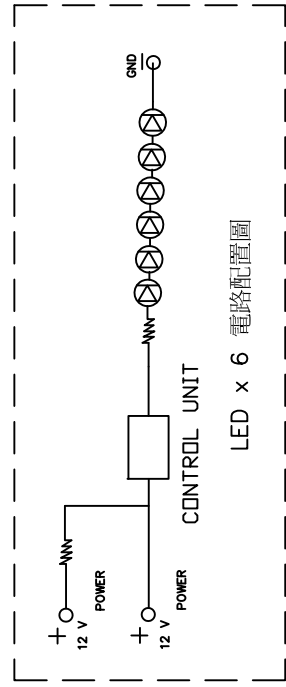


# Daytime running lamp

NOTE: THIS DRAWING SHALL BE APPLIED FOR LEFT ONLY AND RIGHT HAND SHALL BE SYMMETRIC



Isometric view



OUTSIDE LENS	PC (CLEAR LENS)	CERTIFICATION UNIT	ECE (E4)	SCALE	FREE UNIT	MM
NO. 1	DATE	ECE regulation		TOLERANCE		
DWG DATE	REVISIONS	DWG NAME	TWF-1900	DWG NO.		
100/02/17	3RD SECTION PROJECTION	TAIWAN GONG MING HEADLIGHT CO., LTD.				



THE NETHERLANDS  
(N E D E R L A N D)



COMMUNICATION



Concerning <sup>(1)</sup>:

- approval granted
- ~~approval extended~~
- ~~approval refused~~
- ~~approval withdrawn~~
- ~~production definitely discontinued~~


of a type of daytime running lamp pursuant to Regulation number 87.

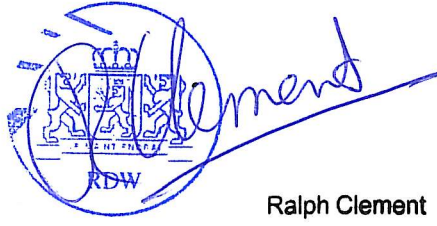
**Approval number: E4-87R-00 0102**

**Extension number: 00**

*Approval mark:*

00RL  
  
 0102

1. Trade name or mark of the device : **Nice Light** or 
2. Manufacturer's name for the type of device : TWF-1900, Daytime running lamp
3. Manufacturer's name and address : TAIWAN GONG MING HEADLIGHT CO.,LTD.  
No.43, Shengli 1st St., Xin Tian Village,  
Rende Shiang, Tainan County, Taiwan
4. If applicable, name and address of the manufacturer's representative : Not applicable
5. Submitted for approval on : December 29, 2010
6. Technical service responsible for conducting approval tests : TÜV NORD Mobilität GmbH & Co. KG  
Institut für Fahrzeugtechnik und Mobilität  
Adlerstrasse 7, D-45307 Essen

7. Date of test report issued by that service : March 08, 2011
8. Number of test report issued by that service : TW087-A0-100460
9. Concise description: : --
- By category of lamp : RL
- Number and category and kind of light source(s) <sup>(2)</sup> : 6 x LED
- Voltage and wattage : 12V, 4.5W
- Application of an electronic light source control gear: not applicable
- Being part of the lamp : ~~yes~~/no <sup>(1)</sup>
  - Being not part of the lamp : ~~yes~~/no <sup>(1)</sup>
- Input voltage supplied by an electronic light source control gear : Not applicable
- Electronic light source control gear manufacturer and identification number (when the light source control gear is part of the lamp but is not included into the lamp body) : Not applicable
10. Position of the approval mark : On the lens
11. Reason(s) for extension (If applicable) : Not applicable
12. Approval : granted/~~refused/extended/withdrawn~~ <sup>(1)</sup>
13. Place : Zoetermeer
14. Date : 30-MAR-2011
15. Signature : 
16. The following documents, bearing the approval number shown above, are available on request:

<sup>(1)</sup> Strike out what does not apply.

<sup>(2)</sup> For daytime running lamps with non-replaceable light sources indicate the number and total wattage of the light sources used.