

HMT series



» Thimble tailstock.

» Use with AR series.

HMT-200C

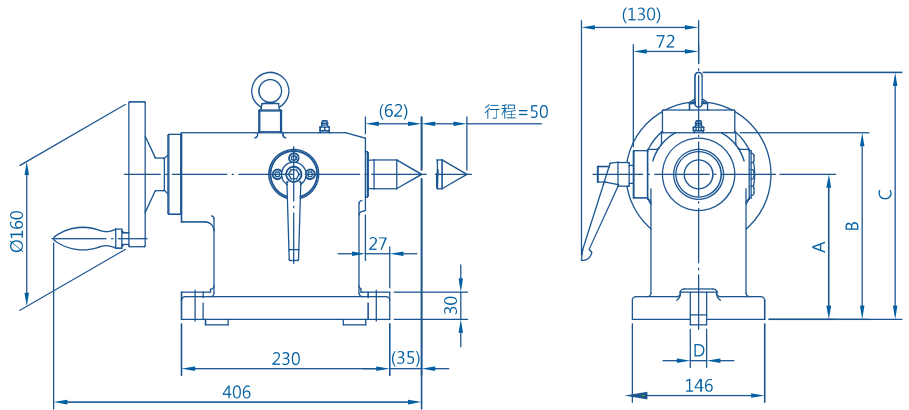
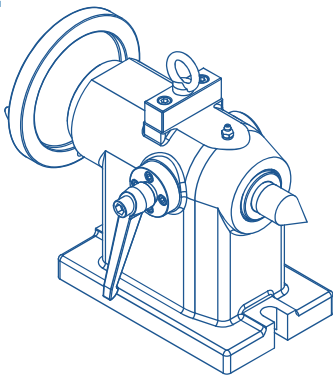
Manual Pneumatic Hydraulic Tailstock Rotary model Changeable model

13

/

14

HMT



型號 Model	A	B	C	D
HMT-135C	110	156	223	14
HMT-160C	135	181	248	14
HMT-200C	160	206	273	18
HMT-250C	160	206	273	18
HMT-320C	210	256	323	18

SSPM reserves the right to change designs and specifications.