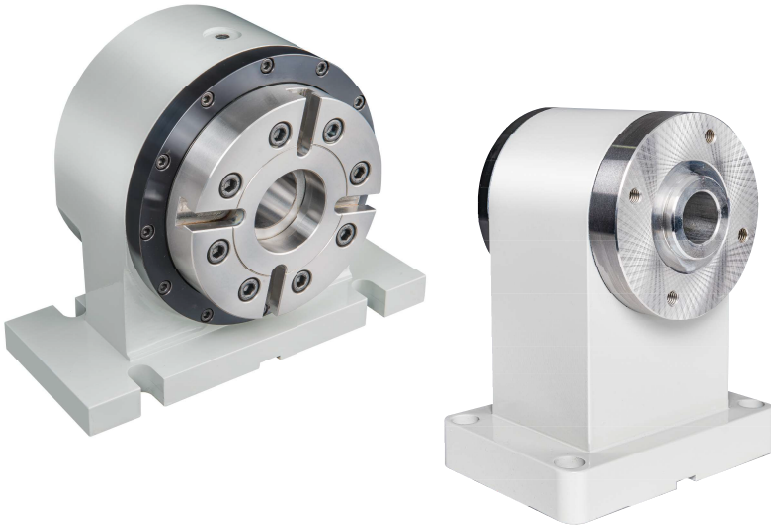


# HFT & HFTS series



» Disc tailstock.

» Use with AR series.

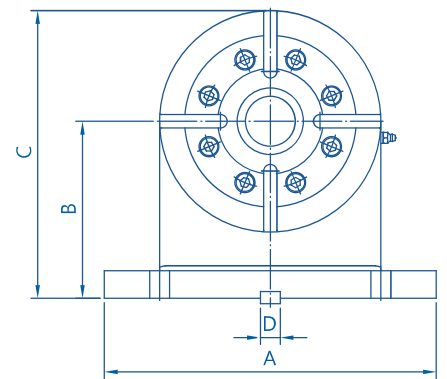
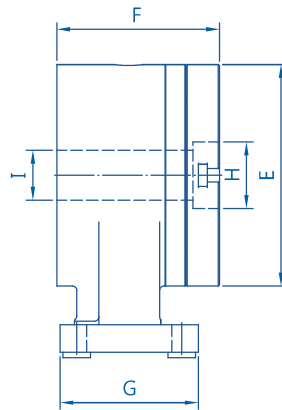
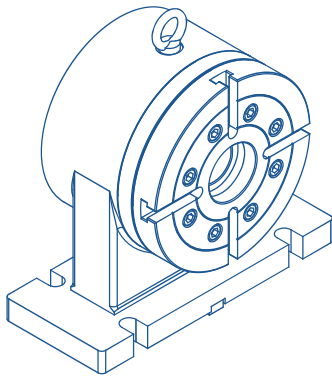
## HFT-160P

Faceplate  
Tailstock

P Pneumatic  
H Hydraulic

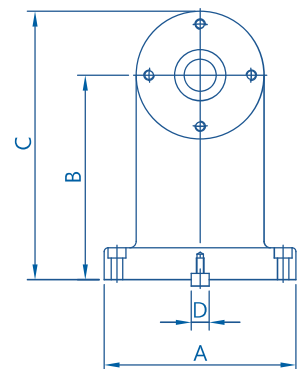
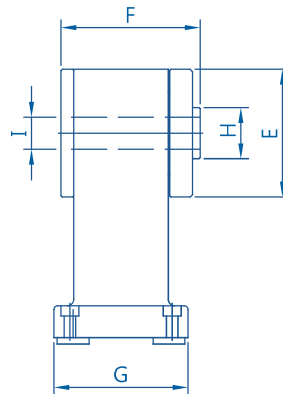
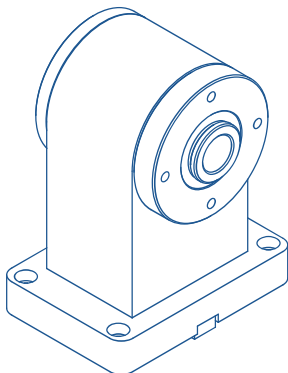
Faceplate Dimension

## HFT



型號 Model	A	B	C	D	E	F	G	H	I
HFT-135P	200	110	190	14	135	130	105	30	15
HFT-160P	300	135	235	18	160	147	125	60	45
HFT-200P/H	300	160	260	18	200	147	125	60	45
HFT-250H	300	160	285	18	250	151	125	75	50
HFT-320H	400	210	370	18	320	160	125	75	50

## HFTS



Model	A	B	C	D	E	F	G	H	I
HFTS-135	150	110	160	18	100	109	105	40	25
HFTS-160	150	135	185	18	100	109	125	40	25
HFTS-200	150	160	210	18	100	109	125	40	25