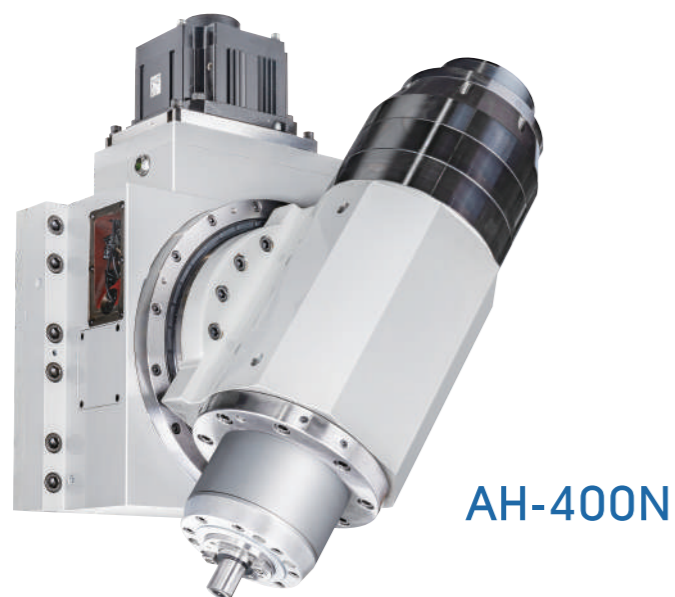


AH series

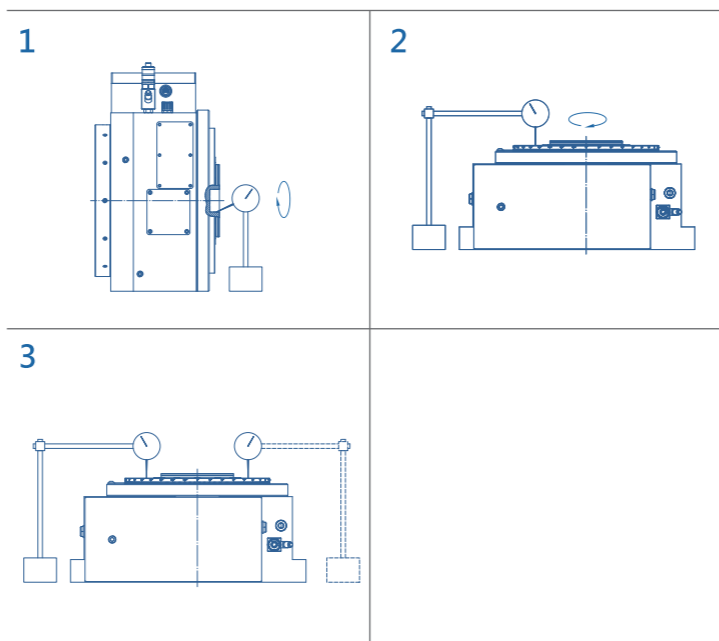
- » CNC Swiveling spindle head set.
- » Can be matched with spindle heads of different brands.
- » Optional modular angle encoder.



AH-400N

SPECIFICATION

MODEL	UNIT	AH-400N
Table Diameter	Ømm	320
Spindle Hole	Ømm	Ø140
Rotation angle	deg.	±120°
Total Speed Reduction Ratio		90
Max. Rotation Speed (3000 rpm)	rpm	33.3
Indexing Accuracy	sec	±10
Repeatability	sec	4
Min. increment	deg.	0.001°
Weight (Without Motor)	kg	320
Resource (Hydraulic)	kg/cm ²	30
Output Braking Torque	Nm	2450
Allowable Work Weight	kg	230
Allowable Work Inertia	kg-m ²	5.78
Strength of Roller Gear Cam	Nm	1450

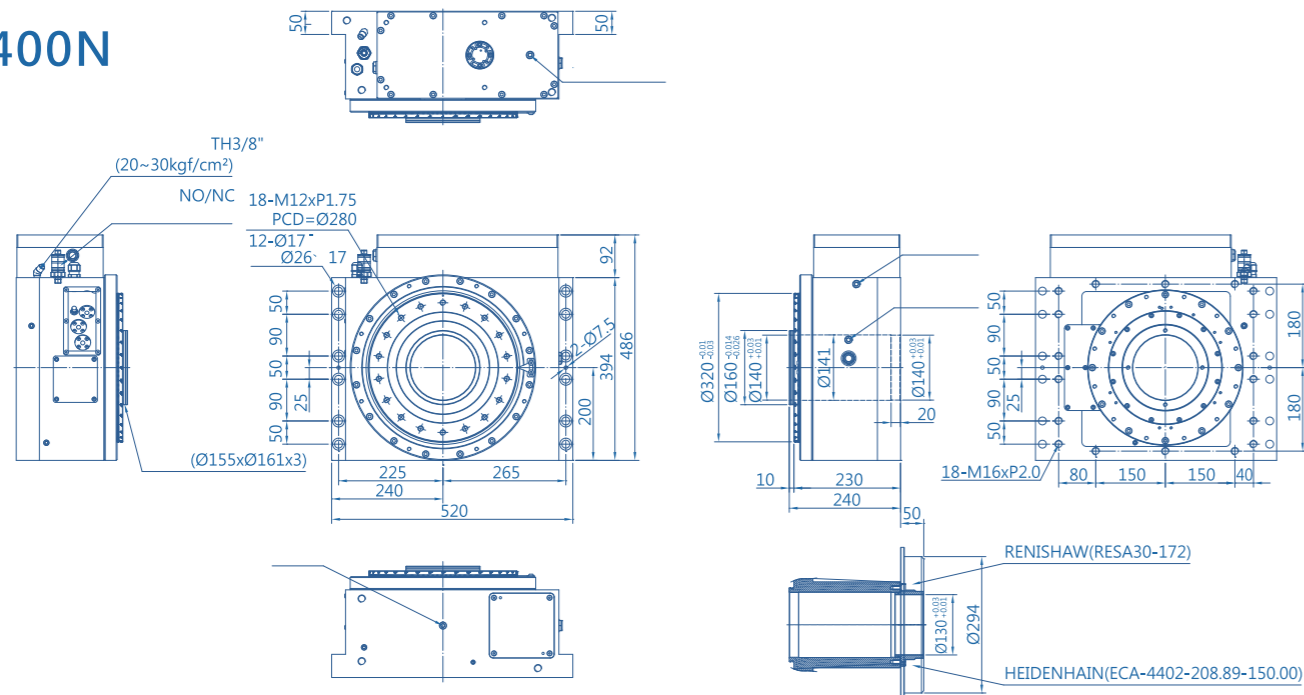


ACCURACY SPECIFICATION

No.	Inspection items		Allowable Tolerance
1	Runout of table reference bore	Front	0.01 mm
2	Run-out of table surface indexing accuracy	-	0.02 mm
3	Parallelism between table surface and table base	Full Length	0.02 mm

DIMENSION DRAWING

AH-400N



SERVO MOTOR DRIVE

Model	FANUC AC	MITSUBISHI AC	YASKAWA AC	SIEMENS AC	HEIDENHAIN AC	FOGOR AC	
AR-135	AiF2/5000	HG75S	-	1FK7042	QSY-96A	FKM22.30	
	BiS4/4000						
AR-170	AiF4/5000	HG104S	SGMGV-13A	1FK7060	QSY-116C	FKM42.30	
	BiS8/3000						
AR-200	AiF4/5000	HG104S	SGMGV-13A	1FK7060	QSY-116C	FKM42.30	
	BiS8/3000						
AR-250	AiF8/3000	HG154S	SGMGV-20A	1FK7063	QSY-116E	FKM44.30	
	BiS12/3000						
AR-320	AiF12/4000	HG204S	SGMGV-30A	1FK7083	QSY-155B	FKM64.30	
	BiS22/2000						
AR-400	AiF12/4000	HG204S	SGMGV-30A	1FK7083	QSY-155B	FKM64.30	
	BiS22/2000						
AR-500	AiF12/4000	HG204S	SGMGV-30A	1FK7083	QSY-155B	FKM64.30	
	BiS22/2000						
AR-800	-	HG354S	-	1FK7084	QSY-155D	-	
AT-100	Rotart axis	AiS2/6000	HG43S	-	-	-	
	Tilt axis	AiS4/6000	HG73S	-	-	-	
AT-250	Rotart axis	AiF8/3000	HG154S	SGMGV-20A	1FK7063	QSY-116E	FKM44.30
	Tilt axis	BiS12B/3000	HG154BS	SGMGV-20A	1FK7063	QSY-116E	FKM44.30
ATK-135	Rotart axis	AiF4/5000	HG104S	SGMGV-13A	1FK7060	QSY-116C	FKM42.30
	Tilt axis	BiS8B/3000	HG104BS	SGMGV-13A	1FK7060	QSY-116C	FKM42.30
ATK-200	Rotart axis	AiF8/3000	HG154S	SGMGV-20A	1FK7063	QSY-116E	FKM44.30
	Tilt axis	BiS12B/3000	HG154BS	SGMGV-20A	1FK7063	QSY-116E	FKM44.30
ATK-250	Rotart axis	AiF8/3000	HG154S	SGMGV-20A	1FK7063	QSY-116E	FKM44.30
	Tilt axis	BiS12B/3000	HG154BS	SGMGV-20A	1FK7063	QSY-116E	FKM44.30
AH-400	AiF22/3000	HG354S	-	1FK7084	QSY-155D	-	