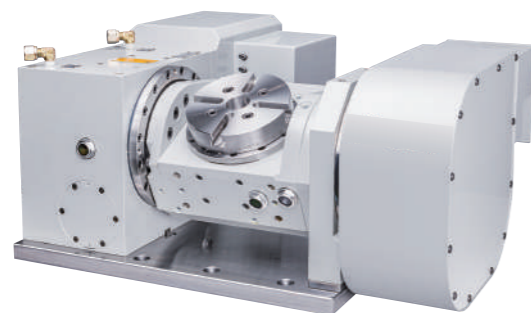
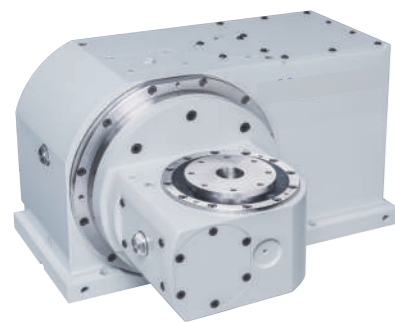


AT & ATK series

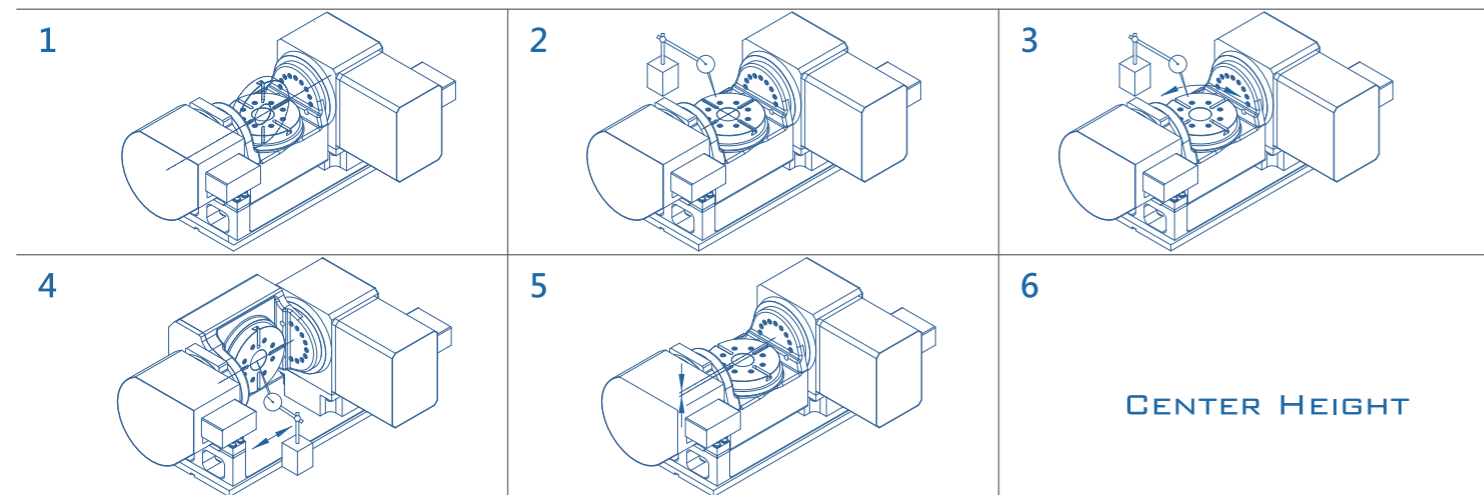


- » CNC Five-axis rotary table.
- » Optional modular angle encoder.

SPECIFICATION

MODEL	UNIT	AT-100	AT-250	ATK-135	ATK-200	ATK-250
Table Diameter	Ømm	100	250	135	200	250
Spindle Hole	Ømm	30H7	75H7/70	30H7/20	60H7/45	75H7/75
Tilt axis rotation angle	deg.	-30°~+120°	-30°~+120°	-30°~+120°	-30°~+120°	-30°~+120°
Center Height	0°	205	320	230	275	300
	90°	140	320	160	195	255
Total Speed Reduction Ratio	Rotary axis	48	60	40	60	60
	Tilt axis	60	90	60	60	90
Max. Rotation Speed (3000 rpm)	Rotary axis	83.3	50	75	50	50
	Tilt axis	66.7	33.3	66.7	50	33.3
Indexing Accuracy	Rotary axis	±25	±25	±25	±25	±25
	Tilt axis	±25	±25	±25	±25	±25
Repeatability	sec	8	4	4	4	4
Min. increment	deg.	0.001°	0.001°	0.001°	0.001°	0.001°
Weight (Without Motor)	kg	135	400	165	255	340
Resource (Hydraulic)	kg/cm ²	(No brake)	30	30	30	30
Output Braking Torque	Rotary axis	-	588	79	588	588
	Tilt axis	-	1078	138	882	1078
Allowable Work Weight	0°	20	110	110	110	160
	90°	8	70	70	70	110

ACCURACY SPECIFICATION

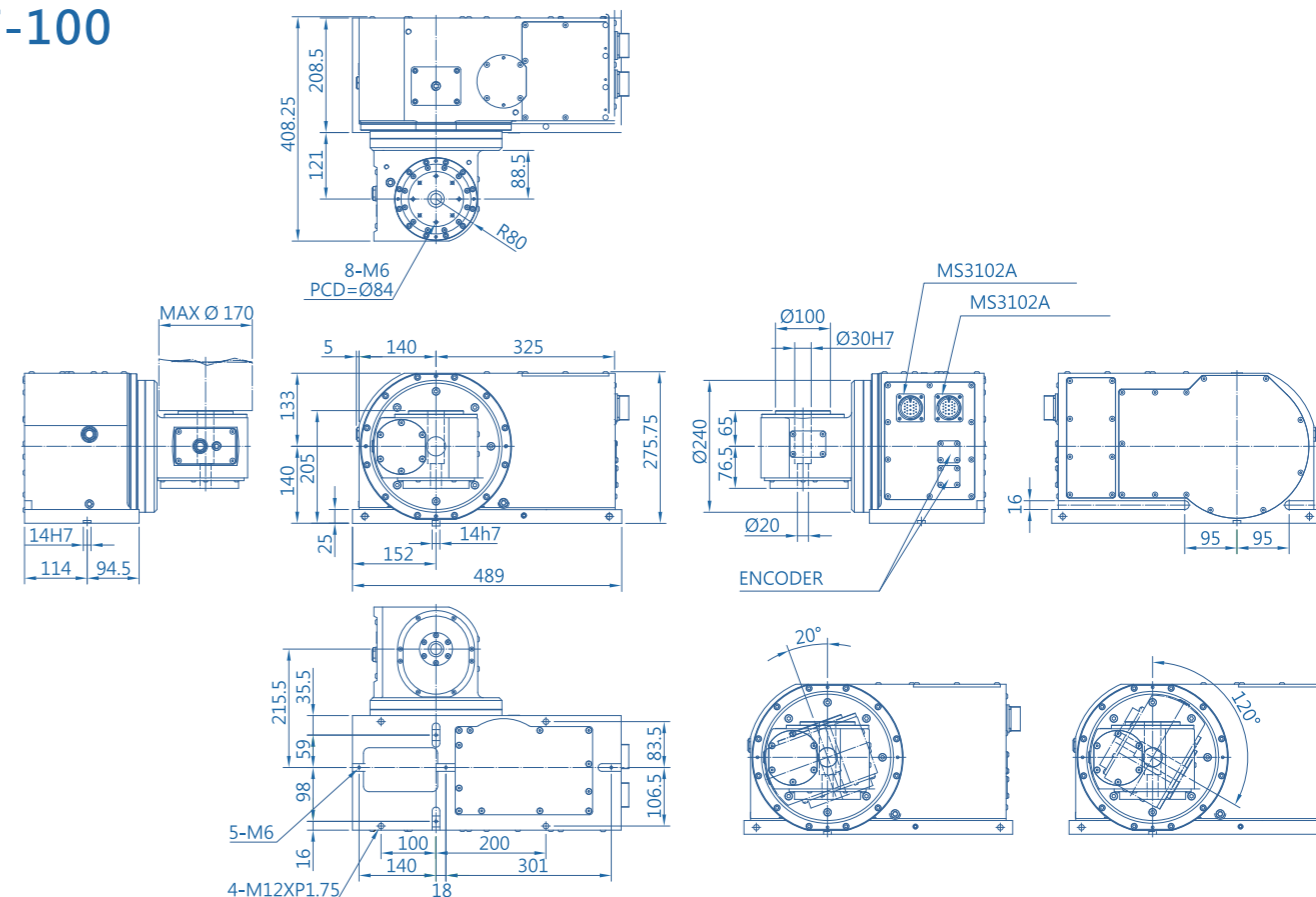


No.	Inspection items	UNIT: mm	Allowable Tolerance					
			AT-100	AT-250	ATK-135	ATK-160	ATK-200	ATK-250
1	Measurement of displacement of center when tilting from 0° to 90°	-	0.02	0.02	0.02	0.02	0.02	0.02
2	Parallelism between table surface and table base when tilting axis is 0°	Full Length	0.01	0.01	0.01	0.01	0.01	0.01
3	Runout of table reference bore when tilting axis is 0°	-	0.01	0.01	0.01	0.01	0.01	0.01
4	Parallelism between table surface and table base when tilting axis is 90°	-	0.01	0.01	0.01	0.01	0.01	0.01
5	Distance between center line of tilting axis and center line of rotary axis	-	±0.02	±0.02	±0.02	±0.02	±0.02	±0.02
6	Distance between table face plate and table base when tilting axis is 0°	Center height	0.02	0.02	0.02	0.02	0.02	0.02
	Distance between table face plate and table base when tilting axis is 90°		0.02	0.02	0.02	0.02	0.02	0.02

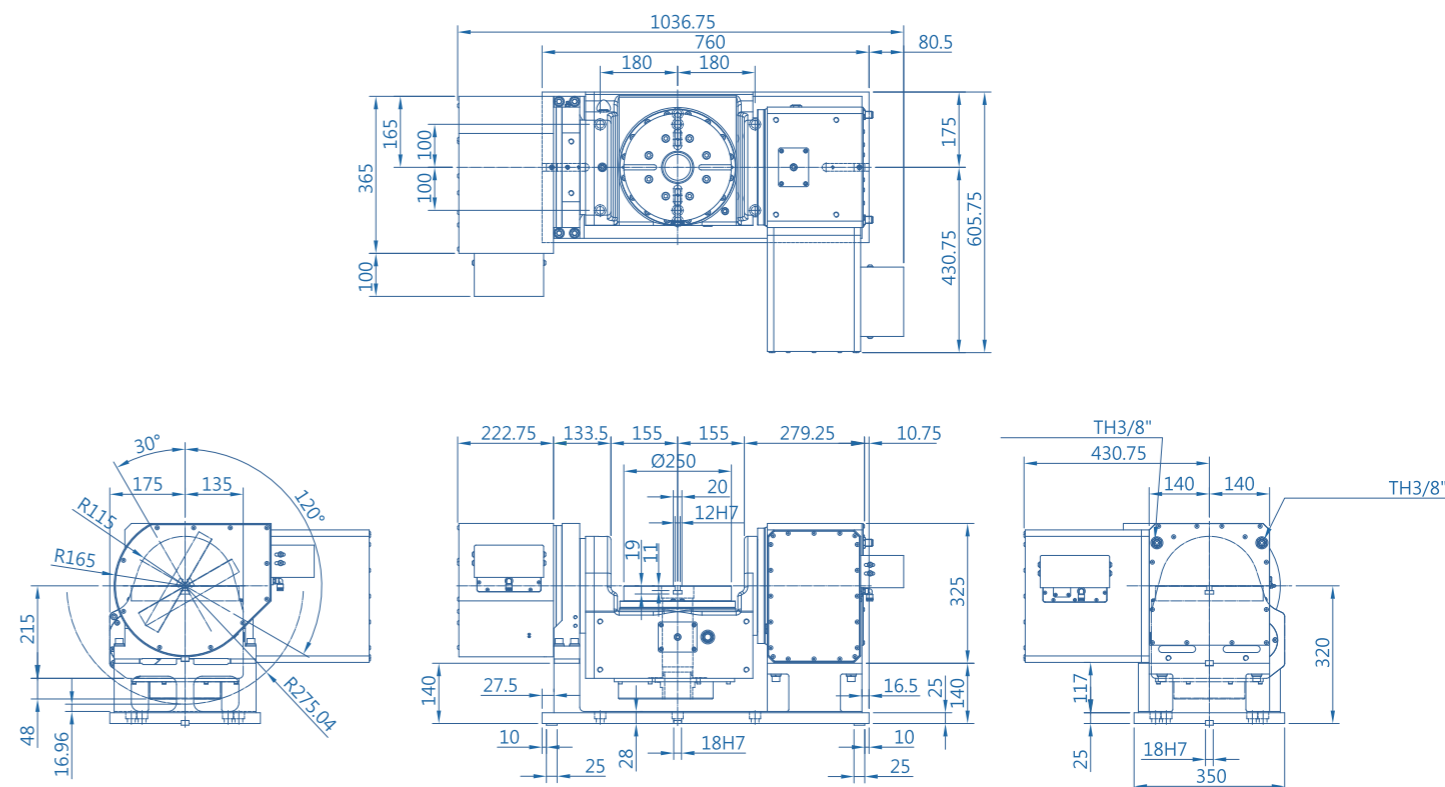
SSPM reserves the right to change designs and specifications.

DIMENSION DRAWING

AT-100

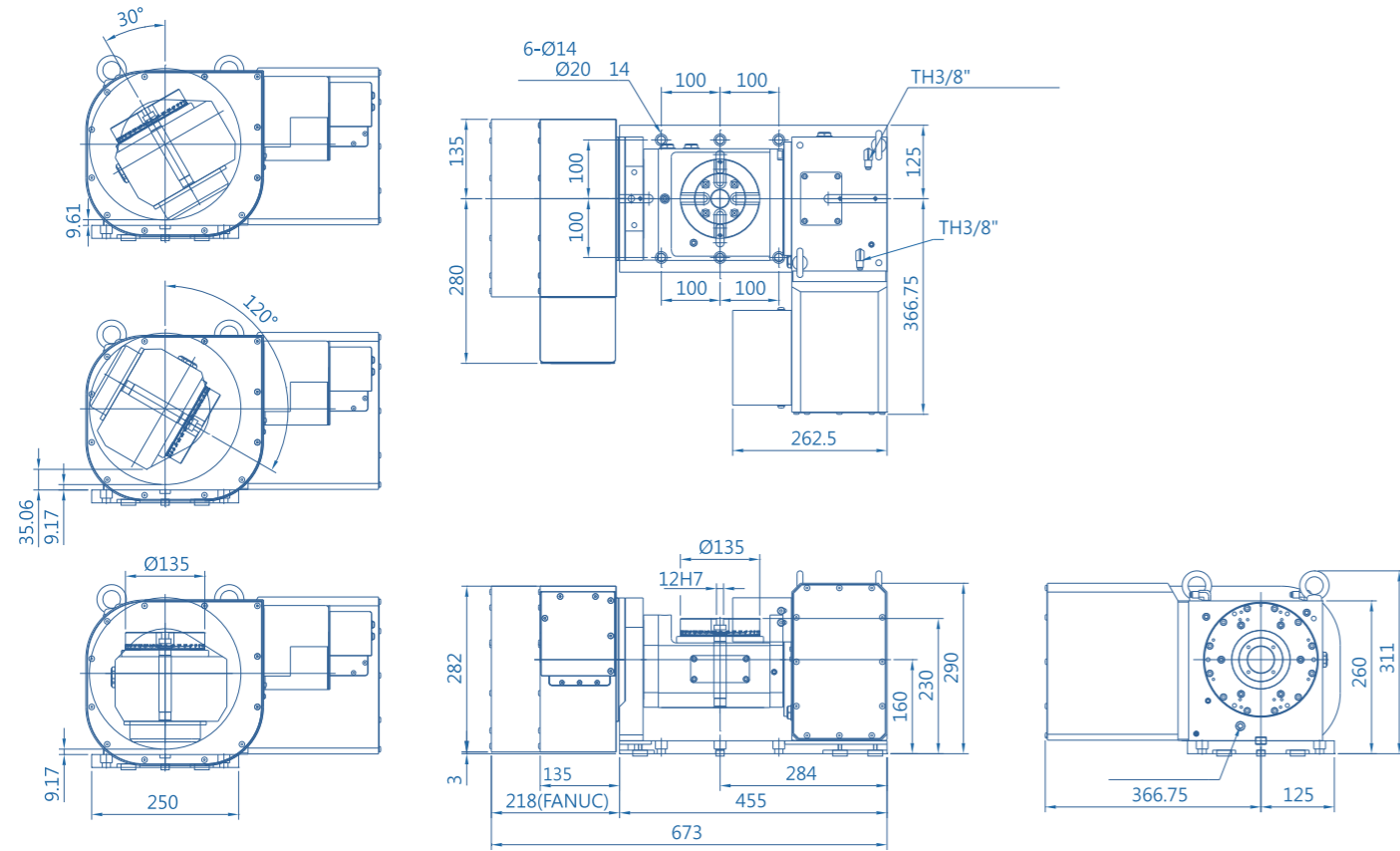


AT-250

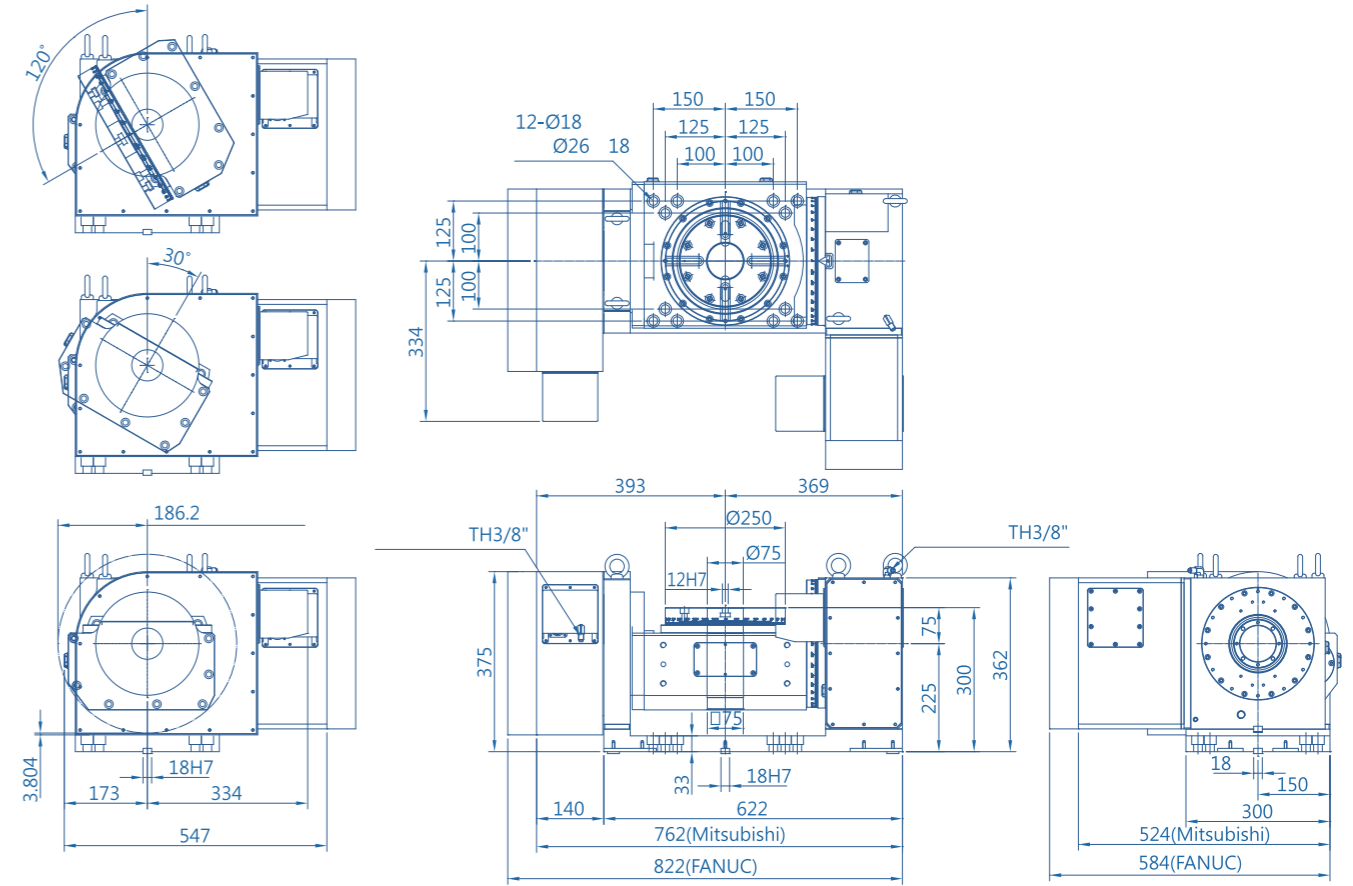


SSPM reserves the right to change designs and specifications.

ATK-135



ATK-250



ATK-200

