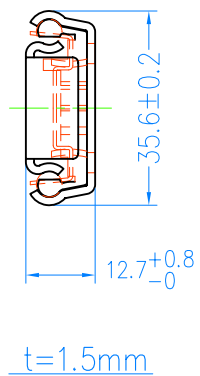
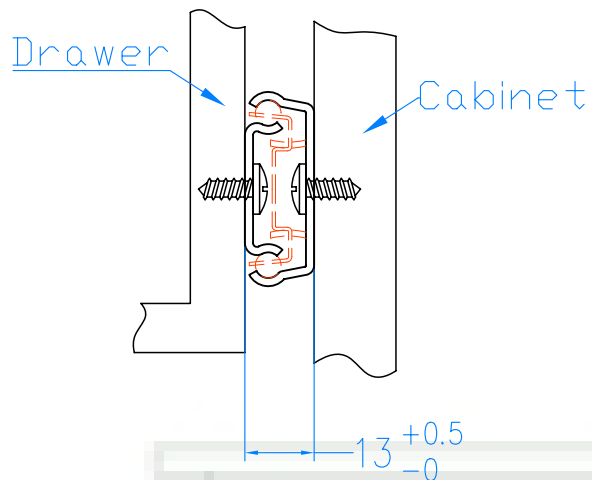


Profile



Instruction



Item No.	Slide Length	Slide Travel	C(mm)	D(mm)	E(mm)	F(mm)
	A(mm)	B±3(mm)				
2136T-12	300	215	128	96	224	-
2136T-14	350	245	96	160	256	-
2136T-16	400	300	128	192	320	-
2136T-18	450	338	160	192	288	352
2136T-20	500	375	192	224	288	416
2136T-22	550	413	192	256	288	416
2136T-24	600	450	224	288	320	480
2136T-26	650	488	256	288	352	544

