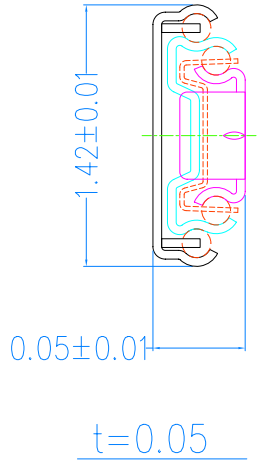
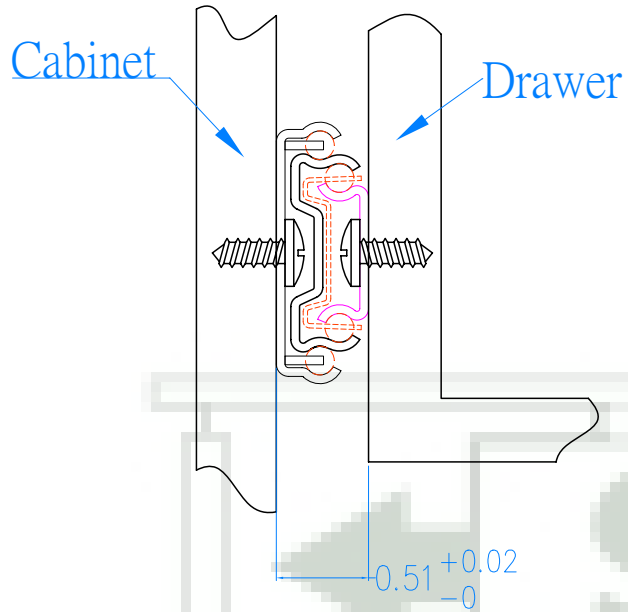


Profile



Instruction



Item No.	Slide Length	Slide Travel	C(Inch)	D(Inch)	E(Inch)	F(Inch)	G(Inch)	H(Inch)
	A(Inch)	B(Inch)						
36AB-14	13.78	13.90	-	-	-	10.71	7.56	-
36AB-16	15.75	15.87	5.04	-	-	12.60	8.82	-
36AB-18	17.72	17.83	5.04	12.60	-	14.49	11.34	-
36AB-20	19.69	19.80	5.04	-	13.86	16.38	11.34	13.23
36AB-22	21.65	21.77	5.04	8.82	16.38	18.58	11.34	15.12
36AB-24	23.62	23.74	5.04	8.82	16.38	20.16	12.60	17.64

