

UNIQUE

ASTM PVC PIPES & FITTINGS

CNS (JIS) PVC PIPES & FITTINGS

GB (ISO) PVC-U PIPES & FITTINGS



ASTM PVC PIPES & FITTINGS

*U*nique Plastics Corporation was established in 1984, and was at once engaged in the production of PVC pipes and fittings. On account of excellent quality, complete specifications and punctual delivery, the products have received good comment and reputation from the plastic circle. Our PVC pipes and fittings fulfill the set standards specification by all of CNS, ASTM, ISO, and JIS. The PVC pipes conform to ASTM SCH40 and SCH80, ISO for water and drainage, and JIS VP (thick-wall) and VU (thin-wall), the PVC fittings conform to ISO, and JIS standards.

At present, we have the largest and newest



equipment for producing PVC pipes and fittings in Taiwan. Our productivity is the strongest and our distributing network covers the whole world. We shall continue to develop new quality products to meet market demand, maintain punctual delivery and offer best services to our customers.


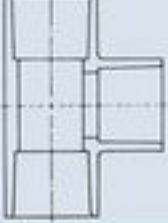
◆ **ASTM D1785 Standard**


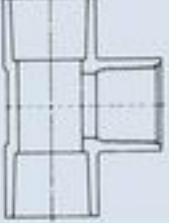
SCHEDULE 40 PVC Pipes / SCHEDULE 80 PVC Pipes


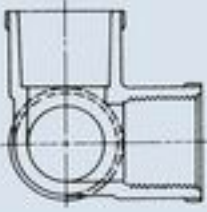
Unit : inch(m/m)

ASTM D1785 Standard					
SIZE	Outside Diameter & Tolerance	SCH40		SCH80	
		Thickness & Tolerance	Weight (Kg/M)	Thickness & Tolerance	Weight (Kg/M)
3/8"	0.675 ± 0.004 (17.14 ± 0.10)	0.091+0.020 (2.31+0.51)	0.167	0.126+0.020 (3.20+0.51)	0.211
1/2"	0.840 ± 0.004 (21.34 ± 0.10)	0.109+0.020 (2.77+0.51)	0.248	0.147+0.020 (3.73+0.51)	0.309
3/4"	1.050 ± 0.004 (26.67 ± 0.10)	0.113+0.020 (2.87+0.51)	0.329	0.154+0.020 (3.91+0.51)	0.419
1"	1.315 ± 0.005 (33.40 ± 0.13)	0.133+0.020 (3.38+0.51)	0.483	0.179+0.021 (4.55+0.53)	0.615
1 1/4"	1.660 ± 0.005 (42.16 ± 0.13)	0.140+0.020 (3.56+0.51)	0.653	0.191+0.023 (4.85+0.58)	0.850
1 1/2"	1.900 ± 0.006 (48.26 ± 0.15)	0.145+0.020 (3.68+0.51)	0.779	0.200+0.024 (5.08+0.61)	1.032
2"	2.375 ± 0.006 (60.32 ± 0.15)	0.154+0.020 (3.91+0.51)	1.045	0.218+0.026 (5.54+0.66)	1.428
2 1/2"	2.875 ± 0.007 (73.02 ± 0.18)	0.203+0.024 (5.16+0.61)	1.650	0.276+0.033 (7.01+0.84)	2.177
3"	3.500 ± 0.008 (88.90 ± 0.20)	0.216+0.026 (5.49+0.66)	2.160	0.300+0.036 (7.62+0.91)	2.916
4"	4.500 ± 0.009 (114.30 ± 0.23)	0.237+0.028 (6.02+0.71)	3.074	0.337+0.040 (8.56+1.02)	4.264
5"	5.563 ± 0.010 (141.30 ± 0.25)	0.258+0.031 (6.55+0.79)	4.169	0.375+0.045 (9.52+1.14)	5.915
6"	6.625 ± 0.011 (168.28 ± 0.28)	0.280+0.034 (7.11+0.86)	5.414	0.432+0.052 (10.97+1.32)	8.139
8"	8.625 ± 0.015 (219.08 ± 0.38)	0.322+0.039 (8.18+0.99)	8.154	0.500+0.060 (12.70+1.52)	12.364
10"	10.750 ± 0.015 (273.5 ± 0.38)	0.365+0.044 (9.27+1.12)	11.579	0.593+0.071 (15.06+1.80)	18.362
12"	12.750 ± 0.015 (323.85 ± 0.38)	0.406+0.049 (10.31+1.24)	15.280	0.687+0.082 (17.45+2.08)	25.223
14"	14.000 ± 0.015 (355.60 ± 0.38)	0.437+0.053 (11.10+1.35)	18.086	0.750+0.090 (19.05+2.29)	30.260
16"	16.000 ± 0.019 (406.40 ± 0.48)	0.500+0.060 (12.70+1.52)	23.627	0.843+0.101 (21.41+2.57)	38.902

PVC SCH40 PRESSURE FITTINGS

TEE					
SLIP x SLIP x SLIP					
SIZE	CODE NO.	Number of Pieces per Box	Number of Pieces per Carton		
1/2"	STS05	50	300		
3/4"	STS07	50	300		
1"	STS10	50	150		
1 1/4"	STS12	50	150		
1 1/2"	STS15	50	150		
2"	STS20	25	75		
2 1/2"	STS25	-	50		
3"	STS30	-	50		
4"	STS40	-	20		
3/4" x 3/4" x 1/2"	STS0750	50	300		
1" x 1" x 1/2"	STS1005	50	150		
1" x 1" x 3/4"	STS1007	50	150		
1 1/4" x 1 1/4" x 1/2"	STS1205	50	150		
1 1/4" x 1 1/4" x 3/4"	STS1207	50	150		
1 1/4" x 1 1/4" x 1"	STS1210	50	150		
1 1/2" x 1 1/2" x 1/2"	STS1505	50	150		
1 1/2" x 1 1/2" x 3/4"	STS1507	50	150		
1 1/2" x 1 1/2" x 1"	STS1510	50	150		
1 1/2" x 1 1/2" x 1 1/4"	STS1512	50	150		
2" x 2" x 3/4"	STS2007	50	150		
2" x 2" x 1"	STS2010	50	150		
2" x 2" x 1 1/4"	STS2012	50	150		
2" x 2" x 1 1/2"	STS2015	50	150		

TEE					
SLIP x SLIP x FPT					
SIZE	CODE NO.	Number of Pieces per Box	Number of Pieces per Carton		
1/2"	STT05	50	300		
3/4"	STT07	50	300		
1 1/4"	STT12	50	150		
1 1/2"	STT15	50	150		
2"	STT20	25	75		
3/4" x 3/4" x 1/2"	STT0705	50	300		
1" x 1" x 1/2"	STT1005	50	150		
1" x 1" x 3/4"	STT1007	50	150		
1 1/4" x 1 1/4" x 1/2"	STT1205	50	150		
1 1/4" x 1 1/4" x 3/4"	STT1207	50	150		
1 1/4" x 1 1/4" x 1"	STT1210	50	150		
1 1/2" x 1 1/2" x 1/2"	STT1505	50	150		
1 1/2" x 1 1/2" x 3/4"	STT1507	50	150		
1 1/2" x 1 1/2" x 1"	STT1510	50	150		
2" x 2" x 1/2"	STT2005	50	150		
2" x 2" x 3/4"	STT2007	50	150		
2" x 2" x 1"	STT2010	50	150		
2" x 2" x 1 1/4"	STT2012	50	150		
2" x 2" x 1 1/2"	STT2015	50	150		

SIDE OUTLET ELBOW					
SLIP x SLIP x FPT					
SIZE	CODE NO.	Number of Pieces per Box	Number of Pieces per Carton		
1/2"	S*T05	50	300		
3/4" x 3/4" x 1/2"	S*T0705	50	300		
1" x 1" x 1/2"	S*T1005	50	150		

PVC SCH40 PRESSURE FITTINGS

45° ELBOW



SLIP x SLIP

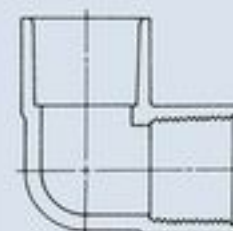


SIZE	CODE NO.	Number of Pieces per Box	Number of Pieces per Carton
1/2"	SAS05	50	300
3/4"	SAS07	50	300
1"	SAS10	50	150
1 1/4"	SAS12	50	150
1 1/2"	SAS15	50	150
2"	SAS20	50	150
2 1/2"	SAS25	-	50
3"	SAS30	-	50
4"	SAS40	-	50

90° ELBOW



SLIP x FPT

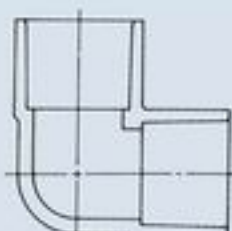


SIZE	CODE NO.	Number of Pieces per Box	Number of Pieces per Carton
1/2"	SLT05	50	300
3/4"	SLT07	50	300
1"	SLT10	50	150
3/4" x 1/2"	SLT0705	50	300
1" x 3/4"	SLT1007	50	150
1 1/4" x 1"	SLT1210	50	150

90° ELBOW



SLIP x SLIP

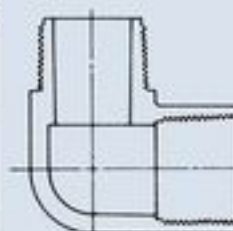


SIZE	CODE NO.	Number of Pieces per Box	Number of Pieces per Carton
1/2"	SLS05	50	300
3/4"	SLS07	50	300
1"	SLS10	50	150
1 1/4"	SLS12	50	150
1 1/2"	SLS15	50	150
2"	SLS20	50	150
2 1/2"	SLS25	-	50
3"	SLS30	-	50
4"	SLS40	-	27
1" x 1/2"	SLS1005	50	150

90° STREET ELBOW



FPT x MPT

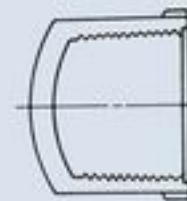


SIZE	CODE NO.	Number of Pieces per Box	Number of Pieces per Carton
1/2"	SLM05	50	300
3/4"	SLM07	50	300
1"	SLM10	50	150

CAP



FPT

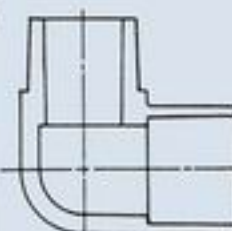


SIZE	CODE NO.	Number of Pieces per Box	Number of Pieces per Carton
1/2"	SKT05	50	300
3/4"	SKT07	50	300
1"	SKT10	50	150
1 1/4"	SKT12	50	150
1 1/2"	SKT15	50	150
2"	SKT20	50	150

90° STREET ELBOW



SLIP x SLIP



SIZE	CODE NO.	Number of Pieces per Box	Number of Pieces per Carton
1/2"	SLN05	50	300
3/4"	SLN07	50	300
1"	SLN10	50	150

PVC SCH40 PRESSURE FITTINGS

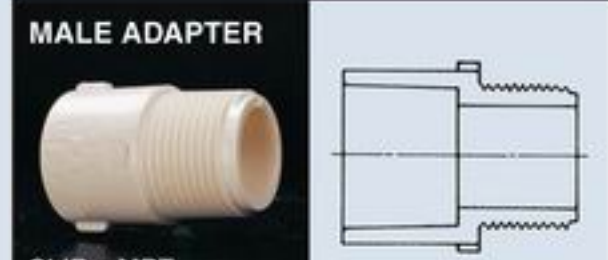
CAP



SLIP

SIZE	CODE NO.	Number of Pieces per Box	Number of Pieces per Carton
1/2"	SKS05	50	300
3/4"	SKS07	50	300
1"	SKS10	50	150
1 1/4"	SKS12	50	150
1 1/2"	SKS15	50	150
2"	SKS20	50	150


MALE ADAPTER



SLIP x MPT

SIZE	CODE NO.	Number of Pieces per Box	Number of Pieces per Carton
1/2"	SMT05	50	300
3/4"	SMT07	50	300
1"	SMT10	50	150
1 1/4"	SMT12	50	150
1 1/2"	SMT15	50	150
2"	SMT20	50	150
2 1/2"	SMT25	-	50
3"	SMT30	-	50
4"	SMT40	-	50
1/2" x 3/4"	SMT0507	50	300
3/4" x 1/2"	SMT0705	50	300
3/4" x 1"	SMT0710	50	150
1" x 3/4"	SMT1007	50	150

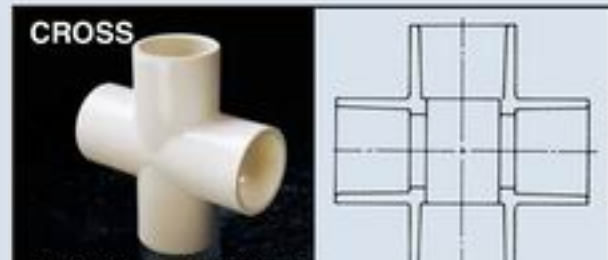
FEMALE ADAPTER



SLIP x FPT

SIZE	CODE NO.	Number of Pieces per Box	Number of Pieces per Carton
1/2"	SFT05	50	300
1/2" x 3/4"	SFT0507	50	300
3/4"	SFT07	50	300
1"	SFT10	50	150
1 1/4"	SFT12	50	150
1 1/2"	SFT15	50	150
2"	SFT20	50	150

CROSS



SLIP x SLIP x SLIP x SLIP

SIZE	CODE NO.	Number of Pieces per Box	Number of Pieces per Carton
1/2"	S#S05	50	300
3/4"	S#S07	50	300

PVC SCH40 PRESSURE FITTINGS

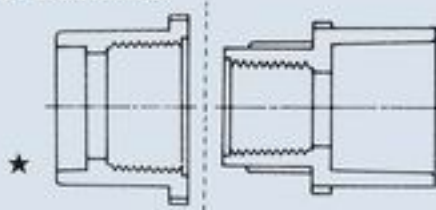
COUPLING



SLIP x SLIP

SIZE	CODE NO.	Number of Pieces per Box	Number of Pieces per Carton
1/2"	SCS05	50	300
3/4"	SCS07	50	300
1"	SCS10	50	150
1 1/4"	SCS12	50	150
1 1/2"	SCS15	50	150
2"	SCS20	50	150
2 1/2"	SCS25	-	50
3"	SCS30	-	50
4"	SCS40	-	50

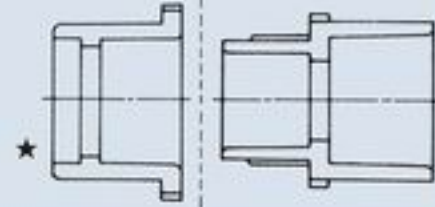
REDUCER BUSHING



SLIP x FPT

SIZE	CODE NO.	Number of Pieces per Box	Number of Pieces per Carton
★ 3/4" x 1/2"	SRT0705	50	300
1" x 1/2"	SRT1005	50	150
★ 1" x 3/4"	SRT1007	50	150
1 1/4" x 1/2"	SRT1205	50	150
1 1/4" x 3/4"	SRT1207	50	150
★ 1 1/4" x 1"	SRT1210	50	150
1 1/2" x 1/2"	SRT1505	50	150
1 1/2" x 3/4"	SRT1507	50	150
1 1/2" x 1"	SRT1510	50	150
★ 1 1/2" x 1 1/4"	SRT1512	50	150
2" x 1/2"	SRT2005	50	150
2" x 3/4"	SRT2007	50	150
2" x 1"	SRT2010	50	150
2" x 1 1/4"	SRT2012	50	150

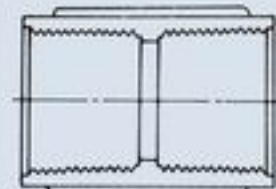
REDUCER BUSHING



SLIP x SLIP

SIZE	CODE NO.	Number of Pieces per Box	Number of Pieces per Carton
★ 3/4" x 1/2"	SRS0705	50	300
1" x 1/2"	SRS1005	50	150
★ 1" x 3/4"	SRS1007	50	150
1 1/4" x 1/2"	SRS1205	50	150
1 1/4" x 3/4"	SRS1207	50	150
★ 1 1/4" x 1"	SRS1210	50	150
1 1/2" x 1/2"	SRS1505	50	150
1 1/2" x 3/4"	SRS1507	50	150
1 1/2" x 1"	SRS1510	50	150
★ 1 1/2" x 1 1/4"	SRS1512	50	150
2" x 1/2"	SRS2005	50	150
2" x 3/4"	SRS2007	50	150
2" x 1"	SRS2010	50	150
2" x 1 1/4"	SRS2012	50	150
★ 2" x 1 1/2"	SRS2015	50	150
2 1/2" x 3/4"	SRS2507	-	50
2 1/2" x 1 1/4"	SRS2512	-	50
★ 2 1/2" x 2"	SRS2520	-	50
3" x 1"	SRS3010	-	50
3" x 2"	SRS3020	-	50
★ 3" x 2 1/2"	SRS3025	-	50
4" x 2"	SRS4020	-	50
★ 4" x 3"	SRS4030	-	50


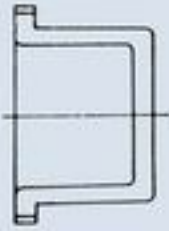
COUPLING


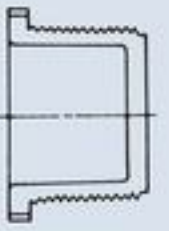


FPT x FPT

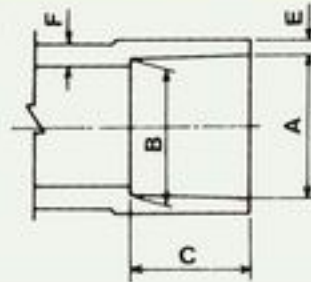
SIZE	CODE NO.	Number of Pieces per Box	Number of Pieces per Carton
1/2"	SCT05	50	300
3/4"	SCT07	50	300
1"	SCT10	50	150

PVC SCH40 PRESSURE FITTINGS

PLUG		SLIP	
			
SIZE	CODE NO.	Number of Pieces per Box	Number of Pieces per Carton
1/2"	SPS05	50	300
3/4"	SPS07	50	300
1"	SPS10	50	150
1 1/4"	SPS12	50	150
1 1/2"	SPS15	50	150
2"	SPS20	50	150

PLUG		MPT	
			
SIZE	CODE NO.	Number of Pieces per Box	Number of Pieces per Carton
1/2"	SPT05	50	300
3/4"	SPT07	50	300
1"	SPT10	50	150
1 1/4"	SPT12	50	150
1 1/2"	SPT15	50	150
2"	SPT20	50	150

• Description of Dimension for All PVC SCH40 PRESSURE FITTING



Unit : m/m

SIZE	PIPE OD.	ENTRANCE(A)		BOTTOM(B)		SOCKET(C) DEPTH MIN	(E) MIN	(F) MIN
		MAX	MIN	MAX	MIN			
1/2"	21.34	21.64	21.44	21.33	21.13	17.5	2.77	3.45
3/4"	26.67	26.97	26.77	26.47	18.50	18.3	2.87	3.58
1"	33.40	33.78	33.52	33.40	33.15	22.5	3.38	4.22
1 1/4"	42.16	42.54	42.29	42.16	41.91	24.0	3.56	4.45
1 1/2"	48.26	48.72	48.42	48.26	47.96	28.0	3.68	4.60
2"	60.33	60.78	60.48	60.32	60.02	30.0	3.91	4.91
2 1/2"	73.02	73.56	73.20	73.02	72.67	44.5	5.16	6.45
3"	88.90	89.50	89.10	88.90	88.50	48.0	5.49	6.86
4"	114.30	114.98	114.53	114.30	113.85	51.0	6.02	7.52

STANDARDS AND SPECIFICATIONS

ASTM D-1784-Rigid Poly Vinyl Chloride (PVC) Compounds

ASTM D-2466-Poly Vinyl Chloride (PVC) Schedule 40 Socket Type Pipe Fitting

MATERIAL - UNIQUE Schedule 40 Fittings are Produced from PVC Type 1,
Cell Classification 12454-B

◆ UNIQUE VINYL ADHESIVE :

UNIQUE Vinyl Adhesive is specially designed to be used on rigid PVC products, such as PVC pipe, PVC fitting etc. Its superior bonding strength enables it to be applied in various temperatures. The qualities and physical properties of the adhesive all conform to the standard CNS 6224. When the PVC pipe lines are connected by UNIQUE Vinyl Adhesive, the PVC pipe lines can start to transfer water after 24 hours. However if the operating temperature is below 5°C, the waiting time is increased to 48 hours.

* No Eating



◆ UNIQUE REGULAR-BODIED CLEAR PVC SOLVENT CEMENT

1. SPECIFICATIONS:



Properties	Unit	Test Method	Standard	Result
Viscosity	CPS/25°C	ASTM D-2564	90 ↑	95
Solids content	%		10 ↑	11.2
Lap Curing 2hrs	MPa		1.7 ↑	2.0
Shear 16hrs			3.4 ↑	3.9
Strength 72hrs			6.2 ↑	7.0
Hydrostatic Burst strength (Curing 2hrs)	MPa			2.8 ↑

2. Product color : clear
3. Ingredients : PVC resin, Cyclehexanone, Ethyl Acetate.
4. Packing : 100 grams, 500grams, 1KG 、 16KGS 、 180KGS.
5. Application for $\frac{3}{8}$ " ~ $1\frac{1}{2}$ " PVC pipes and fittings.

◆ UNIQUE MEDIUM-BODIED CLEAR PVC SOLVENT CEMENT

1. SPECIFICATIONS:



Properties	Unit	Test Method	Standard	Result
Viscosity	CPS/25°C	ASTM D-2564	500 ↑	950
Solids content	%		10 ↑	17.9
Lap Curing 2hrs	MPa		1.7 ↑	1.8
Shear 16hrs			3.4 ↑	4.0
Strength 72hrs			6.2 ↑	7.0
Hydrostatic Burst strength (Curing 2hrs)	MPa	2.8 ↑	pass	

2. Product color : clear

3. Ingredients : PVC resin, Cyclohexanone, Ethyl Acetate, Tetrahydrofuran.

4. Packing : 100 grams, 500grams, 1KG 、 16KGS 、 180KGS.

5. Application for 2"~6" PVC pipes and fittings.

◆ UNIQUE HEAVY-BODIED CLEAR PVC SOLVENT CEMENT

1. SPECIFICATIONS:



Properties	Unit	Test Method	Standard	Result
Viscosity	CPS/25°C	ASTM D-2564	1600 ↑	7200
Solids content	%		10 ↑	19.9
Lap Curing 2hrs	MPa		1.7 ↑	1.8
Shear 16hrs			3.4 ↑	3.9
Strength 72hrs			6.2 ↑	6.9
Hydrostatic Burst strength (Curing 2hrs)	MPa	2.8 ↑	pass	

2. Product color : clear

3. Ingredients : PVC resin, Cyclohexanone, Ethyl Acetate, Tetrahydrofuran.

4. Packing : 100 grams, 500grams, 1KG 、 16KGS 、 180KGS.

5. Application for 8"~16" PVC pipes and fittings.



◆ PVC DETERGENT

• APPLICATION :

1. Applicable for rigid PVC products such as PVC pipe connection, CPVC pipe and other rigid products. The detergent is used for cleaning the surface to be bonded before the application of adhesive.
2. PVC detergent shall not be exposed and shall be stored in cool place without being exposed to direct sunlight.
3. Use gauze or clean cloth soaked with PVC detergent to clean up surface of PVC product, and replace the cover of PVC detergent container immediately so as to prevent PVC detergent from vaporizing.
4. Contains: Cyclohexanone and tetrahydrofuran.
5. Validity: One year.

• CAUTION:

1. May cause irritation to eyes and skin if comes in contact.
2. Harmful to inhale or swallow.
3. Keep away from sources of ignition.

• PROTECTIVE MEASURES:

1. Keep the lid tightly closed and store in a cool and well-ventilated place.
2. Use appropriate equipment and protective clothing during application.

- NET WT.: 1KG

CNS (JIS) PVC PIPES & FITTINGS

CNS (JIS) PVC PIPES & FITTINGS

2. PVC管・接頭特性與用途	2	2. Characteristics and application of PVC Pipe and Fitting	2
3. PVC管・接頭之物理及化學性質	4	3. Chemical and Physical Properties of PVC Pipe and Fitting	4
4. PVC管規格	14	4. Specification of PVC Pipe	14
(一) 一般用PVC管	14	(1) PVC pipe for General purpose	14
* A管(薄管)	14	* Type A (Thin wall)	14
* B管(厚管)	15	* Type B (Thick wall)	15
* S管(落水管)	16	* Type s (Rain Pipe)	16
* 活套一般用管	16	* Real-seal type for General purpose	16
(二) 自來水用管	17	(2) PVC pipe for drinking Water	17
* W管	17	* Type W	17
* 活套管(自來水用)	18	* Ring-Seal type for drinking water	18
(三) 導電線用管	19	(3) PVC pipe for conduit	19
* E管	19	* Type E	19
* ES-1, ES-2管	19	* Type ES-1, ES-2	19
(四) 耐衝擊PVC管	20	(4) PVC pipe for High-Impact	20
(五) 長型活套管(A型)	21	(5) Ring-Seal type A for drinking water	21
(六) 可擦性活套管(B型)	22	(6) Ring-Seal type B for drinking water	22
(七) 管筏用PVC管	23	(7) Pvc pipe for raft	23
(八) 井用管	23	(8) For well drilling engineering	23
(九) IS放口管(單放)	24	(9) Pipe with solvent cement socket (single socket)	24
5. PVC管之施工法	25	5. Installation of PVC Pipe	25
(一) 施工方法	25	(1) Methods	25
(二) PVC管施工應注意事項	28	(2) Notice items of PVC pipe instructions	28
6. 給水用接頭規格	29	6. Specification of PVC fitting for Water Supply	29
* 45°L型給水接頭	29	* 45° Elbow	29
* 90°L型給水接頭	29	* 90° Elbow	29
* I型給水接頭	30	* Tee	30
* 同徑普通接頭	32	* Coupling	32
* 異徑普通接頭	32	* Reducer coupling	32
* L型水龍頭接頭	33	* Faucet fitting-90° Elbow	33
* I型水龍頭接頭	34	* Faucet fitting-Fixture Tee	34
* S型水龍頭接頭	35	* Faucet fitting-Female Adapter	35
* 止腐接頭	35	* Male adapter	36
* 中令	36	* Union	36
* 蓋頭	36	* Cap	36
* 90°大彎接頭	36	* Bend 90°	36
* 不斷水(氣)分水鞍	37	* Lapping saddle	37
* 法蘭接頭	37	* Hange	37
* 活套式I型接頭	37	* Ring-Seal I type	37
7. 排水用接頭規格	38	7. Specification of PVC fitting for drainage	38
* 45°L型排水接頭	38	* 45° Elbow	38
* 90°L型排水接頭	38	* 90° Elbow	38
* 45°L型單放口(厚)接頭	38	* 45° Elbow with spigot end	38
* 45°L型單放口排水接頭	38	* 45° Elbow with spigot end	38
* 90°L型單放口排水接頭	38	* 90° Elbow with spigot end	38
* I型排水接頭	39	* Tee	39
* 排氣I型接頭	39	* Vent tee	39
* 同徑普通排水接頭	40	* Coupling	40
* 異徑普通排水接頭	40	* Reducer coupling	40
* 順T型排水接頭	41	* Sanitary tee	41
* 45°Y型排水接頭	42	* 45° Wye	42
* 樓板接頭	43	* Slab joint	43
* P型存水接頭	43	* Y ^o Trap with solvent welding joint and cleanout plug	43
8. 下水道及排水用接頭規格	44	8. Specification for sewerage & drainage	44
* 順T接頭	44	* Sanitary tee	44
* 45°Y型接頭	44	* 45° wye	44
* 清除孔接頭	45	* Cleanout bushing	45
* 漏斗	45	* Hopper	45
* 污水防臭接頭	46	* Junction with odor trap	46
* 嵌合不銹鋼清除孔接頭	46	* Cleanout bushing of insert stain-less	46
9. (1)硬質膠合劑	47	9. (1)UNIQUE Vinyl Adhesive	47
(2)高耐衝擊PVC膠合劑	48	(2)UNIQUE High Impact Vinyl Adhesive	48

1. 質輕，搬運裝卸便利：

PVC 管材質輕，搬運、裝卸，施工便利，可節省人工。

2. 耐化學藥品性優良：

PVC 管具有優異的耐酸、耐鹼、耐腐蝕性，對於化學工業之用途甚為適合。

3. 流體阻力小：

PVC 管之壁面光滑，對流體之阻力小，其粗糙係數僅 0.009 較其他管材為低，在相同之流量下，管徑可予以縮小。

4. 機械強度大：

PVC 管之耐水壓強度，耐外壓強度，耐衝擊強度等均甚良好，適用於各種條件之配管工程。

5. 電氣絕緣性佳：

PVC 管富有優越的電氣絕緣性，適用於電線、電纜之導管，與建築上之電線配管。

6. 不影響水質：

PVC 管由溶解試驗證實不影響水質，為目前自來水配管之最佳管材。

7. 施工簡易：

PVC 管之接合施工迅速容易，故施工工程費用低廉。

1. Light Weight, easy to load and unload:

PVC pipe is very light, convenient to handle loading unloading, and installing. May save much labor.

2. Good chemicals and drugs resistance:

PVC pipe has its excellent resistance to the erosion caused by acids and alkalines, a great help to the chemical industries.

3. Small resistance to fluidity:

The smooth surface of PVC pipe reduces resistance to the fluids. Its roughness coefficient is only 0.009, much less than other pipes. Under same discharge, smaller calibre of the pipe can be used.

4. Strong mechanical strength:

Good resistance to water pressure, outside impact and pressure, is satisfied under any conditions.

5. Good electrical insulation:

PVC pipe has excellent insulation nature against electricity. It can be served as conduits and pipes in construction cable and wire.

6. Water quality unaffected:

The solution tests on the PVC pipe show no affect on water quality when the water flows through it. It is considered the best piping material for running water works.

7. Simple installation:

Very easy to connect, thus much time and labor cost may be saved.

PVC 管 · 接頭適用場所**Applicable places for PVC Pipe and Fitting**

1. 自來水工程 Drinking water engineering
2. 電氣工程 Electrical engineering
3. 建築工程 Construction engineering
4. 下水道工程 Sewer engineering
5. 電信工程 Telephone engineering
6. 鑿井工程 Well drilling engineering
7. 鹹水工程 Salt water engineering
8. 天然氣工程 Gas supply engineering
9. 化學工程 Chemical factory
10. 製紙工程 Paper mill
11. 釀造發酵工程 Acidifying & Fermenting plant
12. 電鍍工程 Electroplating factory
13. 農業園地 Agricultural Ground
14. 礦場 Mining Plant
15. 養殖業 Aquaculture
16. 高速公路工程 High-way engineering
17. 高爾夫球場工程 Golf course engineering
18. 漁業用塑膠筏 Fishery use for Plastic raft



▲自來水工程 Drinking water engineering

2

PVC 管 · 接頭特性與用途

Characteristics and application of PVC Pipe and Fitting



▲ 水井工程 Well drilling engineering



▲ 化學工程 Chemical factory



▲ 電氣工程 Electrical engineering



▲ 建築工程 Construction engineering



▲ 黃埔輸水工程 Water-Supply engineering



▲ 農田灌溉工程 Irrigation engineering



▲ 下水道工程 Sewer Engineering



▲ 漁業用塑膠筏工程 Fishery use for plastic raft

3

PVC 管 · 接頭之物理及化學性質

Chemical and Physical Properties of PVC Pipe and Fitting

(一) 物理性質 Physical Properties

1. 一般用 PVC 管 PVC Pipe for General Purpose

試驗項目 Test Items		試驗值 Test Value	試驗標準 Test standard
拉力強度試驗 Tensile Strength Test		500kg/cm ² 以上 above 500kg/cm ²	CNS 1298 K3004
壓扁試驗 Flattening Test		不破裂 Nonbroken	
比重 Density		1.40~1.44	
浸漬試驗 Immersion Test	蒸餾水 Distilled Water	± 0.2mg/cm ² 以內	
	10% 氯化鈉溶液 10% Sodium Chloride Solution	± 0.2mg/cm ² 以內	
	30% 硫酸溶液 30% Sulfuric Acid Solution	± 0.2mg/cm ² 以內	
	40% 氫氧化鈉溶液 40% Sodium Hydroxide Solution	± 0.2mg/cm ² 以內	
40% 硝酸溶液 40% Nitric Acid Solution		± 0.2mg/cm ² 以內	

PVC 管水壓試驗 (CNS 1298 K3004)

Hydraulic internal pressure test of PVC Pipe

種類 Categories	B 管(厚管) Type B (Thick Wall)																				A 管(薄管) (Thin Wall)	
	13	16	20	27	35	40	50	65	80	90	100	125	150	200	250	300	350	400	450	500		600
標稱管徑(mm) Nominal Pipe Size	13	16	20	27	35	40	50	65	80	90	100	125	150	200	250	300	350	400	450	500	600	13-600
試驗壓力(kg/cm ²) Test Pressure	80	75	60	55	44	40	36	32	32	32	32	30	30	30	30	30	30	30	30	30	30	10
20°C 許可操作壓力(kg/cm ²) Allowable working pressure at 20°C	20	19	15	14	11	10	9	8	8	8	8	7.5	7.5	7.5	7.5	7.5	7.5	7.5	7.5	7.5	7.5	2.5

活套接頭水壓試驗

Hydraulic internal pressure test of ring-seal type joint

單位 Unit: m/m

用途別 Application	標稱管徑 Nominal Pipe Size																
	40	50	65	80	100	125	150	200	250	300	350	400	450	500	600		
給水用(kg/cm ²) Water Supply	35	35	30	30	30	30	30	30	30	30	30	30	30	30	30	30	
一般用(kg/cm ²) General Use	35	35	30	30	30	30	30	30	30	30	30	30	30	30	30		

3

PVC 管・接頭之物理及化學性質

Chemical and Physical Properties of PVC Pipe and Fitting

2. 自來水用 PVC 管 PVC Pipe for Drinking Water

試驗項目 Test Item		試驗值 Test Value	試驗標準 Test standard
拉力強度試驗 Tensile Strength Test		500kg/cm ² 以上 above 500kg/cm ²	
壓扁試驗 Flattening Test		不破裂 Non-broken	
比重 Density		1.40 ~ 1.44	
韋氏軟化溫度 Vicat Softening Temperature Test		76°C 以上 above 76°C	
材料 VCM 含量 Material's VCM Content		1.0ppm 以下 below 1.0ppm	
溶出試驗 Extraction Test	濁度 Turbidity	0.5 度以下 below 0.5 degree	CNS 4053-1 K3033-1
	色度 Colourness	1.0 度以下 below 1.0 degree	
	過錳酸鉀消耗量 KMnO ₄ Consumption	2.0ppm 以下 below 2.0ppm	
	鉛溶出量 Pb Extraction	0.008ppm 以下 below 0.008ppm	
	鋅溶出量 Zn Extraction	0.5ppm 以下 below 0.5ppm	
	餘氯之減量 Loss of Residual Chlorine	0.7ppm 以下 below 0.7ppm	
	臭氣及異味 Odor and Taste	無不良氣味 Not Detectable	
	VCM 溶出量 VCM Extraction	0.0015ppm 以下 below 0.0015ppm	

自來水用 PVC 管水壓試驗 (CNS 4053-1 K3033-1)

Hydraulic internal pressure test of PVC Pipe for Drinking Water

標稱管徑(mm) Nominal Pipe Size	13	16	20	25	30	40	50	63	80	100	125	160	200	250	300	350	400	450	500	600	
試驗壓力(kg/cm ²) Test Pressure	40.8	40.8	40.8	40.8	40.8	40.8	40.8	40.8	40.8	40.8	40.8	40.8	35.7	35.7	35.7	35.7	35.7	35.7	35.7	35.7	35.7
20°C 許可操作壓力(kg/cm ²) Allowable working pressure at 20°C	10	10	10	10	10	10	10	8	8	8	7.8	7.8	7.8	7.8	7.8	7.8	7.8	7.8	7.8	7.8	7.8

註：活套接頭之試驗水壓為 30kg/cm²NOTE: Hydraulic internal pressure test of ring-seal joint: 30kg/cm²

3. 耐衝擊 PVC 管 High-Impact PVC Pipe

試驗項目 Test Items		試驗值 Test Value	試驗標準 Test Standard
抗拉強度 Tensile Strength Test		在 15°C 時為 500 kgf/cm ² 以上 above 500 kgf/cm ² on 15°C	CNS 14345 C3114
耐壓扁性 Flattening Test		無破裂或裂痕現象 Non broken	
耐衝擊性 Impact Test		以沙不(Charpy)衝擊試驗在 0°C 時 10kJ/m ² 以上 0°C : above 10kJ/m ² by Charpy	
耐落錘衝擊性 Impact Test		無異常現象 Normal	
耐候性 Weather Resistance		14kJ/m ² 以上 above 14kJ/m ²	
荷氏(Vicat)軟化溫度 Vicat Softening Temperature Test		76°C 以上 above 76°C	
管料 VCM 含量 Material's VCM Content		1.0ppm 以下 below 1.0ppm	
溶出性 Extraction Test	濁度 Turbidity	0.2 度以下 below 0.2 degree	
	色度 Colourness	0.5 度以下 below 0.5 degree	
	過錳酸鉀消耗量 KMnO ₄ Consumption	1.5ppm 以下 below 1.5ppm	
	鉛 Pb	0.005ppm 以下 below 0.005ppm	
	鋅 Zn	0.1ppm 以下 below 0.1ppm	
	餘氯之減量 Loss of Residual Chlorine	0.7ppm 以下 below 0.7ppm	
	臭氣及異味 Odor and Taste	無不良氣味 Not Detectable	
浸漬性 Immersion Test	蒸餾水 Distilled Water	± 0.2mg/cm ² 以內	
	10% 氯化鈉溶液 10% Sodium Chloride Solution		
	30% 硫酸溶液 30% Sulfuric Acid Solution		
	40% 氫氧化鈉溶液 40% Sodium Hydroxide Solution		
	40% 硝酸溶液 40% Nitric Acid Solution		
剛性 Stiffness		管壓至內徑變形 5% 時之最小剛性應 符合規定 Normal	

耐衝擊 PVC 管水壓試驗

Hydraulic Internal Pressure Test of High-Impact PVC Pipe

標稱管徑(mm) Nominal Pipe Size	13	16	20	25	27	30	35	40	50	65	80	100	125	150	200	250	300	350	400	
試驗壓力(MPa) Test Pressure	8.0	7.6	6.0	6.0	5.6	5.6	4.4	4.0	4.0	4.0	4.0	4.0	4.0	4.0	3.5	3.5	3.5	3.5	3.5	
20°C 許可操作壓力 (MPa) Allowable Working pressure	自來水用管																			
	一般用管																			
	2.0	1.9	1.5	1.5	1.4	1.4	1.1	1.0	1.0	0.8	0.8	0.8	0.75	0.75	0.75	0.75	0.75	0.75	0.75	

計：1. 活套類之試驗水壓為 35.7kgf/cm² 2. 壓力換算：1MPa = 10.2 kgf/cm²NOTE: Hydraulic internal pressure test of ring-seal joint: 35.7kgf/cm²

3

PVC 管 · 接頭之物理及化學性質

Chemical and Physical Properties of PVC Pipe and Fitting

耐衝擊試驗之試驗高度與重錘質量

Fall height and weight of impact test.

標稱管徑(mm) Nominal Pipe Size	13	16	20	25	27	30	35	40	50	65	80	100	125	150	200	250	300	350	400	
落錘高度(cm) Fall height	100	125	150	200	200	100	100	150	200	200	100	150	175	250	250	300	300	300	300	
重錘質量(kg) Falling weight	1 ± 0.05					3 ± 0.05					9 ± 0.05					10.5 ± 0.05				

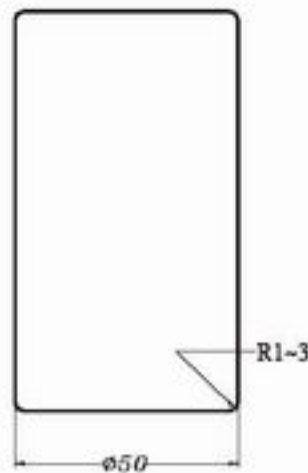
耐衝擊試驗的重錘形狀與質量

The form and weight of falling weight in impact test.

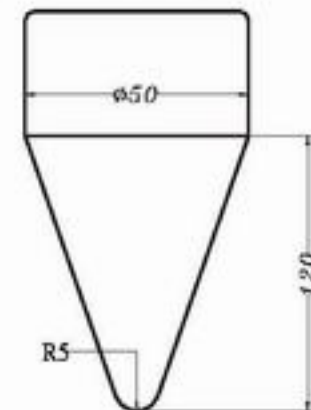
標稱管徑 13 ~ 27 用
(圓柱狀重錘 1kg)



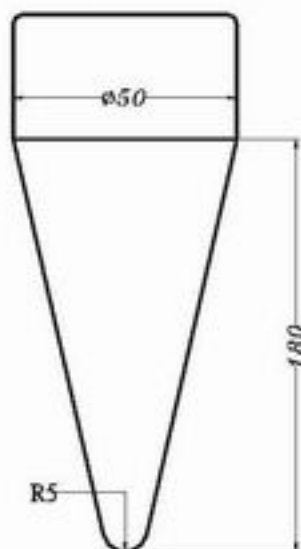
標稱管徑 30 ~ 65 用
(圓柱狀重錘 3kg)



標稱管徑 80 ~ 250 用
(圓錐狀重錘 9kg)



標稱管徑 300-400 用
(圓錐狀重錘 10.5kg)



3

PVC 管・接頭之物理及化學性質

Chemical and Physical Properties of PVC Pipe and Fitting

4. 導電線用 PVC 管 PVC Pipe for Electric Conduct use

試驗項目 Test Items	試驗值 Test Value	試驗標準 Test standard
拉力強度試驗 Tensile Strength Test	500kg/cm ² 以上 above 500kg/cm ²	CNS 1302 K3006
壓扁試驗 Flattening Test	不破裂 Nonbroken	
耐電壓試驗 Dielectric Test	不破裂 Nonbroken	
耐燃性試驗 Incombustibility	能自熄 Shall be Self Extinguishing	
耐熱性試驗 Elongation or Shrinkage under Heat	± 1% 以內 below ± 1%	

5. 管筏用 PVC 管 PVC Pipe for Raft

試驗項目 Test Items	試驗值 Test Value	試驗標準 Test standard
拉力強度試驗 Tensile Strength Test	500kg/cm ² 以上 above 500kg/cm ²	CNS 12698 K3094
壓扁試驗 Flattening Test	不破裂 Non-broken	
比 重 Specific Gravity	1.42 ± 0.03	
灰分試驗 Ash Content Test	4% 以下 below 4%	
落錘衝擊試驗 Ball Impact Test	不破裂 Non-broken	
沙不衝擊強度 Charpy Impact Strength	5.0kgf-cm/cm ² 以上 above 5.0kgf-cm/cm ²	
耐藥品件 Chemical Resistance	10% 氯化鈉溶液 10% Sodium Chloride Solution 40% 氫氧化鈉溶液 40% Sodium Hydroxide Solution 柴油 Diesel fuels	
耐候性 Weather Resistance	沙不衝擊變化率 Charpy Impact Change Ratio	80% 以上 above 80%

6. PVC 接頭配件 (給水用) PVC Fitting(Water supply)

試驗項目 Test Items		試驗值 Test Value			試驗標準 Test standard
拉力強度試驗 Tensile Strength Test		480kg/cm ² 以上 above 480kg/cm ²			CNS 2334 K3011
水壓試驗(kgf/cm ²) Hydraulic internal pressure Test	標稱管徑(mm) Nominal Pipe Size	13-100	125	150 以上 above 150	
		35	30	25	
灰分試驗 Ash Content Test		4% 以下 below 4%			
材料 VCM 含量 Material's VCM Content		1.0ppm 以下 below 1.0ppm			
溶出試驗 extraction Test	濁度 turbidity	0.5 度以內 below 0.5 degree			
	色度 Colourness	1.0 度以內 below 1.0 degree			
	過錳酸鉀消耗量 KMnO ₄ Consumption	2ppm 以內 below 2ppm			
	鉛溶出量 Pb Extraction	0.008ppm 以下 below 0.008ppm			
	餘氯之減量 Loss of residual Chlorine	0.7ppm 以下 below 0.7ppm			
	臭味 Odor and Taste	無不良氣味 Not Detectable			
VCM 溶出量 VCM Extraction		0.0015ppm 以下 below 0.0015 ppm			

7. PVC 耐衝擊接頭配件 (給水用) High Impact PVC Fitting(Water supply)

試驗項目 Test Items		試驗值 Test Value		試驗標準 Test standard
抗拉強度		在 15°C 時為 49MPa (500kgf/cm ²) 以上		CNS 15010 K3126
耐水壓性		3.5MPa(35.7kgf/cm ²)		
沙不耐衝擊性	耐候前	10kJ/m ² 以上 (0°C)		
	耐候後	14kJ/m ² 以上 (23°C)		
耐落錘衝擊性		無異常現象		
衛氏(Vicat)軟化溫度		72°C 以上		
接頭材料 VCM 含量		1.0 mg/L 以下		
溶出性	濁度	0.2 度以下		
	色度	0.5 度以下		
	過錳酸鉀消耗量	1.5 mg/L 以下		
	鉛	0.005mg/L 以下		
	銻	0.1 mg/L 以下		
	餘氯之減量	0.7 mg/L 以下		
	臭氣及異味	無不良氣味		
	氯乙烯單體(VCM)	0.0015 mg/L 以下		
浸漬性	蒸餾水	+ 0.20mg/cm ² 以內		
	10% 氯化鈉溶液			
	30% 硫酸			
	40% 氫氧化鈉溶液			
	40% 硝酸			

(二) 化學性質 Chemical Properties

下列為化學抗性術語中所用之代表字。

- ⊙：有良好的抗性，不起作用可使用。
○：略加注意可使用。
×：不能使用。

The followings are the marks for the Technical terms of Chemical Resistance.

- ⊙：Fine resistance, no action, usable.
○：Usable with care.
×：Unusable.

化學品 CHEMICAL	23°C 60°C	化學品 CHEMICAL	23°C 60°C
乙醛 Acetaldehyde	× ×	鉍鹽 Barium salts	⊙ ⊙
乙醛 40°C 水溶液 Acetaldehyde, aq 40%	○ ×	啤酒 Beer	⊙ ⊙
乙醯胺 Acetamide		甜菜糖溶液 Beet sugar liquor	⊙ ⊙
醋酸蒸氣 Acetic acid, vapor	⊙ ⊙	苯甲醛 10% 溶液 Benzaldehyde, 10%	⊙ ×
冰醋酸 Acetic acid, glacial	⊙ ×	苯甲醛 10% 以上 Benzaldehyde, above 10%	× ×
20% 醋酸 Acetic acid, 20%	⊙ ⊙	苯 Benzene(benzol)	× ×
80% 醋酸 Acetic acid, 80%	⊙ ○	苯磺酸 10% Benzene sulfonic acid, 10%	⊙ ⊙
醋酸酐 Acetic anhydride	× ×	苯磺酸 Benzene sulfonic acid	× ×
丙酮 Acetone	× ×	苯甲酸(安息香酸) Benzoic acid	⊙ ⊙
乙炔(電石氣) Acetylene	○ ○	黑液(紙廠) Black liquor/paper	⊙ ⊙
己二酸 Adipic acid	⊙ ⊙	漂液 12.5% 有效氯 Bleach, 12.5% active chlorine	⊙ ⊙
丙烯醇 Alcohol, allyl	⊙ ○	漂液 5.5% 有效氯 Bleach, 5.5% active chloride	⊙ ⊙
丁基苯醇 Alcohol, butyl benzyl	× ×	硼砂 Borax	⊙ ⊙
丁醇(正丁醇) Alcohol, butyl (n-butanol)	⊙ ⊙	硼酸 Boric acid	⊙ ⊙
丁醇(丁醇-2) Alcohol, butyl (2-butanol)	⊙ ×	三氯化硼 Boron trifluoride	⊙ ⊙
乙醇 Alcohol, ethyl	⊙ ⊙	溴酸 Bromic acid	⊙ ⊙
六烷醇 Alcohol, hexyl	⊙ ⊙	液溴 Bromine liquid	× ×
異丙醇(丙醇-2) Alcohol, isopropyl (2-propanol)	⊙ ⊙	25% 溴氣 Bromine, gas, 25%	⊙ ⊙
甲醇 Alcohol, methyl	⊙ ⊙	溴水 Bromine, aq	⊙ ⊙
丙醇 Alcohol, propyl (1-propanol)	⊙ ⊙	丁二烯 Butadiene	⊙ ⊙
氯丙烯 Allyl chloride	× ×	丁烷 Butane	⊙ ⊙
明礬 Alums	⊙ ⊙	丁四醇 Butantetro(erythritol)	⊙ ×
氣氨 Ammonia, gas	⊙ ⊙	丁二醇 Butanediol	⊙ ⊙
液氨 Ammonia, liquid	× ×	醋酸丁酯 Butyl acetate	× ×
氨水 Ammonia, aq	⊙ ⊙	丁基酚 Butyl phenol	⊙ ×
銨鹽(除氟化物) Ammonium salts, except fluoride	⊙ ⊙	丁烯 Butylene	⊙ ⊙
氟化銨 25% Ammonium fluoride, 25%	⊙ ○	丁酸 Butyric acid	⊙ ×
醋酸戊酯 Amylacetate	× ×	鈣鹽水溶液 Calcium Salts aq	⊙ ⊙
苯胺 Aniline	× ×	次氯酸鈣 Calcium hypochlorite	⊙ ⊙
氯化苯胺 Aniline chlorohydrate	× ×	氫氧化鈣 Calcium hydroxide	⊙ ⊙
苯胺鹽酸鹽 Aniline hydrochloride	× ×	蔗糖液 Cane sugar liquors	⊙ ⊙
苯胺染料(素)料 Aniline dyes	× ×	二硫化碳 Carbon bisulfide	× ×
蒽醌染料 Anthraquinone	⊙ ⊙	二氧化碳 Carbon dioxide	⊙ ⊙
蒽醌磺酸 Anthraquinone sulfonic acid	⊙ ⊙	二氧化碳水溶液 Carbon dioxide, aq	⊙ ⊙
三氯化銻 Antimony trichloride	⊙ ⊙	一氧化碳 Carbon monoxide	⊙ ⊙
王水 Aqua regia	○ ×	四氯化碳 Carbon tetrachloride	⊙ ×
砷酸 80% Arsenic acid, 80%	⊙ ⊙	酪蛋白 Casein	⊙ ⊙
苯基磺酸 Aryl-sulfonic acid	⊙ ⊙	蓖麻油 Castor oil	⊙ ⊙

3

PVC 管・接頭之物理及化學性質

Chemical and Physical Properties of PVC Pipe and Fitting

化學品 CHEMICAL	23°C 60°C	化學品 CHEMICAL	23°C 60°C
苛性鉀 (氫氧化鉀) Caustic potash (potassium hydroxide)	◎ ◎	鄰、苯二甲酸二丁酯 Dibutyl phthalate	× ×
苛性鈉 (氫氧化鈉) Caustic Soda (sodium hydroxide)	◎ ◎	癸二酸二丁酯 Dibutyl sebacate	○ ×
賽璐蘇 cellosolve	◎ ○	二氯化苯 Dichlorobenzene	× ×
醋酸纖維素賽璐蘇溶液 Cellosolve acetate	◎	二氯乙烯 Dichloroethylene	× ×
三氯乙醛水化物 Chloral hydrate	◎ ◎	醚類 Ethers	× ×
氯胺 Chloramine	◎ —	乙酯類 Ethyl esters	× ×
20% 氯酸 Chloric acid, 20%	◎ ◎	兩化乙烷類 Ethyl esters	× ×
氯氣 (乾) Chlorine, gas, dry	○ ×	氯化乙烷類 Ethylene halides	× ×
氯氣 (濕) Chlorine, gas, wet	× ×	乙二醇 Ethylene glycol	◎ ◎
液氯 Chlorine, liquid	× ×	環氧乙烷 Ethylene oxide	× ×
氯水 Chlorine water	◎ ◎	脂肪酸 Fatty acids	◎ ◎
氯化醋酸 Chloroacetic acid	◎ ◎	鐵鹽 Ferric salts	◎ ◎
氯苯 Chlorobenzene	× ×	氟氣 (乾) Fluorine, dry gas	○ ×
氯化苄基苯 Chlorobenzyl chloride	× ×	氟氣 (濕) Fluorine, wet gas	○ ×
氯仿 (二氯甲烷) Chloroform	× ×	氟硼酸 25% Fluoboric acid, 25%	◎ ◎
氯磺酸 Chlorosulfonic acid	◎ ×	氟矽酸 Fluosilicic acid	◎ ◎
鉻酸 10% Chromic acid, 10%	◎ ◎	甲醛 Formaldehyde	◎ ◎
鉻酸 30% Chromic acid, 30%	◎ ○	蟻酸 Formic acid	◎ ×
鉻酸 40% Chromic acid, 40%	◎ ○	冷媒—F11, F12, F113, F114 heort-F11, F12, F113, F114	◎ ◎
鉻酸 50% Chromic acid, 50%	× ×	冷媒—F21, F22 Freon-F21, F22	× ×
檸檬酸 Citric acid, 20%	◎ ◎	小果汁及果肉 Fruit juices and pulps	◎ ◎
椰子油 Coconut oil	◎ ◎	燃料油 Fuel oil	○ ×
煉硫爐氣 coke oven gas	◎ ◎	呋喃醇 Furfural	× ×
銅鹽水溶液 Copper salts, aq	◎ ◎	煤氣 Gas, coal, manufactured	× ×
玉米油 Corn oil	◎ ◎	天然瓦斯、甲烷 Gas, natural, methane	◎ ◎
玉米甜漿 Corn syrup	◎ ◎	汽油 Gasolines	○ ○
棉花子油 Cottonseed oil	◎ ◎	明膠 (動物膠) Gelatin	◎ ◎
甲酚 Cresol	× ×	甘油 (內二醇) Glycerine (Glycerol)	◎ ◎
甲基苯甲酸 Cresylic acid, 50%	◎ ◎	二醇類 Glycols	◎ ◎
乙醛巴豆 Croton aldehyde	× ×	動物膠 Gluc, animal	◎ ◎
天然油 (原油) Crudo oil	◎ ◎	羥化醋酸 HOCH ₂ COOH Glycolic acid	◎ ◎
環己烷 Cyclohexane	× ×	綠液二氫酸 Green liquor, paper	◎ ◎
環己醇 Cyclohexanol	× ×	沒食子酸 Gallic acid	◎ ◎
環己酮 Cyclohexanone	× ×	庚烷 Heptane	◎ ◎
重氮鹽 Diazo salts	◎ ◎	己烷 Hexane	◎ ○
柴油 Diesel fuels	◎ ◎	20% 氫溴酸 Hydrobromic acid, 20%	◎ ◎
二乙基胺 Diethyl amine	× ×	鹽酸 Hydrochloric acid	◎ ◎
鄰、苯二甲酸、二辛酯 Dioctyl phthalate	× ×	10% 氫溴酸 Hydrobromic acid, 10%	◎ ○
磷酸二鈉 Disodium phosphate	◎ ◎	60% 氫溴酸 Hydrobromic acid, 60%	◎ ○
乙二醇酸鹽 Diglycolic acid	◎ ◎	100% 氫溴酸 Hydrobromic acid, 100%	◎ ○
1,4-二噁烷 dioxane-1,4	× ×	氫氰酸 Hydrocyanic acid	◎ ◎
二甲基胺 Dimethylamine	◎ ◎	氫 Hydrogen	◎ ◎
二甲基甲酰胺 Dimethyl formamide	× ×	50% 過氧化氫 Hydrogen peroxide, 50%	◎ ◎
清潔劑水溶液 Detergents, aq	◎ ◎	90% 過氧化氫 Hydrogen peroxide, 90%	◎ ◎
		硫化氫水溶液 Hydrogen sulfide, aq	◎ ◎

3

PVC 管 · 接頭之物理及化學性質

Chemical and Physical Properties of PVC Pipe and Fitting

化學品 CHEMICAL	23°C 60°C	化學品 CHEMICAL	23°C 60°C
硫化氫、乾 Hydrogen sulfide, dry	⊙ ⊙	甲基磺酸 Methyl sulfonic acid	⊙ ⊙
對苯二酚 Hydroquinone	⊙ ⊙	二溴甲烷 Methylene bromide	× ×
脛胺硫酸鹽 Hydroxylamine sulfate	⊙ ⊙	二氯甲烷 Methylene chloride	× ×
聯胺 Hydrazine	× ×	二碘甲烷 Methylene iodine	× ×
二次氯酸 Hypochlorous acid	⊙ ⊙	牛奶 Milk	⊙ ⊙
3% 碘 碘化鉀水溶液 Iodine, in KI, 3%,aq	○ ×	礦物油 Mineral oil	⊙ ⊙
碘酒精溶液 Iodine, alc	× ×	混合酸 (硫酸及硝酸) Mixed acids (sulfuric & nitric)	○ ×
10% 碘水溶液 Iodine, aq, 10%	× ×	混合酸 (硫酸及磷酸) Mixed acids (sulfuric & phosphoric)	⊙ ⊙
噴射燃料 JP-4 和 JP-5 Jet fuels, JP-4 and JP-5	⊙ ⊙	糖蜜 Molasses	× ×
煤油 Korosene	⊙ ⊙	一氯化苯 Monochlorobenzene	× ×
酮類 Ketones	× ×	乙醇一胺 Monoethanolamine	× ×
牛皮紙溶液 Kraft paper liquor	⊙ ⊙	機車油 Motor oil	⊙ ⊙
漆溶劑類 Lacquer thinners	○ ×	石油精 Naphtha	⊙ ⊙
乳酸 25% Lactic acid, 25%	⊙ ⊙	奈 Naphthalene	× ×
豬油 Lard oil	⊙ ⊙	鎳鹽 Nickel salts	⊙ ⊙
十二酸 Lauric acid	⊙ ⊙	尼古丁 Nicotine	⊙ ⊙
氯化十二烷 Lauryl chloride	⊙ ⊙	尼古丁酸 Nicotinic acid	⊙ ⊙
硫酸化十二烷 Lauryl sulfate	⊙ ⊙	硝酸 0 至 50% Nitric acid, 0 to 50%	⊙ ○
鉛鹽 Lead salts	⊙ ⊙	硝酸 60% Nitric acid, 60%	⊙ ○
石灰硫磺 Lime sulfur	⊙ ⊙	硝酸 70% Nitric acid, 70%	⊙ ○
亞麻仁油酸 Linoleic acid	⊙ ⊙	硝酸 80% Nitric acid, 80%	○ ○
亞麻仁油 Linseed oil	⊙ ⊙	硝酸 90% Nitric acid, 90%	○ ×
甜酒 Liqueurs	⊙ ⊙	硝酸 100% Nitric acid, 100%	× ×
酒 Liqueurs	⊙ ⊙	發煙硝酸 Nitric acid, fuming	× ×
鹽類 Lithium salts	⊙ ⊙	硝化苯 Nitrobenzene	× ×
潤滑油 Lubricating oils	⊙ ⊙	硝化甘油 Nitroglycerine	× ×
機油 Machine Oil	⊙ ⊙	亞硝酸 Nitrous acid	⊙ ○
鎂鹽 Magnesium salts	⊙ ⊙	一氧化二氮、氣 Nitrous oxide, gas	⊙ ○
馬來酸 Maleic acid	⊙ ⊙	硝化二醇 Nitroglycol	× ×
蘋果酸 Malic acid	⊙ ⊙	硝化丙烷 Nitropropane	○ ○
硫酸錳 Manganese sulfate	⊙ ⊙	蔬菜油 Oils, vegetable	⊙ ⊙
汞鹽 Mercuric salts	⊙ ⊙	油及脂肪 Oils and fats	⊙ ⊙
水銀 (汞) Mercury	⊙ ⊙	油酸 Oleic acid	⊙ ⊙
異內二烯內酮 Mesityl oxide	× ×	發煙硫酸 Oleum	× ×
金屬皂水溶液 Metallic soaps, aq	⊙ ⊙	橄欖油 Olive oil	○ —
甲烷 Methane	⊙ ⊙	草酸 Oxalic acid	⊙ ⊙
醋酸甲酯 Methyl acetate	× ×	氧氣 Oxygen, gas	⊙ ⊙
溴化甲烷 Methyl bromide	× ×	臭氣 Ozone, gas	⊙ ○
甲基溶劑類 Methyl cellosolve	× ×	棕櫚酸 10% Palmitic acid, 10%	⊙ ⊙
氯化甲烷 Methyl chloride	× ×	棕櫚酸 70% Palmitic acid, 70%	⊙ ×
甲基甲仿 Methyl chloroform	× ×	石蠟 Paraffin	⊙ ⊙
甲基環己酮 Methyl cyclohexanone	× ×	戊烷 Pentane	○ ○
甲基丙烯酸甲酯 Methyl methacrylate	⊙ —	40% 過氧酸 Peroacetic acid, 40%	⊙ ×
水楊酸甲酯 Methyl salicylate	⊙ ⊙	10% 過氧酸 Peroacetic acid, 10%	⊙ ○
硫酸甲酯 Methyl sulfate	⊙ ○	70% 過氧酸 Peroacetic acid, 70%	⊙ ×

3

PVC 管・接頭之物理及化學性質

Chemical and Physical Properties of PVC Pipe and Fitting

化學品 CHEMICAL	23°C 60°C	化學品 CHEMICAL	23°C 60°C
四氯乙烯 Tetrachloroethene	○ ○	亞硫酸鹽溶液 Sulfite liquor	○ ○
石油、粗品 Petroleum, sour	○ ○	硫磺 Sulfur	○ ○
酚 Phenol	○ ×	糖溶液 Sugars, aq	○ ○
苯基碳 Iphenylcarbinol	× ×	二氧化硫、乾 Sulfur dioxide, aq	○ ○
苯基 Phenylhydrazine	× ×	二氧化硫、濕 Sulfur dioxide, wet	○ ○
米基 IICI Phenylhydrazine IICI	○ ×	三氧化硫、乾 Sulfur dioxide, aq	○ ○
光氣液態氣態 Iphosgene, liquid, gas	○ ○	三氧化硫、濕 Sulfur dioxide, wet	○ ○
液化光氣 Phosgene, liquid	× ×	硫酸至 70% Sulfuric acid, up to 70%	○ ○
磷酸 Phosphorus, acid	○ ○	硫酸 70% ~ 90% Sulfuric acid, 70 to 90%	○ ○
黃磷 Iphosphorus, yellow	○ ○	硫酸 90% ~ 100% Sulfuric acid, 90 to 100%	○ ×
紅磷 Phosphorus, red	○ ○	亞硫酸 Sulfurous acid	○ ×
五氧化二磷 Phosphorus pentoxide	○ ○	妥爾油 Tall oil	○ ○
三氯化磷 Iphosphorus trichloride	× ×	丹寧酸 Tannic acid	○ ○
照片化學藥品水溶液 Photographic chemicals, aq	○ ○	丹寧酒 Tanning liquors	○ ○
鄰-米二甲酸 Phthalic acid	○ ○	酒石酸 Tartaric acid	○ ○
苦味酸 Picric acid	× ×	四氯乙烷 Tetrachloroethane	○ ○
金屬溶劑 Plating solutions, metal	○ ○	四乙鉛 Tetraethyl lead	○ ○
鉀鹽水溶液 Potassium salts, aq	○ ○	四氫呋喃 Tetrahydrofuran	× ×
過錳酸鉀 25% Potassium permanganate, 25%	○ ○	二氯氧化硫(SOCl ₂) Thionyl chloride	× ×
烷磺酸鉀 Potassium alkyl xanthates	○ ×	線切油 Thread cutting oils	○ -
丙烷 Propane	○ ○	一烯帖醇(香油腦) Terpineol	○ ○
二氯丙烷 Propylene dichloride	× ×	四氯化鈦 Titanium tetrachloride	○ ×
丙二醇 Propylene glycol	○ ○	甲苯 Toluene	× ×
環氧丙烷 Propylene oxide	× ×	磷酸三丁酯 Tributyl phosphate	× ×
吡啶 Pyridine	× ×	檸檬酸二丁酯 Tributyl citrate	○ -
焦性沒食子酸 Pyrogallol acid	○ ○	磷酸三甲酚酯 Tricresyl phosphate	× ×
螺氣凝結浴液 Rayon coagulation bath	○ ○	三氯化醋酸 Trichloroacetic acid	○ ○
海水 Sea water	○ ○	二氯乙烯 Trichloroethylene	× ×
水楊酸 Salicylic acid	○ ○	三乙醇胺 Triethanolamine	○ ○
水楊醛 Salicylaldehyde	○ ○	三乙基胺 Triethylamine	○ ○
硒酸 Selenic acid	○ ○	松節油 Turpentine	○ ○
下水道之污物住宅區 Sewage, residential	○ ○	尿素 Urea	○ ○
矽酸 Silicic acid	○ ○	尿 Urine	○ ○
矽油 Silicone oil	○ ×	凡士林 Vaseline	× ×
銀鹽 silver salts	○ ○	蔬菜油 Vegetable oils	○ ○
肥皂 Soaps	○ ○	醋 Vinegar	○ ○
鈉鹽、溶液 Sodium salts, aq, except	○ ○	醋酸乙酯 Vinyl acetate	× ×
氯化鈉(食鹽) sodium chloride	○ ○	蒸餾水 Water, distilled	○ ○
氯酸鈉 Sodium chlorate	○ ○	活水 Water, fresh	○ ○
重鉻酸鈉、酸性 Sodium dichromate, acid	○ ○	地下水 Water, mine	○ ○
過硼酸鈉 Sodium perborate	○ ○	鹽水 Water, salt	○ ○
氯化錫 Stannic chloride	○ ○	龍頭水 Water, tap	○ ○
二氯化錫 Stannous chloride	○ ○	威士忌 Whiskey	○ ○
澱粉 Starch	○ ○	酒 Wines	○ ○
硬脂酸 Stearic acid	○ ○	二甲苯 Xylene	× ×
斯多德爾溶劑 Stoddard solvent	× ×	鋅鹽 Zinc salts	○ ○

※化學抗性資料僅提供參考用

4

PVC 管規格

Specification of PVC Pipe

(一) 一般用管 PVC pipe for general purpose
(CNS 1298)

* A 管 (薄管)

TYPE A (Thin Wall)

單位 Unit: m/m

標稱管徑 Nominal Pipe Size	外徑 及許可差 Outside Diameter and Tolerance	厚度 Wall Thickness		近似內徑 (參考) Approx. Inside Diameter	質量 (參考) Approx. Weight (kg/M)	20°C 許可 操作壓力 Allow working Pressure at 20°C (kgf/cm ²)	長度 Length (M)
		最小 Minimum	許可差 Tolerance				
13	3/8"	18 ± 0.2	1.8	+ 0.4	14	0.144	4M
16	1/2"	22 ± 0.2	1.8	+ 0.4	18	0.180	4M
20	3/4"	26 ± 0.2	1.8	+ 0.4	22	0.216	4M
27	1"	34 ± 0.3	1.8	+ 0.4	30	0.289	4M
35	1 1/4"	42 ± 0.3	1.8	+ 0.4	38	0.361	4M
40	1 1/2"	48 ± 0.4	1.8	+ 0.4	44	0.415	4M
50	2"	60 ± 0.5	1.8	+ 0.4	56	0.523	4M
65	2 1/2"	76 ± 0.5	2.7	+ 0.6	70	0.987	4M
80	3"	89 ± 0.5	2.7	+ 0.6	83	1.160	4M
90	3 1/2"	100 ± 0.6	2.7	+ 0.6	94	1.310	4M
100	4"	114 ± 0.6	3.1	+ 0.8	107	1.740	4M
125	5"	140 ± 0.8	4.1	+ 0.8	131	2.750	5M
150	6"	165 ± 1.0	5.1	+ 0.8	154	3.960	5M
200	8"	216 ± 1.3	6.5	+ 1.0	202	6.600	6M
250	10"	267 ± 1.6	7.8	+ 1.2	250	9.910	6M
300	12"	318 ± 1.9	9.2	+ 1.4	298	13.890	6M
350	14"	370 ± 2.2	10.5	+ 1.4	348	18.120	6M
400	16"	420 ± 2.6	11.8	+ 1.6	395	23.150	6M
450	18"	470 ± 3.0	13.2	+ 1.8	442	28.990	6M
500	20"	520 ± 3.5	15.0	+ 2.0	488	35.360	6M
600	24"	630 ± 4.0	18.6	+ 2.8	590	55.010	6M

註：1. 外徑係指任意互相垂直兩外徑之算術平均值。

NOTE: 1. Average OD refers to the arithmetic arithmetic mean value of any two given OD at the right angle to each other.

4

PVC 管規格

Specification of PVC Pipe

* B 管 (厚管)

TYPE B (Thick wall)

單位 Unit: m/m

標稱管徑 Nominal Pipe Size		外徑 及許可差 Outside Diameter and Tolerance	厚度 Wall Thickness		近似內徑 (參考) Approx. Inside Diameter	質量 (參考) Approx. Weight (kg/M)	20°C 許可 操作壓力 Allow working Pressure at 20°C (Kgf/cm ²)	長度 Length (M)
			最小 Minimum	許可差 Tolerance				
13	3/8"	18 ± 0.2	2.3	+ 0.6	13	0.180	20	4M
16	1/2"	22 ± 0.2	2.7	+ 0.6	16	0.257	19	4M
20	3/4"	26 ± 0.2	2.7	+ 0.6	20	0.312	15	4M
27	1"	34 ± 0.3	3.1	+ 0.8	27	0.481	14	4M
35	1 1/4"	42 ± 0.3	3.1	+ 0.8	35	0.608	11	4M
40	1 1/2"	48 ± 0.4	3.7	+ 0.8	40	0.809	10	4M
50	2"	60 ± 0.5	4.1	+ 0.8	51	1.130	9	4M
65	2 1/2"	76 ± 0.5	4.1	+ 0.8	67	1.450	8	4M
80	3"	89 ± 0.5	5.1	+ 0.8	78	2.070	8	4M
90	3 1/2"	100 ± 0.6	5.6	+ 0.8	88	2.540	8	4M
100	4"	114 ± 0.6	6.6	+ 1.0	100	3.420	8	5M
125	5"	140 ± 0.8	7.0	+ 1.0	125	4.490	7.5	5M
150	6"	165 ± 1.0	9.0	+ 1.2	146	6.702	7.5	6M
200	8"	216 ± 1.3	10.5	+ 1.4	194	10.340	7.5	6M
250	10"	267 ± 1.6	13.0	+ 1.8	240	15.860	7.5	6M
300	12"	318 ± 1.9	15.5	+ 2.2	286	22.560	7.5	6M
350	14"	370 ± 2.2	18.0	+ 2.6	333	30.520	7.5	6M
400	16"	420 ± 2.6	20.5	+ 3.0	378	39.480	7.5	6M
450	18"	470 ± 3.0	22.9	+ 3.4	423	49.400	7.5	6M
500	20"	520 ± 3.5	25.3	+ 3.8	468	60.440	7.5	6M
600	24"	630 ± 4.0	30.7	+ 4.0	567	88.070	7.5	6M

註 / NOTE :

1. 外徑係指任意兩相垂直兩外徑之算術平均值。
2. 一般壓力用管為淺灰色。
3. 下水通及建築物污水用管為暗紅色。
4. 其它顏色可經白話議後，予以訂購。

1. Average O.D refers to the arithmetic mean value of any two given O.D at the right angle to each other.
2. PVC pressure pipes for general purposes are light gray.
3. PVC pipes for sewerage and sewer lines are reddish orange.
4. The other colors could be produced by deal with customers.

4

PVC 管規格

Specification of PVC Pipe

* S 管 (厚管)

TYPE S (Rain Pipe)

單位 Unit : m/m

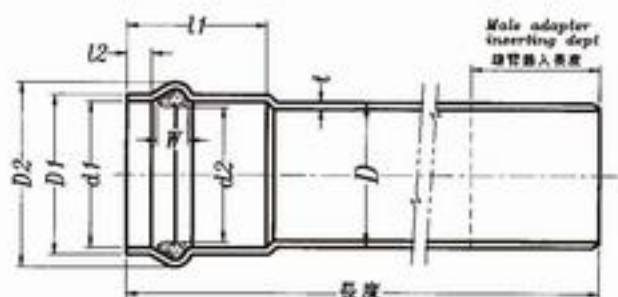
標稱管徑 Nominal Pipe Size	外徑 及許可差 Outside Diameter and Tolerance	厚度 Wall Thickness		近似內徑 (參考) Approx. Inside Diameter	質量 (參考) Approx. Weight (Kg/M)	長度 Length (M)	
		最小 Minimum	許可差 Tolerance				
65	2 1/2"	76 ± 0.5	1.8	+ 0.4	72	0.667	4M

註：外徑係指任意互相垂直兩外徑之算術平均值。

NOTE : Average O.D refers to the arithmetic mean value of any two given O.D at the right angle to each other.

* 活套一般用管

RING-SEAL TYPE FOR GENERAL PURPOSE



單位 Unit : m/m

標稱管徑 Nominal Pipe Size	d1	D1	D2	∅	d2	t	l1	l2	w	雄管插入 長度 Male adapter inserting	長度 Length (M) depth	
40	1 1/2"	49.5 ± 1.0	57	68.5	48 ± 0.4	44.8 ± 0.5	3.7 + 0.8	60 ± 3	12 ± 3	15 ± 0.5	50 ~ 55	4M
50	2"	62 ± 1.0	71	84	60 ± 0.5	56.8 ± 0.7	4.1 + 0.8	70 ± 4	15 ± 3	18 ± 0.5	60 ~ 65	4M ~ 7M
65	2 1/2"	78 ± 1.0	87	103	76 ± 0.5	72.8 ± 0.7	4.1 + 0.8	85 ± 4	20 ± 3	20 ± 0.5	70 ~ 75	4M ~ 7M
80	3"	91 ± 1.0	102.5	118	89 ± 0.5	85.8 ± 0.7	5.1 + 0.8	95 ± 4	20 ± 3	22 ± 0.5	80 ~ 85	4M ~ 7M
90	3 1/2"	103 ± 1.2	115	135	100 ± 0.5	96.2 ± 0.8	5.6 + 0.8	105 ± 4	20 ± 3	23 ± 0.5	90 ~ 95	4M ~ 7M
100	4"	118 ± 1.3	130	151	114 ± 0.6	109.5 ± 1.0	6.6 + 1.0	115 ± 5	20 ± 4	25 ± 0.5	96 ~ 105	5M ~ 7M
125	5"	145 ± 1.6	160	180	140 ± 0.8	135.5 ± 1.0	7.0 + 1.0	135 ± 5	25 ± 4	28 ± 0.6	105 ~ 115	5M ~ 7M
150	6"	170 ± 2.0	186.5	210	165 ± 1.0	160 ± 1.2	9.0 + 1.2	150 ± 5	30 ± 4	32 ± 0.8	120 ~ 130	6M, 7M
200	8"	222 ± 3.0	241	272	216 ± 1.3	210 ± 2.0	10.5 + 1.4	200 ± 10	30 ± 5	40 ± 1.0	170 ~ 180	6M, 7M
250	10"	274 ± 4.0	295	335	267 ± 1.6	261 ± 2.5	13.0 + 1.8	230 ± 15	30 ± 5	50 ± 1.5	200 ~ 210	6M, 7M
300	12"	325 ± 4.0	350	402	318 ± 1.9	311 ± 2.5	15.5 + 2.2	280 ± 20	30 ± 5	60 ± 2.0	245 ~ 260	6M, 7M
350	14"	378 ± 4.0	409	457	370 ± 2.2	362 ± 2.5	18.0 + 2.6	320 ± 20	35 ± 5	60 ± 2.0	285 ~ 300	6M, 7M
400	16"	428 ± 4.0	463	509	420 ± 2.6	412 ± 3.0	20.5 + 3.0	350 ± 20	35 ± 5	60 ± 2.0	315 ~ 330	6M, 7M
450	18"	478 ± 4.0	517	574	470 ± 3.0	461 ± 3.0	22.9 + 3.4	380 ± 25	40 ± 10	70 ± 2.5	345 ~ 360	6M, 7M
500	20"	528 ± 4.0	567	625	520 ± 3.5	508 ± 3.0	25.3 + 3.8	420 ± 25	40 ± 10	70 ± 2.5	385 ~ 400	6M, 7M
600	24"	640 ± 5.0	700	765	630 ± 4.0	615 ± 3.0	30.7 + 4.0	500 ± 30	45 ± 10	80 ± 3.0	465 ~ 480	6M, 7M

4

PVC 管規格

Specification of PVC Pipe

(二) 自來水用管 PVC pipe for drinking water (CNS 4053-1)

* W管
TYPE W

單位 Unit : m/m

標稱管徑 Nominal Pipe Size		外徑 及許可差 Outside Diameter and Tolerance	厚度 Wall Thickness		近似內徑 (參考) Approx. Inside Diameter	質量 (參考) Approx. Weight (Kg/M)	20°C 許可 操作壓力 Allow working Pressure at 20°C (Kgf/cm ²)	長度 Length (M)
			最小 Minimum	許可差 Tolerance				
13	3/8"	18 ± 0.2	2.3	+ 0.6	13	0.180	10	4M
16	1/2"	22 ± 0.2	2.7	+ 0.6	16	0.257		4M
20	3/4"	26 ± 0.2	2.7	+ 0.6	20	0.312		4M
25	1"	32 ± 0.3	3.2	+ 0.6	25	0.450		4M
30	1 1/4"	38 ± 0.3	3.2	+ 0.6	31	0.545		4M
40	1 1/2"	48 ± 0.4	3.7	+ 0.8	40	0.809		4M
50	2"	60 ± 0.5	4.1	+ 0.8	51	1.130		4M
65	2 1/2"	76 ± 0.5	4.1	+ 0.8	67	1.450	8	4M
80	3"	89 ± 0.5	5.1	+ 0.8	78	2.070		4M
100	4"	114 ± 0.6	6.6	+ 1.0	100	3.420	7.6	5M
125	5"	140 ± 0.8	7.5	+ 1.2	124	4.820		5M
150	6"	165 ± 1.0	9.0	+ 1.2	148	6.702		6M
200	8"	216 ± 1.3	10.5	+ 1.4	194	10.340		6M
250	10"	267 ± 1.6	13.0	+ 1.8	239	15.860		6M
300	12"	318 ± 1.9	15.5	+ 2.2	285	22.560		6M
350	14"	370 ± 2.2	18.0	+ 2.6	332	30.520		6M
400	16"	420 ± 2.6	20.5	+ 3.0	376	39.480		6M
450	18"	470 ± 3.0	22.9	+ 3.4	421	49.400		6M
500	20"	520 ± 3.5	25.3	+ 3.8	466	60.440		6M
600	24"	630 ± 4.0	30.7	+ 4.0	565	88.070	6M	

註：外徑係指任意兩相垂直兩外徑之算術平均值。

NOTE : Average O.D refers to the arithmetic arithmetic mean value of any two given O.D at the right angle to each other.

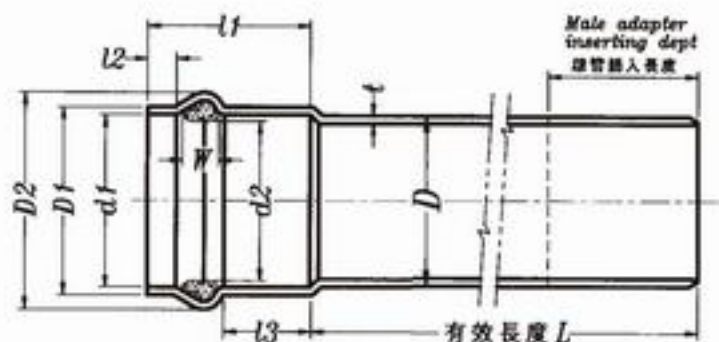
4

PVC 管規格

Specification of PVC Pipe

*活套管（自來水用）

RING-SEAL TYPE FOR DRINKING WATER



單位 Unit : m/m

標稱管徑 Nominal Pipe Size		D	t	d1 (min)	d2	l1 (min)	l2 (min)	l3 (min)	有效長度 L
40	1 1/2"	48 ± 0.4	3.7 + 0.8	48.3	44.8 ± 0.5	56	12 ± 3	22	4M
50	2"	60 ± 0.5	4.1 + 0.8	60.3	56.8 ± 0.7	65	15 ± 3	25	4M ~ 7M
65	2 1/2"	76 ± 0.5	4.1 + 0.8	76.4	72.8 ± 0.7	80	20 ± 3	35	4M ~ 7M
80	3"	89 ± 0.5	5.1 + 0.8	89.5	85.8 ± 0.7	90	20 ± 3	40	4M ~ 7M
100	4"	114 ± 0.6	6.6 + 1.0	114.5	109.5 ± 1.0	110	20 ± 4	55	5M ~ 7M
125	5"	140 ± 0.8	7.5 + 1.2	140.6	135.5 ± 1.0	130	25 ± 4	65	5M ~ 7M
150	6"	165 ± 1.0	9.0 + 1.2	165.7	160 ± 1.2	145	30 ± 4	70	6M, 7M
200	8"	216 ± 1.3	10.5 + 1.4	216.9	210 ± 2.0	185	30 ± 5	95	6M, 7M
250	10"	267 ± 1.6	13.0 + 1.8	268.1	261 ± 2.5	210	30 ± 5	115	6M, 7M
300	12"	318 ± 1.9	15.5 + 2.2	319.3	311 ± 2.5	240	30 ± 5	130	6M, 7M
350	14"	370 ± 2.2	18.0 + 2.6	371.5	362 ± 2.5	300	35 ± 5	160	6M, 7M
400	16"	420 ± 2.6	20.5 + 3.0	421.7	412 ± 3.0	330	35 ± 5	190	6M, 7M
450	18"	470 ± 3.0	22.9 + 3.4	471.9	461 ± 3.0	355	40 ± 10	220	6M, 7M
500	20"	520 ± 3.5	25.3 + 3.8	522.1	508 ± 3.0	395	40 ± 10	260	6M, 7M
500	24"	630 ± 4.0	30.7 + 4.0	633.8	615 ± 3.0	470	45 ± 10	300	6M, 7M

註：200mm(8")以上為活套增厚管。

Remark : Upward 200mm(8") is the ringseal type for drinking water.

4

PVC 管規格

Specification of PVC Pipe

(三) 導電線用管 PVC pipe for conduit (CNS 1302)

* E 管 TYPE E

單位 Unit : m/m

標稱管徑 Nominal Pipe Size	外徑 及許可差 Outside Diameter and Tolerance	厚度 Wall Thickness		近似內徑 (參考) Approx. Inside Diameter	質量 (參考) Approx. Weight (Kg/M)	長度 許可差 Length Toerance	長度 Length (M)
		最小 Minimum	許可差 Tolerance				
13	3/8"	18 ± 0.2	1.8	+ 0.4	14		4M
16	1/2"	22 ± 0.2	1.8	+ 0.4	18		4M
20	3/4"	26 ± 0.2	1.8	+ 0.4	22		4M
28	1"	34 ± 0.3	2.7	+ 0.6	28		4M
35	1 1/4"	42 ± 0.3	3.1	+ 0.8	35	標示值	4M
41	1 1/2"	48 ± 0.4	3.1	+ 0.8	41	+ 30	4M
52	2"	60 ± 0.5	3.6	+ 0.8	52	- 10	4M
65	2 1/2"	76 ± 0.5	4.1	+ 0.8	67		4M
80	3"	89 ± 0.5	5.1	+ 0.8	78		4M
100	4"	114 ± 0.6	6.6	+ 1.0	100		5M
125	5"	140 ± 0.8	7.0	+ 1.0	125		5M
150	6"	165 ± 1.0	8.5	+ 1.4	148		6M
200	8"	216 ± 1.3	10.5	+ 1.4	194		6M

註：外徑係指任意互相垂直兩外徑之算術平均值。

NOTE : Average O.D refers to the arithmetic arithmetic mean value of any two given O.D at the right angle to each other.

* ES-1 管, ES-2 管 TYPE ES-1, ES-2

單位 Unit : m/m

標稱管徑 Nominal Pipe Size	ES-1 管						ES-2 管								
	外徑 及許可差 Outside Diameter and Tolerance	厚度 Wall Thickness		近似內徑 (參考) Approx. inside Diameter	質量 (參考) Approx. Weight (Kg/M)	長度 許可差 Length Tolerance	長度 Length (M)	外徑 及許可差 Outside Diameter and Tolerance	厚度 Wall Thickness		近似內徑 (參考) Approx. Inside Diameter	質量 (參考) Approx. Weight (Kg/M)	長度 許可差 Length Tolerance	長度 Length (M)	
		最小 Minimum	許可差 Tolerance						最小 Minimum	許可差 Tolerance					
80	3"	89 ± 0.5	2.7	+ 0.8	83	1.160	標示值	4M	89 ± 0.5	1.8	+ 0.4	86	0.785	標示值	4M
100	4"	114 ± 0.6	3.6	+ 0.8	106	1.980	+ 30	5M	114 ± 0.6	2.7	+ 0.6	108	1.500	+ 30	4M
125	5"	140 ± 0.8	4.1	+ 0.8	131	2.750	- 10	5M	-	-	-	-	-	- 10	-
150	6"	165 ± 1.0	5.1	+ 0.8	154	3.960		5M	-	-	-	-	-		-

註：外徑係指任意互相垂直兩外徑之算術平均值。

NOTE : Average O.D refers to the arithmetic arithmetic mean value of any two given O.D at the right angle to each other.

4

PVC 管規格

Specification of PVC Pipe

(四)耐衝擊 PVC 管 PVC pipe for High-Impact
(CNS 14345)

單位 Unit : m/m

標稱管徑 Nominal Pipe Size	外徑 及許可差 Outside Diameter and Tolerance	厚度 Wall Thickness		近似內徑 (參考) Approx. Inside Diameter	質 量 (參考) Approx Weight (Kg/M)
		最 小 Minimum	許可差 Tolerance		
13	18 ± 0.2	2.2	+ 0.6	13	0.170
16	22 ± 0.2	2.7	+ 0.6	16	0.251
20	26 ± 0.2	2.7	+ 0.6	20	0.303
25	32 ± 0.3	3.2	+ 0.6	25	0.439
27	34 ± 0.3	3.2	+ 0.6	27	0.469
30	38 + 0.3	3.2	+ 0.6	31	0.531
35	42 + 0.3	3.2	+ 0.6	35	0.592
40	48 ± 0.4	3.6	+ 0.8	40	0.774
50	60 ± 0.5	4.1	+ 0.8	51	1.100
65	76 ± 0.5	4.1	+ 0.8	67	1.410
80	89 ± 0.5	5.5	+ 0.8	77	2.160
100	114 + 0.6	6.6	+ 1.0	100	3.340
125	140 ± 0.8	7.5	+ 1.2	124	4.700
150	165 + 1.0	9.0	+ 1.2	146	6.561
200	216 ± 1.3	10.5	+ 1.4	194	10.080
250	267 ± 1.6	13.0	+ 1.8	239	15.470
300	318 ± 1.9	15.5	+ 2.2	285	21.990
350	370 ± 2.2	18.0	+ 2.6	332	29.750
400	420 ± 2.6	20.5	+ 3.0	376	38.490

註 /NOTE :

1. 外徑係指任意互相垂直兩外徑之算術平均值。
2. 耐衝擊活套管之尺度規格與自來水管相同。
3. 耐衝擊管為藍黑色顏色。
4. 其他顏色可經由協議後予以訂購。

1. Average O.D refers to the arithmetic mean value of any two given O.D at the right angle to each other.
2. The pipe sizes and specification of ringseal type for HighImpact are same with the ringseal type for Drinking water's.
3. PVC pipe for HighImpact is dark black-blue color.
4. The other colors could be produced by deal with customers.

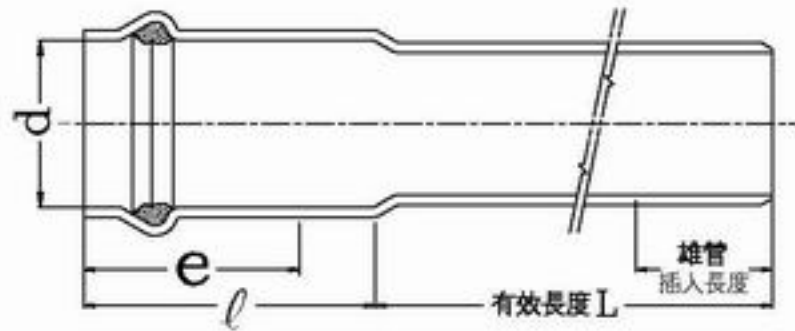
4

PVC 管規格

Specification of PVC Pipe

(五)長型活套管 (A型)

RING-SEAL TYPE A FOR DRINKING WATER



d : 內徑
e : 插入長度
l : 承口長度

單位 Unit : mm

標稱管徑 Nominal Pipe Size	平均內徑(d) (最小值) (min)	有效插入長度(e) (最小值) (min)	承口長度(l) (最小值) (min)	承口厚度		有效長度 L
				最小值 (min)	許可差 Tolerance	
40	48.2	151	215	3.6	+0.8	4M
50	60.3	156	220	4.1	+0.8	4M-7M
65	76.5	156	220	4.1	+0.8	4M-7M
80	89.5	166	220	5.5	+0.8	4M-7M
100	114.6	179	235	6.6	+1.0	5M-7M
125	140.6	191	245	7.5	+1.2	5M-7M
150	165.8	201	250	9.0	+1.2	6M,7M
200	217.0	222	270	10.5	+1.4	6M,7M
250	268.1	248	290	13.0	+1.8	6M,7M
300	319.4	272	310	15.5	+2.2	6M,7M
350	371.6	292	330	18.0	+2.6	6M,7M
400	422.0	312	350	20.5	+3.0	6M,7M

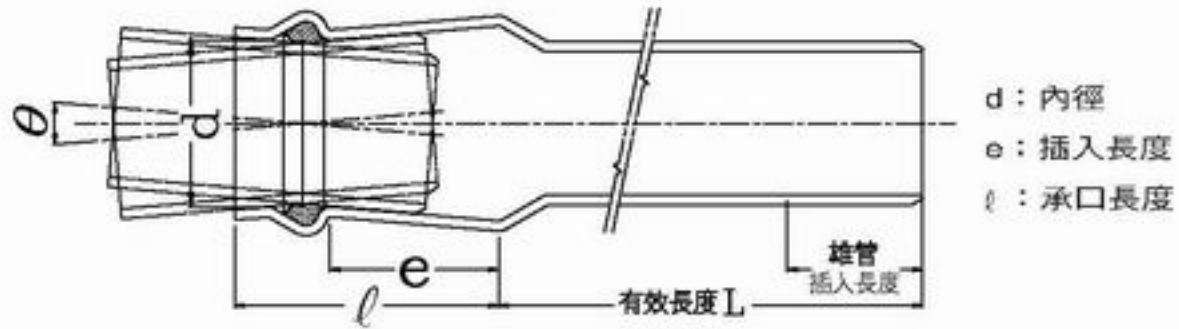
4

PVC 管規格

Specification of PVC Pipe

(六)可撓性活套管 (B 型)

RING-SEAL TYPE B FOR DRINKING WATER



單位 Unit : m/m

標稱管徑 Nominal Pipe Size	平均內徑(d) (最小值) (min)	有效插入長度(e) (最小值) (min)	承口長度(l) (最小值) (min)	承口厚度		有效長度 L
				最小值 (min)	許可差 Tolerance	
40	48.3	44	105	3.6	+0.8	4M
50	60.3	50	125	4.1	+0.8	4M-7M
65	76.4	55	135	4.1	+0.8	4M-7M
80	89.5	60	145	5.5	+0.8	4M-7M
100	114.5	80	160	6.6	+1.0	5M-7M
125	140.6	90	175	7.5	+1.2	5M-7M
150	165.7	100	200	9.0	+1.2	6M,7M
200	216.9	115	235	10.5	+1.4	6M,7M
250	268.1	145	280	13.0	+1.8	6M,7M
300	319.3	170	320	15.5	+2.2	6M,7M
350	371.5	200	355	18	+2.6	6M,7M
400	421.7	230	380	20.5	+3.0	6M,7M

註：可撓性活套管 (B 型) 連接後雄管端之可撓度 θ : $\pm 5^\circ$ 以內。

4

PVC 管規格

Specification of PVC Pipe

(七) 管筏用 PVC 管 PVC pipe for Raft (CNS 12698)

單位 Unit : m/m

標稱管徑 Nominal Pipe Size		外徑 及許可差 Outside Diameter and Tolerance	厚度及 許可差(mm) Wall Thickness and Tolerance	近似內徑 Approx. Inside Diameter	最大長度及 許可差 Greatest Length and Tolerance	質量 (參考) Approx. Weight (Kg/M)
125	5'	140 ± 0.8	3.3 + 0.5	133	10,000 ± 5%	2.150
150	6'	165 ± 1.0	3.7 + 0.7	157	11,000 ± 5%	2.900
200	8'	216 ± 1.3	4.6 + 0.8	206	12,000 ± 5%	4.760
250	10'	267 ± 1.6	6.6 + 1.0	253	13,000 ± 5%	8.210
300	12'	318 ± 1.9	8.0 + 1.2	301	14,000 ± 5%	11.860
350	14'	370 ± 2.2	9.3 + 1.5	350	15,000 ± 5%	16.230
400	16'	420 ± 2.6	11.2 + 1.8	396	16,000 ± 5%	22.080
450	18'	470 ± 3.0	13.1 + 2.0	442	17,000 ± 5%	28.790

註：外徑係指任意互相垂直兩外徑之算術平均值。

NOTE : Average O.D refers to the arithmetic arithmetic mean value of any two given O.D at the right angle to each other.

(八) 鑿井用管 For well drilling engineering

單位 Unit : m/m

標稱管徑 Nominal Pipe Size		外徑 及許可差 Outside Diameter and Tolerance	厚度及 許可差(mm) Wall Thickness and Tolerance	近似內徑 Approx. inside Diameter	重量參考 Approx. Weight (Kg/M)	長度 Length
150	6'	165 ± 1.0	9.0 + 1.2	146	6.702	6M
200	8'	216 ± 1.3	10.5 + 1.4	194	10.340	6M
250	10'	267 ± 1.6	13.0 + 1.8	239	15.860	6M
300	12'	318 ± 1.9	15.5 + 2.2	285	22.560	6M
350	14'	370 ± 2.2	18.0 + 2.6	332	30.520	6M
400	16'	420 ± 2.6	20.5 + 3.0	376	39.480	6M
450	18'	470 ± 3.0	22.9 + 3.4	421	49.400	6M
500	20'	520 ± 3.5	25.3 + 3.8	466	60.440	6M
600	24'	630 ± 4.0	30.7 + 4.0	565	88.070	6M

註：外徑係指任意互相垂直兩外徑之算術平均值。

NOTE : Average O.D refers to the arithmetic arithmetic mean value of any two given O.D at the right angle to each other.

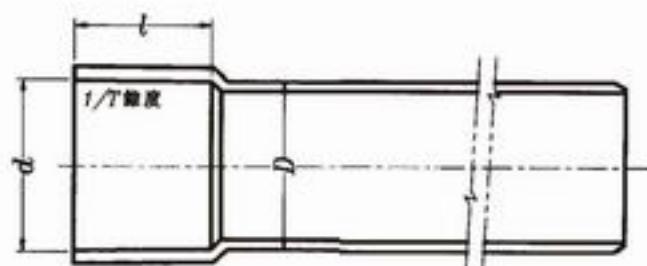
4

PVC 管規格

Specification of PVC Pipe

(九) T.S. 放口管 (單放)

PIPE WITH SOLVENT CEMENT SOCKET (SINGLE SOCKET)



單位 Unit : m/m

標稱管徑 Nominal Pipe Size		d1	1/T	L	D
13	3/8"	18.40 ± 0.20	1/30	26	18 ± 0.2
16	1/2"	22.40 ± 0.20	1/34	30	22 ± 0.2
20	3/4"	26.45 ± 0.20	1/34	35	26 ± 0.25
25	1"-W	32.55 ± 0.25	1/34	40	32 ± 0.3
27	1"	34.55 ± 0.25	1/34	40	34 ± 0.3
30	1 1/4"-W	38.60 ± 0.25	1/34	44	38 ± 0.3
35	1 1/4"	42.60 ± 0.25	1/34	44	42 ± 0.3
40	1 1/2"	48.70 ± 0.30	1/37	55	48 ± 0.4
50	2"	60.80 ± 0.30	1/56	70	60 ± 0.5
65	2 1/2"	76.80 ± 0.30	1/60	90	76 ± 0.5
80	3"	89.80 ± 0.30	1/64	100	89 ± 0.5
90	3 1/2"	100.90 ± 0.35	1/66	110	100 ± 0.6
100	4"	115.00 ± 0.35	1/68	130	114 ± 0.6
125	5"	141.20 ± 0.40	1/70	150	140 ± 0.8
150	6"	166.40 ± 0.45	1/72	170	165 ± 1.0
200	8"	217.80 ± 0.55	1/74	220	216 ± 1.3
250	10"	269.20 ± 0.65	1/76	270	267 ± 1.6
300	12"	320.50 ± 0.80	1/78	310	318 ± 1.9
350	14"	373.00 ± 1.00	1/80	360	370 ± 2.2
400	16"	423.50 ± 1.20	1/82	400	420 ± 2.6
450	18"	474.00 ± 1.40	1/86	440	470 ± 3.0
500	20"	524.00 ± 1.40	1/88	470	520 ± 3.5
600	24"	634.00 ± 1.40	1/90	500	630 ± 4.0

(一) 施工方法 INSTALLATION OF PVC PIPES

(1) 一次插入法 One-time inserting Method :

適用於小口徑管之相接，其施工步驟如下：

This method is suited for connecting medium Diameter pipes. The installation process is as follows :

1. 將兩管管端，先用銼刀或尖尾小刀依 30° 方向削角(雌管削內角，雄管削外角)使管端尖厚剩 $1\text{m}/\text{m}$ 。(管厚 $3\text{m}/\text{m}$ 以上者，剩約 $1/3t$)參照圖 1。
 2. 雌管管端加熱($120\text{--}130^\circ\text{C}$)使軟化(用噴燈或炭火直接加熱或以熱油，熱砂間接加熱均可)。
 3. 雄管端外部均勻塗敷硬質膠合劑，然後插入雌管中，插入深度，小口徑者以管徑之 $1.2\text{--}1.5$ 倍。
 4. 兩管矯正成直線後，用濕布或冷水冷卻，並擦掉洩流於管外之膠合劑。
1. Whittle two edges of adapter with file or knife at 30° angle (whittling in-side angle of female adapter and outside angle of male adapter) until edge thickness comes to about $1\text{m}/\text{m}$ (or $1/3$ thickness if pipe thickness is over $3\text{m}/\text{m}$). Referring to illustration 1.
 2. Heat one edge of female adapter at $120\text{--}130^\circ\text{C}$ to make it soft (heating with blow torch or burning charcoal direct or with hot oil or hot sand indirect).
 3. Smear outside edge of male adapter with adhesive averagely and then insert the edge into female adapter. the inserting depth is $1.2\text{--}1.5$ times of pipe diameter for small diameter pipes.
 4. After two adapters are connected and adjusted to alignment, cool them with cloth or cold water and wipe off the permeated adhesive.



圖1 Fig 1

(2) 二次緊密插入法 Two-time tight inserting method :

適用於中口徑之相接，其施工步驟如下：

This method is suited for connecting large diameter pipes. The installation process is as follows :

1. 將兩管管端依 30° 角度削角，雄管削外角，雌管削內角。方法與一次插入法相同，但較大口徑之削角，可先以噴燈加熱至半軟化後，用小刀切削，再用銼刀略作修整，可使施工速度加快。
 2. 雌管端加熱($120\text{--}130^\circ\text{C}$)使軟化。
 3. 雄管末端塗敷膠合劑前，先在管端塗以牛油等潤滑劑，插入已軟化之雌管，矯正成直線後用濕布或冷水冷卻使之定型。
 4. 在連接處與管軸平行作記號，並在兩管端寫上號碼，以免配管時發生混亂。參照圖 2。
 5. 把雄管拔出然後將兩端之潤滑劑徹底擦拭乾淨，相接時雌雄兩端皆塗上膠合劑，順直線記號，插入定位即成。
1. Whittle edges of two adapters at 30° angle, outside angle of male adapter and inside angle of female adapter, same method as item 1 to whittle angle of large diameter pipes, first heat edges with blow torch to make it soft then whittle with knife and trim with file this can step up installation.
 2. Heat female adapter edge at $120\text{--}130^\circ\text{C}$ to make it soft.
 3. Prior to smearing male adapter edge with adhesive, spread the edge with lubricant such as butter, and insert the lubricated edge into softened female adapter, then adjust them to alignment, and finally cool them with wet cloth or cold water for formation.
 4. Draw a line on connected edges parallel to pipe length direction and write figures on two edges to avoid confusion while connecting referring to illustration 2.
 5. Pull out the male adapter and wipe off the lubricant smeared on two connected edges. Before connecting smear edges of both male and female adapters with adhesive, then insert and locate the adapters along the drawn line.



圖2 Fig 2

(5) 法蘭平口接法 Installation of Flange :

1. PVC管外緣沿 30-45° 角削角，100mm(4")以下，可用鋸刀、銼削，125mm(5")以上可先以噴燈略予加熱半軟後以小刀切削，再以銼刀修整。
2. PVC管插入部份之外緣及法蘭接頭承口內壁，擦拭乾淨後，分別塗佈硬質膠合劑後用力套入，125mm(5")以上之規格，套入後可墊以厚木板或木角材錘擊之，加強密著效果。
3. 溢出之膠合劑，用布加以拭淨。
4. 法蘭接頭與 PVC 管接合後，其法蘭部再與凡而之法蘭螺孔對準中間墊以迫緊(Packing)，以螺絲連墊圈接合之。螺絲之鎖緊，應對角相互進行，以達均勻密接之效果。

1. The outside rim of PVC pipe should be whittled with a knife at a 30 angle. For pipes under 100mm (4") trim with a file above 125mm (5") heat first with a blow torch, whittle and then finalize by trimming with a file.
2. Sweep and clean the inside wall of the flange socket and the outside rim of the PVC pipe to be inserted in, then smear rigid adhesive and insert forcibly. For specification above 125mm (5") a thick board or wooden angle material may be placed under.
3. Wipe the overflow adhesive with a piece of cloth.
4. After flange and PVC pipe are connected, aim the flange bolt holes of valve at the flange part with packing cushioned in between, and then bolt the bolts to couple them. While operating, diagonally screwing is preferred so that even and close effect may be achieved.

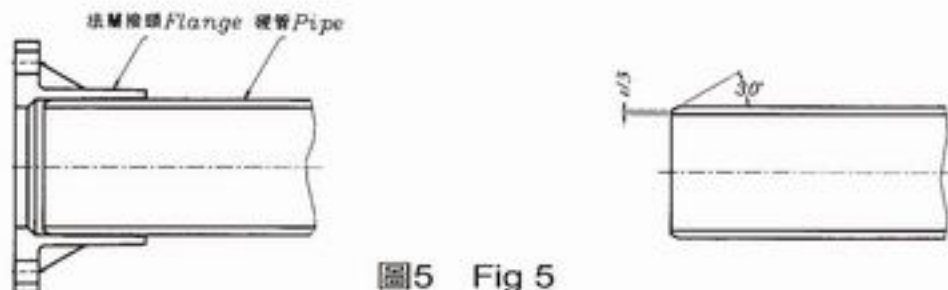


圖5 Fig 5

(6) 活套管之施工法 Installation of ring-seal type pipe :

1. 雄管端削外角，外角係沿 20° 角度削角，其預留之尖端厚度約 1/4t-1/3t。(每支管之削角，出廠前已削妥，如再切斷，須在工地自行削 20° 外角)。
2. 自活套頭內取出套環(橡膠Ring)擦拭乾淨，另活套溝槽內亦予擦拭乾淨。然後活套Ring再予套回(注意活套Ring方向不可裝反)。
3. 雄管端上標註插入長度記號(一般出廠前已標示完成)。
4. 套環內面與雄管管端插入部份塗敷潤滑劑(通常使用肥皂水)，特別注意，不可在活套溝槽潤滑，易導致活套溝槽佈滿潤滑液，失去摩擦力，當雌雄管套接時，活套Ring移位而造成漏水，如圖示。
5. 雌雄管套接(小口徑用人力插接，中口徑管端墊上厚木板或木角材，以木槌槌入，大口徑須用拉緊器插接)，套接後所留之間隙，標稱管徑 50 以下約 10mm，65-100 約 15mm，125-150 約 20mm，200 以上為 25mm。

1. Cut the exterior angle of a male pipe by 20 degree and leave 1/4t-1/3t thickness at its tip. (Each pipe has the angle of chamfer before it goes to the market. If cutting is still needed, one has to pare the pipe by 20 degree at the construction site.)
2. Take out the ring (rubber ring) from the pipe and clean it. Clean the inside of the pipe and mount the ring back. (Notice: Ring shall be installed correctly)
3. Mark the insertion length at the end of the male pipe. (This step usually is done by manufacturer)
4. Lubricate the inner ring and the insertion section of the male pipe. Notice: No lubricant on the ring trough; otherwise it may cause loss of friction of the ring trough when the trough gets lubricated. Also, when male and female pipes combine, the rubber ring may be displaced and causes leaking. See Figure 6.
5. Combination of male and female pipes (In inserting the two, hands are for small sizes, a wooden mallet for middle sizes after the pipes are on a plank or a wooden block, and a puller for large sizes.) The gap after the insertion: about 10mm for smaller than 50; 15mm for 65-100; 20mm for 125-150; 25mm for larger than 200.

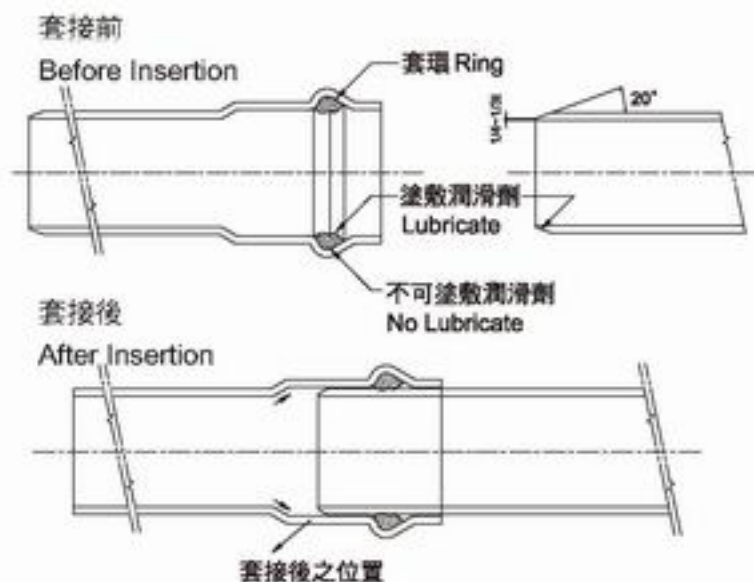


圖6 Fig 6

(二) PVC 管施工應注意事項 Notice Items of PVC Piping Instructions

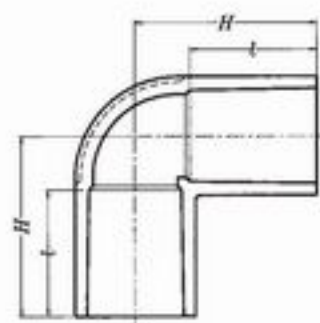
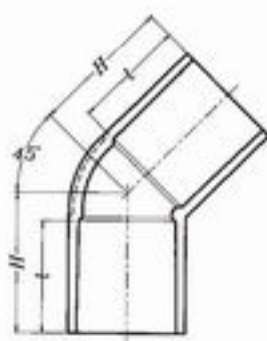
1. 大樓建築物樓板打混凝土之前，自來水管線須依「建築技術規則」建築設備編第二章-給水排水系統及衛生設備第 28 條之規定做水壓試驗。試驗壓力不得低於 $10\text{kg}/\text{cm}^2$ 或最高使用壓力之 1.5 倍，並應保持 1 小時如無漏水始可打混凝土，上述之水壓試驗，一般均每層分別進行。
2. 活套管試水壓時，管線須予蓋土，如環境許可時，可僅留活套頭部份不蓋土，試水前須蓋土的目的，主要為防止活套頭試水壓時之脫開，如在市區因交通流量大，一般可全部蓋土後試水壓。
3. 管線施工後須分段試水壓，每段長度約 500-1000M，試靜水壓力為 $10\text{kg}/\text{cm}^2$ 或使用壓力之 1.5 倍，並維持 1 小時並觀察是否有漏水現象。試壓的管線較高之位置與管端，應裝設排氣閥。
4. 管線埋設須先填砂，厚度最小 10cm，管子配管後，再填砂 10-30cm，使管子不致與石頭直接接觸。
5. 大樓樓板的電氣配管以直線配管為原則，如需要彎曲時，一個彎曲角度應在 90° 以內，且一區間（兩接線盒間）的管線彎曲角度，合計不得超過 270° ，且其配線長度，不得超過 30M。
6. 電氣用管與接線盒，裝配後於打混凝土時應防止受到破壞或損傷，如有破損應即修復，以免混凝土之阻塞影響往後的拉線工作。
7. 樓板內的埋設配管，一個交叉點的管子，應為 2 支以下，不得同一位置有 3 支管子相交叉。
8. 樓板打混凝土作業中，水電人員應常駐於工地，以便處理配管上之突發事件。
9. 筏管不得用於鑿井用途。
10. 硬管如需再加熱加工時，其露出堆放應予覆蓋。

1. Before concreting the floor, run water pressure test on the tape water pipe line according to Article 28, Chapter II, "Construction Technical Rules" with testing water pressure retained for one (1) hour at not lower than $10\text{kg}/\text{cm}^2$, nor higher than 1.5 times of the working pressure. Start concreting only when no leakage is observed. Usually, this test is separately run by floor.
2. Earth coverage over the pipe line is required on testing the water pressure of spigot pipe, which however may be left bare only the connecting parts if working environment permits. The purpose of earth coverage before the test is mainly to prevent the spigot from escaping during the test to be run in where heavy traffic flow occurs, such as in the downtown area.
3. Run the water pressure test by section for approximately every 500-1000M on pipe line completed, at the testing hydrostatic pressure retained for one (1) hour at not lower than $10\text{kg}/\text{cm}^2$, nor higher than 1.5 times of the working pressure. Observe for any leakage. Provide vent valve to the pipe line at the pipe end or at where with higher elevation.
4. Sand filling with layer thickness not less than 10cm is required before the embedment of pipe line. Do not cause the pipe to contact directly with any stone.
5. Linear allocation governs the pipe for electric conduit on the building floor. If bending is required, the bend angle shall not be larger than 90° and not larger than 270° in total in one area (i.e., between two wiring cases). The wiring length shall not be larger than 30M.
6. Prevent the assembled pipe for electric conduit use and wiring cases from being destructed or damaged by concreting. Repair any damage immediately to avoid affecting the subsequent wire pulling by clog of concrete.
7. Number of pipe at intersection embedded in the floor shall not be larger than two as illustrated below. Three or more pipes at the same intersection is not allowed.
8. Civil utilities technician shall be always available on site during the operation of concreting in case of any incident to the piping work.
9. The raft pipe can not be used in well drilling engineering.
10. If the PVC pipes was requested to process by heating, please stored with covers and avoid to be sunned.

6

給水用接頭規格

Specification of PVC Fitting for Water Supply



45° L 型給水接頭 45° ELBOW

單位：mm

規格 SIZE	t	H
16 1/2"	30	38
20 3/4"	35	44
27 1"	40	51
35 1 1/4"	44	56
40 1 1/2"	55	69
50 2"	63	80
65 2 1/2"	69	90
80 3"	72	95
90 3 1/2"	80	105
100 4"	92	121
125 5"	112	150
150 6"	140	185
200 8"	172	224
250 10"	185	248

90° L 型給水接頭 90° ELBOW

單位：mm

規格 SIZE	t	H
13 3/8"	26	36
16 1/2"	30	43
20 3/4"	35	50
25 1"-W	40	58
28 1"	40	60
30 1 1/4"-W	44	65
35 1 1/2"	44	68
40 1 3/4"	55	82
50 2"	63	96
65 2 1/2"	69	110
80 3"	72	120
90 3 1/2"	80	135
100 4"	92	152
125 5"	112	188
150 6"	140	228
200 8"	172	288
250 10"	185	326

註/Remark：

- 1 1/2"以上規格之下水道用為橘紅色。
- 2 製品亦可依點線製造。
- 3 藍黑色製品係耐衝擊接頭。
1. Specification of above 1 1/2" for sewerage use are reddish-orange color.
2. Production can follow the instructions along dashed lines as well.
3. Black-blue fittings means the high-impact fittings.

6

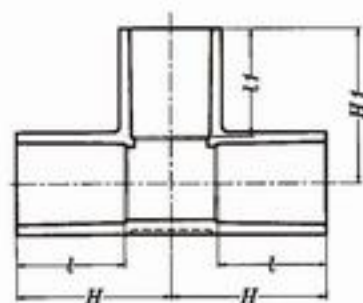
給水用接頭規格

Specification of PVC Fitting for Water Supply

T 型給水接頭 TEE

單位：mm

規格 SIZE	l	l_1	H	H1
13X13	3/8"	26	26	36
16X13	1/2"X3/8"	30	26	41
16X16	1/2"	30	30	43
20X13	3/4"X3/8"	35	26	46
20X16	3/4"X1/2"	35	30	48
20X20	3/4"	35	35	50
25X13	1"X3/8"	40	26	51
25X16	1"X1/2"	40	30	53
25X20	1"X3/4"	40	35	55
25X25	1"W	40	40	58
28X13	1"X3/8"	40	26	51
28X16	1"X1/2"	40	30	53
28X20	1"X3/4"	40	35	55
28X28	1"	40	40	60
30X30	1 1/4"W	44	44	65
35X13	1 1/4"X3/8"	44	26	55
35X16	1 1/4"X1/2"	44	30	57
35X20	1 1/4"X3/4"	44	35	59
35X28	1 1/4"X1"	44	40	64
35X35	1 1/4"	44	44	68
40X13	1 1/2"X3/8"	55	26	66
40X16	1 1/2"X1/2"	55	30	68
40X20	1 1/2"X3/4"	55	35	70
40X25	1 1/2"X1"W	55	40	73
40X28	1 1/2"X1"	55	40	75
40X30	1 1/2"X1 1/4"W	55	44	76
40X35	1 1/2"X1 1/2"	55	44	79
40X40	1 1/2"	55	55	82
50X13	2"X3/8"	63	26	74
50X16	2"X1/2"	63	30	76
50X20	2"X3/4"	63	35	78
50X25	2"X1"W	63	40	81
50X28	2"X1"	63	40	82
50X35	2"X1 1/4"	63	44	86
50X40	2"X1 1/2"	63	55	90
50X50	2"	63	63	96
* 65X28	2 1/2"X1"	69	40	90
65X40	2 1/2"X1 1/2"	69	55	96
65X50	2 1/2"X2"	69	63	102
65X65	2 1/2"	69	69	110
80X20	3"X3/8"	72	35	90
80X28	3"X1"	72	40	94
80X40	3"X1 1/2"	72	55	100
80X50	3"X2"	72	63	105
80X65	3"X2 1/2"	72	69	113
80X80	3"	72	72	120
90X90	3 1/2"	80	80	135
100X40	4"X1 1/2"	92	55	120
100X50	4"X2"	92	63	125
100X80	4"X3"	92	72	140
100X100	4"	92	92	152
125X80	5"X3"	112	72	160
125X100	5"X4"	112	92	174
125X125	5"	112	112	188
150X80	6"X3"	140	72	193
150X100	6"X4"	140	92	202
150X125	6"X5"	140	112	214.5
150X150	6"	140	140	228
200X100	8"X4"	172	92	236.5
200X150	8"X6"	172	140	264
200X200	8"	172	172	287.5
250X250	10"	185	185	325



註/Remark :

- * 表示開模中。
 - 製品亦可依點線製造。
 - 藍黑色製品係耐衝擊接頭。
1. Mark "*" shows mold being developed.
2. Production can follow the instructions along dashed lines as well.
3. Black-blue fittings means the high-impact fittings.

6

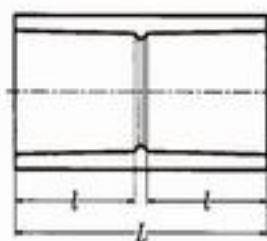
給水用接頭規格

Specification of PVC Fitting for Water Supply

同徑普通給水接頭 COUPLING

單位：mm

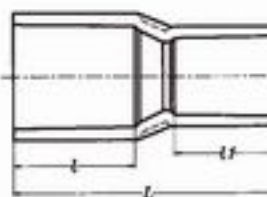
規格 SIZE	l	L
13 $\frac{3}{8}$ "	26	57
16 $\frac{1}{2}$ "	30	65
20 $\frac{3}{4}$ "	35	77
25 1"-W	40	87
28 1"	40	87
35 1 $\frac{1}{4}$ "	44	95
40 1 $\frac{1}{2}$ "	55	117
50 2"	63	133
65 2 $\frac{1}{2}$ "	69	147
80 3"	72	155
90 3 $\frac{1}{2}$ "	80	166
100 4"	92	200
125 5"	112	235
150 6"	140	300
200 8"	172	360
250 10"	185	400



異徑普通給水接頭 REDUCER COUPLING

單位：mm

規格 SIZE	l	l_1	L
16X13 $\frac{1}{2}$ X $\frac{3}{8}$ "	30	26	67
20X13 $\frac{3}{4}$ X $\frac{3}{8}$ "	35	26	68
20X16 $\frac{3}{4}$ X $\frac{1}{2}$ "	35	30	72
25X20 1"X $\frac{1}{2}$ "	40	35	84
28X16 1"X $\frac{1}{2}$ "	40	30	86
28X20 1"X $\frac{3}{4}$ "	40	35	88
35X16 1 $\frac{1}{4}$ X $\frac{1}{2}$ "	44	30	100
35X20 1 $\frac{1}{4}$ X $\frac{3}{4}$ "	44	35	96
35X28 1 $\frac{1}{4}$ X1"	44	40	96
40X16 1 $\frac{1}{2}$ X $\frac{1}{2}$ "	55	30	114
40X20 1 $\frac{1}{2}$ X $\frac{3}{4}$ "	55	35	110
40X28 1 $\frac{1}{2}$ X1"	55	40	112
40X35 1 $\frac{1}{2}$ X1 $\frac{1}{4}$ "	55	44	108
50X16 2"X $\frac{1}{2}$ "	63	30	120
50X20 2"X $\frac{3}{4}$ "	63	35	135
50X28 2"X1"	63	40	136
50X35 2"X1 $\frac{1}{4}$ "	63	44	136
50X40 2"X1 $\frac{1}{2}$ "	63	55	136
65X40 2 $\frac{1}{2}$ X1 $\frac{1}{2}$ "	69	55	150
65X50 2 $\frac{1}{2}$ X2"	69	63	153
80X40 3"X1 $\frac{1}{2}$ "	72	55	165
80X50 3"X2"	72	63	165
80X65 3"X2 $\frac{1}{2}$ "	72	69	165
100X40 4"X1 $\frac{1}{2}$ "	92	55	190
100X50 4"X2"	92	63	208
100X80 4"X3"	92	72	190
125X80 5"X3"	112	72	210
125X100 5"X4"	112	92	225
150X80 6"X3"	140	72	260
150X100 6"X4"	140	92	260
150X125 6"X5"	140	112	295
200X100 8"X4"	172	92	340
200X125 8"X5"	172	112	345
200X150 8"X6"	172	140	350
250X200 10"x8"	185	172	420



註/Remark :

1. 1 $\frac{1}{2}$ "以上規格之下水道用為橘紅色。
2. 製品亦可依點線製造。
3. 藍黑色製品係耐衝擊接頭。

4. * 表示開模中。

1. Specification of above 1 $\frac{1}{2}$ " for sewerage use are reddish-orange color.
2. Production can follow the instructions along dashed lines as well.
3. Black-blue fittings means the high-impact fittings.
4. Mark "*" shows mold being developed.

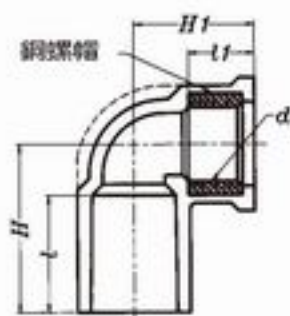
6 給水用接頭規格

Specification of PVC Fitting for Water Supply

L 型水龍頭接頭 FAUCET FITTING—90° Elbow

單位：mm

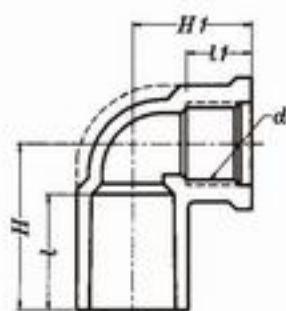
A. 入銅產品 (Insert bronze nut)



規格 SIZE	l	H	螺牙 THREAD		H1
			d	t	
16 1/2"	30	43	PF1/2"	17	31
20 3/4"	35	51	PF3/4"	19	26



B. 不入銅產品 (Without bronze nut)



單位：mm

規格 SIZE	l	H	螺牙 THREAD		H1
			d	t	
13 1/2"W	26	38	PT1/2"	17	29
16 1/2"	30	43	PT1/2"	18	31
20 3/4"	35	51	PT3/4"	19	36



註/Remark：

1. 製品亦可依點線製造。
 2. 藍黑色製品係耐衝擊接頭。
 3. 五樓以上之建築物，其水龍頭接頭請全部使用入銅製品。
1. Production can follow the instructions along dashed lines as well.
2. Black-blue fittings means the high-impact fittings.
3. For buldings above fifth floor, please use insert bronze nut for all faucet fittings.

6

給水用接頭規格

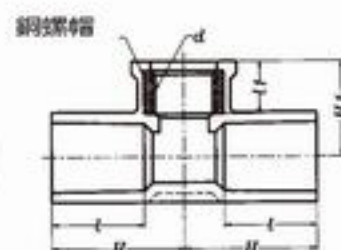
Specification of PVC Fitting for Water Supply

T 型水龍頭接頭 FAUCET FITTING—Fixture TEE

單位：mm

規格 SIZE	l	H	螺牙 THREAD		H1
			d	fl	
16X13 1/2"	30	43	PF 1/2"	17	31
20X13 3/4X1/2"	35	47	PF 1/2"	17	34
20X20 3/4"	35	51	PF 1/2"	19	36

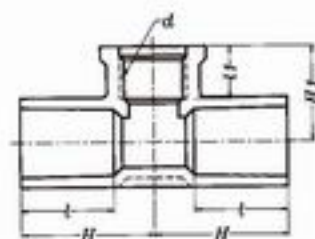
A. 入銅產品
(Insert bronze nut)



單位：mm

規格 SIZE	l	H	螺牙 THREAD		H1
			d	fl	
13X13 1/2"W	26	38	PT 1/2"	17	29
16X13 1/2"	30	43	PT 1/2"	17	31
20X13 3/4X1/2"	35	47	PT 1/2"	17	34
20X20 3/4"	35	51	PT 3/4"	19	36

B. 不入銅產品
(Without bronze nut)



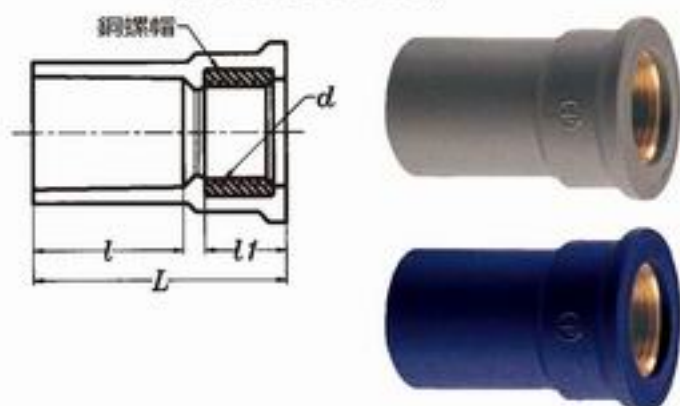
註/Remark：

1. 製品亦可依點線製造。
2. 藍黑色製品係耐衝擊接頭。
1. Production can follow the instructions along dashed lines as well.
2. Black-blue fittings means the high-impact fittings.

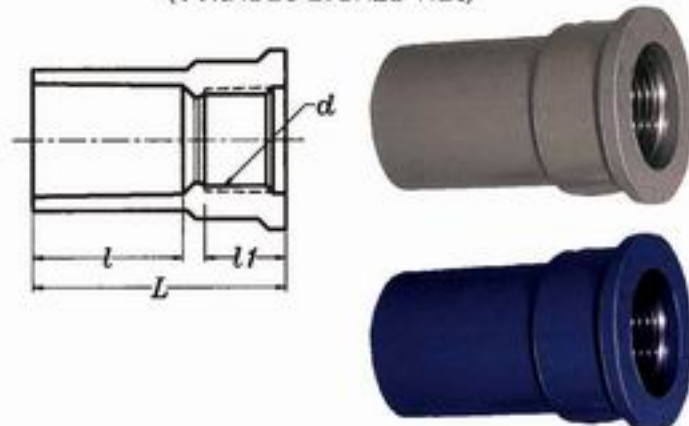
6 給水用接頭規格

Specification of PVC Fitting for Water Supply

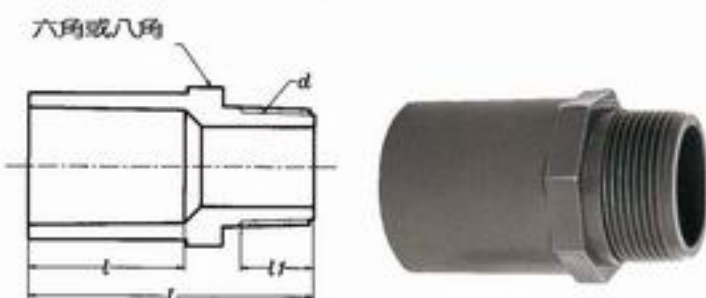
A. 入銅產品
(Insert bronze nut)



B. 不入銅產品
(Without bronze nut)



A. 不入銅產品
(Without bronze nut)



B. 入銅產品
(Insert bronze nut)



註/Remark:

藍黑色製品係耐衝擊接頭。

Black-blue fittings means the high-impact fittings.

S 型水龍頭接頭 FAUCET FITTING—Female Adapter

單位: mm

規格 SIZE	l	螺牙 THREAD		L
		d	l ₁	
16 1/2"	30	PF1/2"	17	52
20 3/4"	35	PF3/4"	19	59

單位: mm

規格 SIZE	l	螺牙 THREAD		L
		d	l ₁	
13 1/2"W	26	PT1/2"	17	47
16 1/2"	30	PT1/2"	19	57
20 3/4"	35	PT3/4"	19	59

止閥接頭 MALE ADAPTER

單位: mm

規格 SIZE	l	螺牙 THREAD		L
		d	l ₁	
13 3/8"	26	PT 1/2"	15	50
16 1/2"	30	PT 1/2"	15	56
20 3/4"	35	PT 3/4"	17	64
25 1"-W	40	PT1"	19	71
28 1"	40	PT1"	19	71
30 1 1/4"W	40	PT1 1/4"	22	80
35 1 1/2"	44	PT1 1/2"	22	80
40 1 1/2"	55	PT1 1/2"	22	92
50 2"	63	PT2"	26	106
65 2 1/2"	70	PT2 1/2"	30	120
80 3"	72	PT3"	33	126
100 4"	92	PT4"	40	146
125 5"	112	PT5"	44	177
150 6"	140	PT6"	44	213

單位: mm

規格 SIZE	l	螺牙 THREAD		L
		d	l ₁	
16 1/2"	30	PT1/2"	15	68
20 3/4"	35	PT3/4"	17	83
28 1"	40	PT1"	19	97
35 1 1/2"	44	PT1 1/2"	22	108
40 1 1/2"	55	PT1 1/2"	22	112
50 2"	63	PT2"	26	130

6

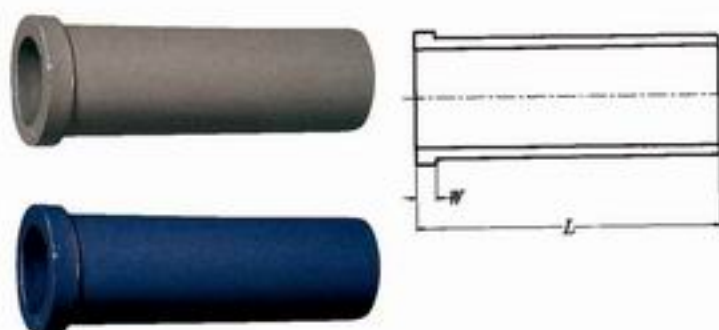
給水用接頭規格

Specification of PVC Fitting for Water Supply

由令 UNION

單位：mm

規格 SIZE	W	L
13 1/2"W	5	80
16 1/2"	5	85
20 3/4"	6	90
25 1"W	7	100
30 1 1/4"W	8	110
40 1 1/2"	8	120
50 2"	9	130



塞頭 CAP

單位：mm

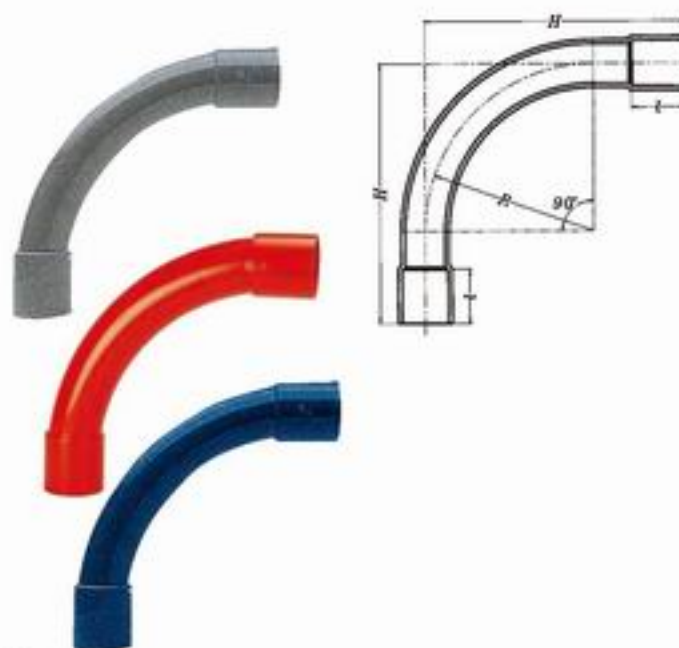
規格 SIZE	l	L	備註 REMARK
13 3/8"	26	29	圖 1 FIG.1
16 1/2"	30	34.5	圖 1 FIG.1
20 3/4"	35	39.5	圖 1 FIG.1
25 1"W	40	44	圖 1 FIG.1
28 1"	40	45	圖 1 FIG.1
30 1 1/4"W	44	48	圖 1 FIG.1
35 1 1/2"W	44	49	圖 1 FIG.1
40 1 1/2"	55	59.5	圖 1 FIG.1
50 2"	63	68	圖 1 FIG.1
65 2 1/2"	69	100	圖 2 FIG.2
80 3"	72	107	圖 2 FIG.2
90 3 1/2"	80	120	圖 2 FIG.2
100 4"	92	138	圖 2 FIG.2
125 5"	112	168	圖 2 FIG.2
150 6"	140	205	圖 2 FIG.2
200 8"	172	260	圖 2 FIG.2



90° 大彎接頭 BEND 90°

單位：mm

規格 SIZE	l	H	H
16 1/2"	30	85	100
20 3/4"	35	100	118
28 1"	40	135	155
35 1 1/4"	44	170	192
40 1 1/2"	55	190	217
50 2"	63	240	271
65 2 1/2"	69	300	334
80 3"	72	360	396
100 4"	92	455	501
125 5"	112	480	536
150 6"	132	530	596



註/Remark：

1. 1 1/2"以上規格之下水道用為橘紅色。
2. 大彎接頭亦可使用於一般及電氣用途。
3. 藍黑色製品係耐衝擊接頭。
1. Specification of above 1 1/2" for sewerage use are reddish-orange color.
2. 90°-bend connectors can be used for general applications and on electrical appliances.
3. Black-blue fittings means the high-impact fittings.

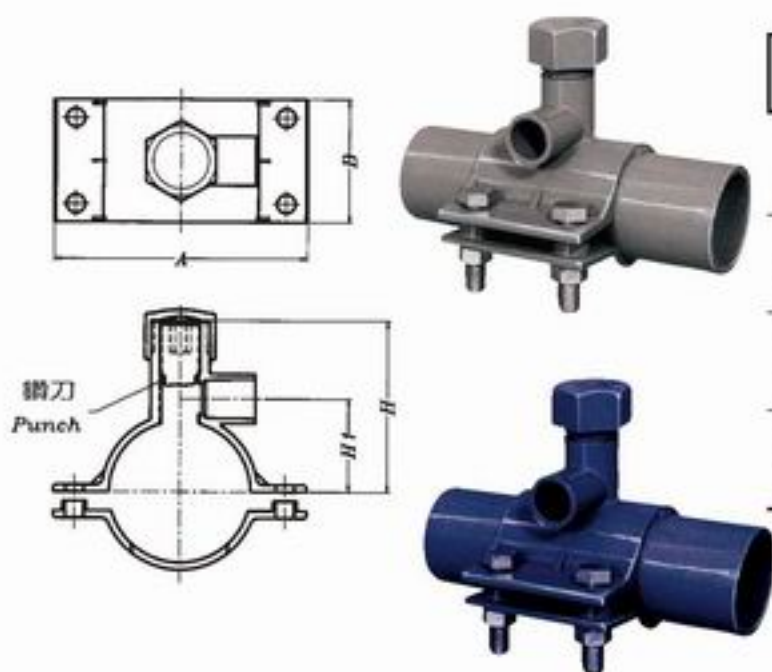
6

給水用接頭規格

Specification of PVC Fitting for Water Supply

不斷水(氣)分水鞍 TAPPING SADDLE

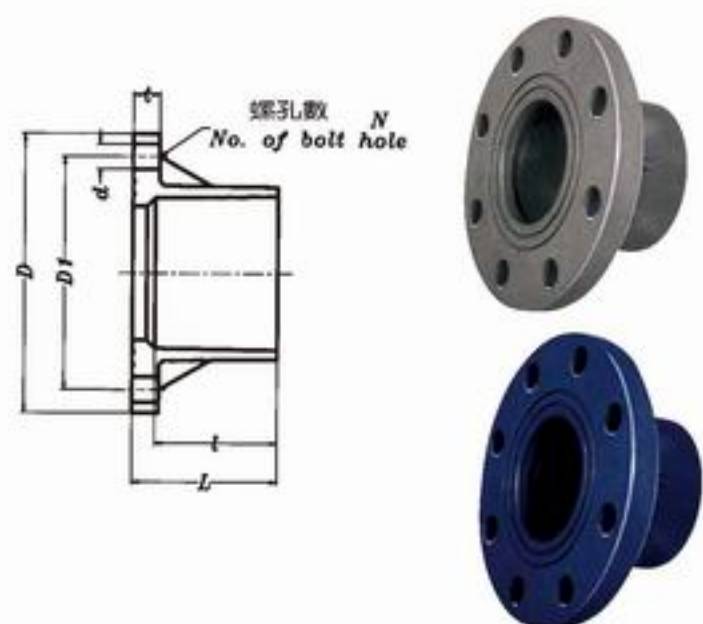
單位: mm



規格 SIZE	A	B	H	H1	螺絲連帽 Bolt & Nut
50X16 2"X1/2"	140	90	88	43	1/2"X45mm
50X20 2"X3/4"	140	90	97	43	1/2"X45mm
50X25 2"X1"W	140	90	108	45	1/2"X45mm
50X28 2"X1"	140	90	108	45	1/2"X45mm
80X16 3"X1/2"	180	95	103	58	1/2"X45mm
80X20 3"X3/4"	180	95	113	59	1/2"X45mm
80X25 3"X1"W	180	95	125	62	1/2"X45mm
80X28 3"X1"	180	95	125	62	1/2"X45mm
100X16 4"X1/2"	205	100	116	71	1/2"X45mm
100X20 4"X3/4"	205	100	127	73	1/2"X45mm
100X25 4"X1"W	205	100	140	77	1/2"X45mm
100X28 4"X1"	205	100	140	77	1/2"X45mm

法蘭接頭 FLANGE

單位: mm



規格 SIZE	D	D1	l	螺孔 Hole		t	L
				d	N		
40 1 1/2"	140	105	55	19	4	17	68
50 2"	155	120	63	19	4	17	76
65 2 1/2"	175	140	69	19	4	18	83
80 3"	185	150	72	19	8	20	86
100 4"	210	175	92	19	8	20	107
125 5"	250	210	112	23	8	20	130
150 6"	280	240	140	23	8	22	165
200 8"	330	290	172	23	12	22	195
250 10"	400	355	185	25	12	24	235
300 12"	445	400	230	25	16	30	295

註: 每法蘭接頭附1pc 膠墊圈。

Remark: Each flanged connector comes with an 1PC washer.

活套式T型接頭 RING-SEAL T TYPE

單位: mm



規格 SIZE	l	H	H1
80 3"	90	140	140
150 6"	152.5	238	238

註/Remark:

藍黑色製品係耐衝擊接頭。

Black-blue fittings means the high-impact fittings.

7

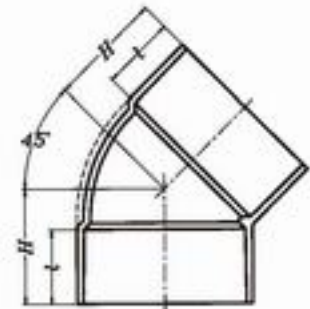
排水用接頭規格

Specification of PVC Fitting for Drainage

45° L 型排水接頭 45° ELBOW

單位：mm

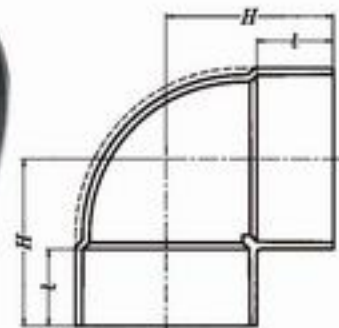
規格 SIZE	<i>l</i>	H
1"X2mm	26	34
1 1/4"X2mm	20	30
1 1/2"X2mm	22	34
2"X2mm	25	40
2 1/2"X2.5mm	35	53
2 1/2"X3mm	35	53
3"X3mm	40	63
3 1/2"X3mm	50	73.5
4"X3.5mm	50	78
5"X3.5mm	65	100
6"X4mm	80	120
8"X7.5mm	100	155
10"X8.5mm	130	191
12"X10mm	150	223



90° L 型排水接頭 90° ELBOW

單位：mm

規格 SIZE	<i>l</i>	H
1"X2mm	20	39
1 1/4"X2mm	30	52
1 1/2"X2mm	22	48
2"X2mm	22	48
2 1/2"X3mm	35	77
3"X3mm	40	88
3 1/2"X3mm	50	102
4"X3.5mm	50	112
5"X3.5mm	65	140
6"X4mm	80	168
8"X7.5mm	100	215
10"X8.5mm	130	269
12"X10mm	150	316



註/Remark：

製品亦可依點線製造。

Production can follow the instructions along dashed lines as well.

7

排水用接頭規格

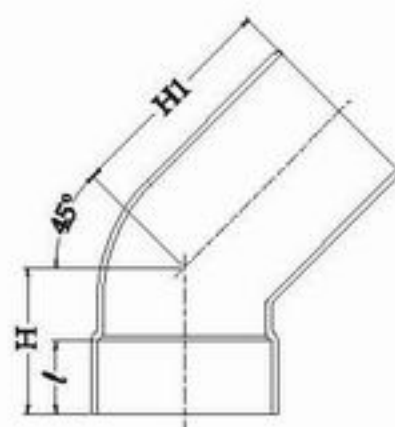
Specification of PVC Fitting for Drainage

45° L 型單放口(厚)接頭

45° ELBOW WITH SPIGOT END

單位：mm

規格 SIZE	l	H	H1
2"X4.0mm	63	85	85
* 3"X5.5mm	72	95	95
4"X7.0mm	92	121	121
* 5"X7.5mm	112	148	148



45° L 型單放口排水接頭

45° ELBOW WITH SPIGOT END

單位：mm

規格 SIZE	l	l1	l11
1 1/2"X2mm	22	37	37
2"X2mm	25	50	75.5
2 1/2"X2.5mm	35	53	53
3"X2.5mm	40	61	61
3 1/2"X2.5mm	50	73	73

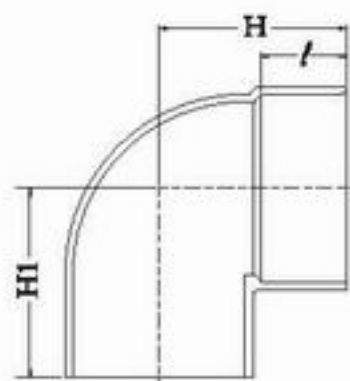


90° L 型單放口排水接頭

90° ELBOW WITH SPIGOT END

單位：mm

規格 SIZE	l	l1	l11
1 1/2"X2mm	22	47.5	49
2"X2mm	25	57	58.5
2 1/2"X2.5mm	35	75	76.5
3"X2.5mm	40	86.5	88
3 1/2"X2.5mm	50	102	103.5



註/Remark:

1. * 表示開模中。

2. 製品亦可依點線製造。

1. Mark * shows mold being developed.

2. Production can follow the instructions along dashed lines as well.

7

排水用接頭規格

Specification of PVC Fitting for Drainage

T 型排水接頭 TEE

單位：mm



規格 SIZE	l	H	l ₁	H ₁
1"X2mm	26	45	26	45
1 1/4"X2mm	30	52	30	52
1 1/2"X2mm	22	49	22	49
2"X3/4"X2mm	25	45	20	51
2"X1 1/2"X2mm	25	52	22	55
2"X2mm	25	59	25	59
2 1/2"X3/4"X2.5mm	35	58	20	59
2 1/2"X1 1/2"X3mm	35	63	22	55
2 1/2"X2"X2.5mm	35	68	25	65
2 1/2"X3mm	35	76.5	35	77
3"X1 1/2"X3mm	40	67	22	70
3"X2"X3mm	40	73	25	73
3"X3mm	40	88.5	40	88
3 1/2"X1 1/2"X3mm	50	78	22	74
3 1/2"X2"X3mm	50	84	25	77
3 1/2"X2 1/2"X3mm	50	91	35	88
3 1/2"X3mm	50	103	50	103
4"X1 1/2"X3.5mm	50	76	22	83
4"X2"X3.5mm	50	85.5	25	85
* 4"X2 1/2"X3.5mm	50	92	35	96
4"X3"X3.5mm	50	98	40	101
4"X3.5mm	50	112	50	112
* 5"X2 1/2"X3.5mm	65	107	35	110
5"X3"X3.5mm	65	113	40	115
5"X4"X3.5mm	65	127.5	50	125
5"X3.5mm	65	145	65	145
* 6"X2 1/2"X4mm	80	122	35	121
6"X3"X4mm	80	127	40	126
6"X4"X4mm	80	142	50	137
6"X4mm	80	167	50	167
8"X4"X7.5mm	100	165	50	165
8"X6"X7.5mm	100	185	80	195
8"X7.5mm	100	215.5	100	215.5

註/Remark :

- * 表示開模中
- 製品亦可依點線製造。
- Mark "*" shows mold being developed.
- Production can follow the instructions along dashed lines as well.



排氣T型接頭 VENT TEE

單位：mm

規格 SIZE	l	H	l ₁	H ₁
3 1/2"X1 1/2"X3mm	50	103	22	70
3 1/2"X2"X3mm	50	103	25	75
4"X2"X3.5mm	50	110	25	80

7 排水用接頭規格

Specification of PVC Fitting for Drainage

同徑普通排水接頭 COUPLING

單位：mm

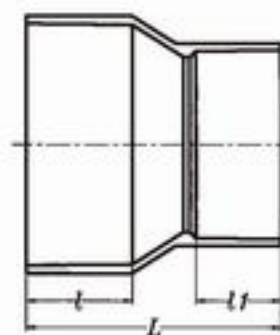
規格 SIZE	<i>l</i>	L
1 1/4"X3mm	20	43
1 1/2"X3mm	22	47
2"X3mm	25	53
2 1/2"X3mm	35	73
3"X3mm	40	84
3 1/2"X3mm	50	109
4"X3.5mm	50	104
5"X3.5mm	65	134
6"X4mm	80	164
8"X7.5mm	100	205
10"X8.5mm	130	270



異徑普通排水接頭 REDUCER COUPLING

單位：mm

規格 SIZE	<i>l</i>	<i>l</i> ₁	L
2"X1 1/4"X3mm	25	20	60
2"X1 1/2"X2mm	25	22	67
2 1/2"X1 1/2"X3mm	35	20	78
2 1/2"X2"X3mm	35	25	81
3"X2"X3mm	40	25	90
* 3"X2 1/2"X3mm	40	35	90
3 1/2"X1 1/2"X3mm	50	22	103
3 1/2"X2"X3mm	50	25	105
3 1/2"X2 1/2"X3mm	50	35	116
4"X2"X3.5mm	50	25	105
4"X2 1/2"X3.5mm	50	22	102
4"X3"X3.5mm	50	40	120
* 5"X2 1/2"X3.5mm	65	35	130
* 5"X3"X3.5mm	65	40	140
5"X4"X3.5mm	65	50	150
* 6"X2 1/2"X4mm	80	35	160
6"X4"X4mm	80	50	170
6"X5"X4mm	80	65	170
8"X6"X7.5mm	100	80	250
10"X8"X8.5mm	130	100	300



註 /Remark :

*表示開模中

Mark "*" shows mold being developed.

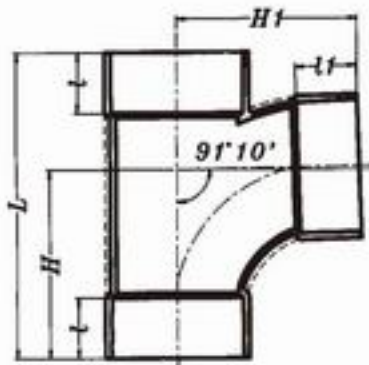
7

排水用接頭規格

Specification of PVC Fitting for Drainage

順 T 型排水接頭 SANITARY TEE

單位：mm



規格 SIZE	t	H	t ₁	H ₁	L
1 1/2"X2mm	22	68	22	68	110
2"X1 1/2"X2mm	25	70	22	75	114
2"X2mm	25	84	25	88	133
2 1/2"X1 1/2"X3mm	35	84	22	85	138
2 1/2"X2"X3mm	35	93	25	92	153
2 1/2"X3mm	35	109	35	105	177
3"X1 1/2"X3mm	40	90	22	100	147
3"X2"X3mm	40	98	25	105	162
3"X3mm	40	123	40	125	198
3 1/2"X1 1/2"X3mm	50	100	22	100	168
3 1/2"X2"X3mm	50	109	25	110	183
3 1/2"X2 1/2"X3mm	50	115	35	120	200
3 1/2"X3mm	50	130	50	140	226
4"X1 1/2"X3.5mm	50	90	22	110	160
4"X2"X3.5mm	50	100	25	118	175
* 4"X2 1/2"X3.5mm	50	125	35	125	210
4"X3"X3.5mm	50	133	40	140	220
4"X3.5mm	50	155	50	155	255
5"X2 1/2"X3.5mm	65	140	35	140	238
5"X3"X3.5mm	65	130	40	145	235
5"X4"X3.5mm	65	155	50	160	270
5"X3.5mm	65	200	65	200	325
6"X2"X4mm	80	132	25	155	237
6"X3"X4mm	80	151	40	170	272
6"X4"X4mm	80	170	50	180	300
6"X4mm	80	238	80	238	390
8"X6"X7.5mm	100	235	80	265	410
8"X7.5mm	100	300	100	300	490
10"X6"X8.5mm	130	271	80	285	474
10"X8"X8.5mm	130	312	100	323	537
10"X8.5mm	130	370	130	370	615

註/Remark :

- * 表示開模中
- 製品亦可依點線製造 *
1. Mark * shows mold being developed.
2. Production can follow the instructions along dashed lines as well.

7

排水用接頭規格

Specification of PVC Fitting for Drainage

45° Y 型排水接頭 45° WYE

單位：mm

規格 SIZE	ℓ	H	ℓ ₁	H ₁	L
1 1/4"X2mm	20	72	20	75	103
1 1/2"X2mm	22	80	22	84	114
2"X1 1/2"X2mm	25	91	22	91	124
2"X2mm	25	100	25	103	142
2 1/2"X1 1/2"X2.5mm	35	109	22	105	148
2 1/2"X2"X3mm	35	118	25	114	162
2 3/4"X3mm	35	127	35	133	185
3"X1 1/2"X3mm	40	120	22	115	160
3"X2"X3mm	40	130	25	123	170
3"X3mm	40	152	40	154	213
3 1/2"X1 1/2"X3mm	50	136	22	122	177
3 1/2"X2"X3mm	50	144	25	131	192
3 1/2"X2 1/2"X3mm	50	155	35	149	217
3 1/2"X3mm	50	171.5	50	177.5	247
4"X1 1/2"X3.5mm	50	90	22	126	177
4"X2"X3.5mm	50	152	25	142	195
4"X2 1/2"X3.5mm	50	162	35	160	217
4"X3"X3.5mm	50	173	40	171	238
4"X3.5mm	50	193	50	194	273
* 5"X2 1/2"X2mm	65	193	35	180	250
5"X4"X3.5mm	65	216	50	212	300
5"X3.5mm	65	235	65	240	335
6"X2 1/2"	80	220	35	197	280
6"X3"X4mm	80	227	40	206	300
6"X4"X4mm	80	245	50	230	340
6"X4mm	80	285	80	285	410
8"X4"X7.5mm	100	292	50	268	380
8"X6"X7.5mm	100	328	80	326	445
8"X7.5mm	100	365	100	375	520



註 /Remark :

- * 表示開模中
- 製品亦可依點線製造。
- Mark "*" shows mold being developed.
- Production can follow the instructions along dashed lines as well.

8

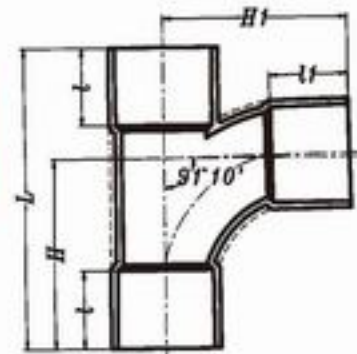
下水道及排水用接頭規格

Specification of PVC Fitting for Sewerage & Drainage

順 T 接頭 SANITARY TEE

單位：mm

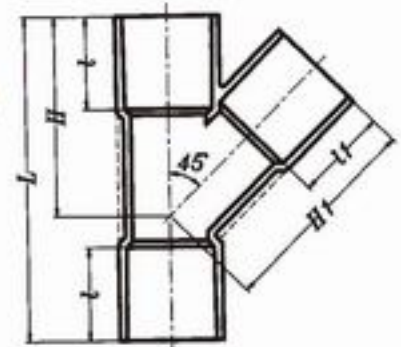
規格 SIZE	t	t_1	H	H1	L
40X40	1 1/2"	55	55	111	180
50X40	2"X1 1/2"	63	55	114	192
50X50	2"	63	63	114	200
65X50	2 1/2"X2"	69	63	128	218
65X65	2 1/2"	69	69	132	234
80X50	3"X2"	72	63	140	235
80X80	3"	72	72	177	280
100X50	4"X2"	92	63	154	270
100X80	4"X3"	92	72	194	318
100X100	4"	92	92	224	355
125X80	5"X3"	112	72	235	350
125X100	5"X4"	112	92	235	388
125X125	5"	112	112	252	416
150X50	6"X2"	140	63	215	420
150X80	6"X3"	130	72	230	420
150X100	6"X4"	130	92	246	425
150X125	6"X5"	140	112	273	468
150X150	6"	140	140	290	495
200X50	8"X2"	172	63	245	440
200X80	8"X3"	172	72	265	470
200X100	8"X4"	172	92	262	510
200X150	8"X6"	172	140	307	560
200X200	8"	172	172	347	615
250X150	10"X6"	185	140	332	588



45° Y 型接頭 45° WYE

單位：mm

規格 SIZE	t	t_1	H	H1	L
40X40	1 1/2"	55	55	116	185
50X40	2"X1 1/2"	63	55	132	202
50X50	2"	63	63	141	220
65X50	2 1/2"X2"	69	63	148	230
80X50	3"X2"	72	63	164	239
80X80	3"	72	72	180	280
100X50	4"X2"	92	63	195	285
100X80	4"X3"	92	72	213	319
100X100	4"	92	92	230	355
125X50	5"X2"	112	63	233	337
125X80	5"X3"	112	72	252	372
125X100	5"X4"	112	92	272	415
125X125	5"	112	112	282	434
150X50	6"X2"	140	63	270	385
150X80	6"X3"	130	72	282	412
150X100	6"X4"	130	92	294	435
150X125	6"X5"	140	112	322	500
150X150	6"	140	140	344	530
200X50	8"X2"	172	63	327	445
200X80	8"X3"	172	72	345	485
200X100	8"X4"	172	92	362	520
200X150	8"X6"	172	140	400	600
200X200	8"	172	172	446	690
250X150	10"X6"	185	140	450	625



註/Remark：

1. 下水道用為橘紅色。
2. 製品亦可依點線製造。
1. sewerage use are reddish-orange color.
2. Production can follow the instructions along dashed lines as well.

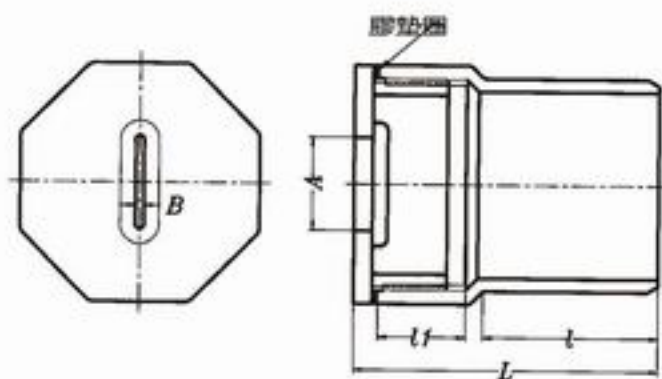
8

下水道及排水用接頭規格

Specification of PVC Fitting for Sewerage & Drainage

清除孔接頭 CLEANOUT BUSHING

單位：mm

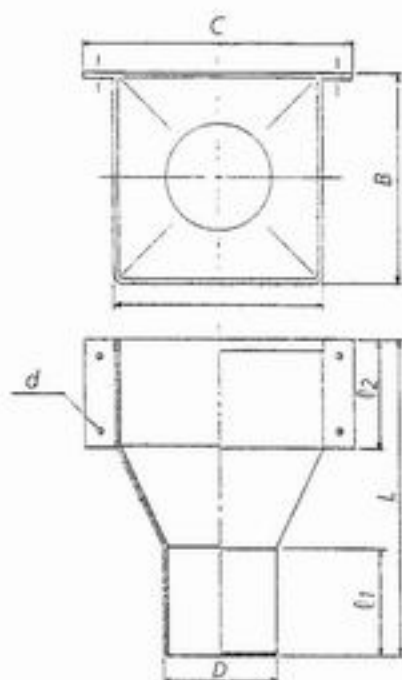


規格 SIZE	A	B	l	l ₁	L
50 2"	30	4.5	59	25	98
80 3"	50	4.5	75	38	131
100 4"	50	4.5	93	47	164
125 5"	80	10	120	50	194
150 6"	125	10	128	50	204
200 8"	160	10	175	50	255

註/Remark :

清除孔接頭本體與蓋之間所套入橡膠墊圈，於每次使用後應鎖緊，以防漏水。

In order to against the leakage of rubber ring between cleanout bushing body and cap, please screw the cleanout cap on the cleanout bushing body tightly.



漏斗 HOPPER

單位：mm

規格	A	B	C	D	d	l ₁	l ₂	L
200 8"	395	395	512	φ 214.5	φ 125	210	200	580

8

下水道及排水用接頭規格

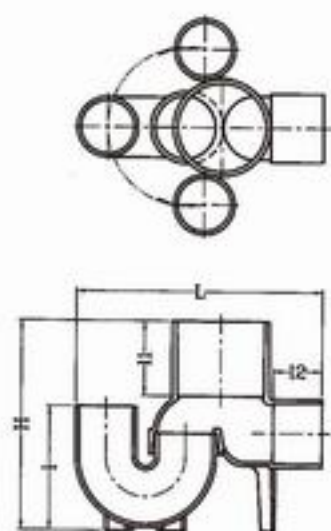
Specification of PVC Fitting for Sewerage & Drainage

污水防臭接頭 JUNCTION WITH ODOR TRAP

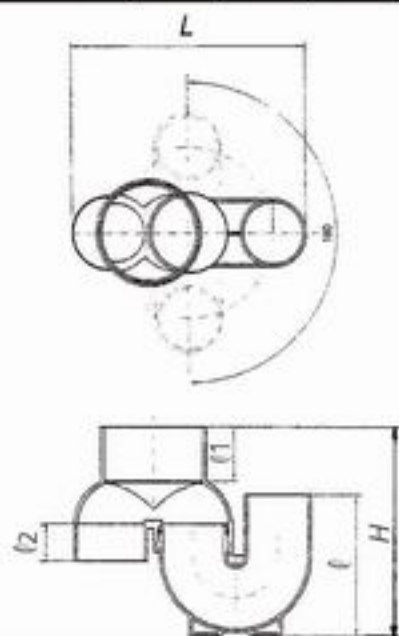
(一)本體

單位: mm

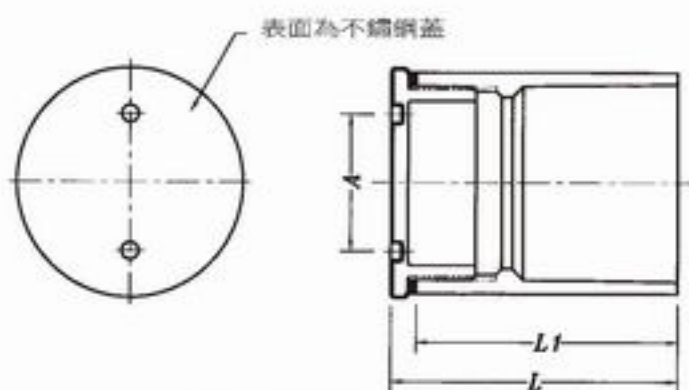
規格 SIZE	H	L	l	l ₁	l ₂
(舊型) 100x150 4"x6"	398	457	234.5	140	92
(新型) 100x150 4"x6"	305	402	234.5	50	50



舊型



新型



(二)嵌合不鏽鋼清除孔接頭

CLEANOUT BUSHING OF INSERT STAIN-LESS

單位: mm

規格 SIZE	A	L ₁	L
100 4"	80	55	170
150 6"	120	190	207

9

(1) 硬質膠合劑

(1) UNIQUE Vinyl Adhesive

硬質膠合劑是硬管、接頭等硬質 PVC 管專用的粘著劑，因具有優異的粘著強度，可適用於各種氣溫下之 PVC 管線施工，其產品品質、物件，皆可符合 CNS 6224 標準。管線完成膠合施工後，膠合強固期間不能移動，常溫下 24 小時內即可通水，但氣溫在 5°C 以下之低溫施工時，膠合施工後，需經 48 小時後再通水。

■ 禁止食用

■ 包裝類別

180KG、16KG、1KG、500G、100G

■ 硬質膠合劑為適用於硬質 PVC 管、接頭專用的粘著劑，不可與其他材質混用。

UNIQUE Vinyl Adhesive was reserved for the uses of rigid PVC products, as PVC pipe, PVC fitting etc. It suits the installation of PVC pipe lines during different temperatures, by the way the product's qualities and physical properties are all apply to standard CNS 6224.

When the PVC pipe lines were installed by UNIQUE Vinyl Adhesive, the PVC pipe lines will start to transfer water after wait for 24 hours. But if the temperature is under 5°C, the PVC pipe lines need to keep 48 hours waiting after installed, then start to transfer water.

■ No Eating

■ Packing Category :

180KG, 16KG, 1KG, 500G, 100G



9

(2) 高耐衝擊 PVC 膠合劑

(2) UNIQUE High Impact Vinyl Adhesive

高耐衝擊PVC膠合劑為HI耐衝擊PVC管、接頭的專用接著膠合劑，其接著強度超高，約為硬質膠合劑的4倍，使用時接合物不需加熱以冷間就可接合施工，另在任何氣溫下仍可施工使用。HI耐衝擊PVC管、接頭的接合施工，皆應採用本項高耐衝擊PVC膠合劑。

■ 禁止食用、遠離孩童

■ 包裝類別

1KG

UNIQUE High Impact Vinyl Adhesive was reserved for the uses of high impact products, as high impact PVC pipe, high impact PVC fitting etc. It suits the installation of high impact PVC pipe lines during different temperatures, by the way the product's qualities and physical properties are excellence.

■ No Eating

■ Packing Category :

1KG



GB (ISO) PVC-U PIPES & FITTINGS

GB (ISO) PVC-U PIPES & FITTINGS

目 录 CONTENTS

1. PVC 管材·管件之物理及化学性质	1-7	(十七)地漏	20
(一)PVC 管材·管件之物理性质	1-3	(十八)大便连接件	20
(1)给水用PVC 管	1	(十九)雨水斗	21
(2)排水用PVC 管	1	(二十)管夹	21
(3)输水灌溉用管	2	(二十一)筏用管堵	21
(4)排、给水用PVC 管件	3	(二十二)瓶形三通	21
(二)PVC 管材·管件之化学性质	4-7	4. 给水用PVC 管件规格	22-33
2 PVC 管材规格	8-12	(一)给水管件承口细部尺寸明细表	22
(一)排水用管(国际标准)	8	(二)45°弯头	22
(二)排水用管(国家标准)	8	(三)90°弯头	23
(三)给水用管(国家标准)	9	(四)法兰接头	23
(四)弹性密封圈式连接(活套)给水用管	10	(五)90°三通	24
(五)T·S 平承口放口管(单放)	11	(六)套管	25
(六)电工套管(国家标准)	12	(七)管堵	25
(七)输水灌溉用管	12	(八)分水鞍	25
3. 排水用PVC 管件规格	13-21	(九)长型异径管	26
(一)排水管件承口细部尺寸明细表	13	(十)承口粘接和外螺纹变接头(止阀接头)	27
(二)45°弯头	13	(十一)承口粘接和内螺纹变接头(塑牙直接头)	28
45°弯头带检查口	14	(十二)PVC 接头端和活动金属螺帽(短由令)	28
(三)90°弯头	14	(十三)活接接头	29
90°弯头带检查口	14	(十四)铜牙直接头	29
(四)90°三通	15	(十五)铜牙90°弯头	30
90°三通带检查口	15	(十六)铜牙90°三通	30
(五)45°三通	15	(十七)活套承插接头	31
(六)正四通(平面四通)	16	(十八)丝扣承插接头	31
(七)斜四通	16	(十九)单柔90°三通	32
(八)直角四通(立体四通)	16	(二十)双柔90°三通	32
(九)管箍	17	(二一)单柔90°三头	33
(十)P 型存水弯	17	(二二)管夹	33
S 型存水弯	18	5. PVC 电工套管配件规格	34-36
(十一)长型异径管	18	(一)直接头	34
短型异径管(普生)	18	(二)出线接头	34
(十二)清扫口	19	(三)圆形接线盒	35
(十三)伸缩节	19	(四)盖式弯接头	35
(十四)立管检查口	19	(五)盖式三通接头	36
(十五)通气帽	20	(六)电工套管管夹	36
(十六)H 管	20	(七)电信管管箍	36

1 PVC 管材·管件之物理及化学性质 Chemical and Physical Properties of PVC Pipe and Fitting

(一)物理性质 Physical Properties:

1. 给水用PVC管 PVC Pipe for water works

试验项目 Test Items	标准值 Standard Value	试验标准 Test Standard
密度 Specific Gravity kg/m ³	1350 - 1460	GB/T 10002.1-2006
维卡软化温度 Vicat Softening Temperature	> 80℃	
纵向收缩率 Vertical Heat Shrinkage	< 5%	
落锤冲击试验 TIR Izod Impact Test	0℃ TIR < 5%	
水压试验 Water Pressure Test	无破裂·无渗漏 Non-Broken	
卫生性能 Sanitation Performance	符合 GB/T 17219-1998 Qualified by GB/T 17219-1998	
VCM 含量 VCM Content	< 1 mg/kg	
二氧甲烷浸渍试验 CH ₂ Cl ₂ Immersion Test	合格 Qualified	

2. 排水用PVC管 PVC Pipe for drainage

试验项目 Test Items	标准值 Standard Value	试验标准 Test Standard
拉伸屈服强度试验 Tensile Strength Test	> 40 MPa	GB/T 5836.1-2006
密度 Specific Gravity kg/m ³	1350 - 1550	
维卡软化温度 Vicat Softening Temperature	> 79	
落锤冲击试验 TIR Izod Impact Test	TIR < 10%	
纵向加热收缩试验 Vertical Heat Shrinkage	< 5%	

注：排水用PVC管用于排污和排废水系统，也可用于通风管道和内落雨管道，也适用于在考虑到耐化学性时的工业废水排放用管道。
Note: PVC pipe for drainage can be also used for drain waste and vent systems and water distribution systems.

They are also used for chemicals and oily sewer.

3. 输水灌溉用管 PVC Pipe for Irrigation

试验项目 Test Items	标准值 Standard Value	试验标准 Test Standard
密度 Specific Gravity kg/m^3	1400 - 1600	GB/T 13664
纵向收缩率 Vertical Heat Shrinkage	< 5%	
拉伸屈服应力 Tensile Strength Test	> 40 MPa	
水压试验 Water Pressure Test	无破裂、无渗漏 Non-Broken	
落锤冲击试验 TIR (0℃时) Izod Impact Test	不破裂 Non-Broken	
刚度 (5% 变形时)	> 0.04 MPa	
扁平试验 (压至 50%)	无破裂 Non-Broken	

4. 排、给水用PVC 管件 PVC Pipe for Irrigation

试验项目 Test Items	品质标准 Quality Standard	检验注记 Test Marks				检验重点 Test Principles
		排水管件 Drainage		给水管件 Water Supply		
耐内压试验 Water Pressure Test	de < 90 4.2 × PN de > 90 3.36 × PN				●	试验温度 20 ± 2℃ · 保持一小时 · Test temperature 20 ± 2℃ to maintain 1hr.
坠落试验 Drop Test	d < 75mm: 2.00 ± 0.05m d > 75mm: 1.00 ± 0.05m 自由落下不破裂 Non-Broken	△	●	△	●	将预处理好之样品于标准高度自由落下不破裂 · 依 ISO-3633 · Drop the pretreatment product from standard high then no damage, by ISO-3633.
维卡软化温度 Vicat Softening Temperature	1. 排水管件 > 74 2. 给水管件 > 74 1. For Drainage > 74 2. For Water Supply > 74		●		●	1. 荷重 49.05 牛顿 · 2. 升温速度 : 50 ± 5℃/hr · 依 ISO-3633,2507 · 1. Under a force of 49.05 Newton. 2. The temperature increasing rate: 50 ± 5℃/hr by ISO-3633,2507.
热烘箱试验 Oven Test	成品表面裂开不得超过厚度一半 The depth of cracks shall not be more than 50% of the wall thickness.	△	●	△	●	在 150℃ 通风循环炉内, 时间依厚度管制 · 依 ISO-3633,580 · Complete mouldings are subjected to a temperature of 150℃ in an air-circulating oven for a given time depending on the wall thickness of the fitting, by ISO-3633,580.
VCM 含量 VCM Content	< 1.0 mg/kg below 1.0 mg/kg				●	以气相层析仪分析 · 依 NSF-61 · Test by G.C. by NSF-61.
卫生性能 Extraction Test	符合 GB/T 17219-1998				●	以原子吸收光谱仪分析 · 依 GB/T 17219-1998 · Test by A.A. by GB/T 17219-1998.
臭味	无不良气味				●	1. 按国家卫生标准规定 ·
遮光性试验	不透光				●	1. 按 GB/T 10002.1 标准要求 ·

注: 1. "△" 出厂检验项目注记 ·
2. "●" 型式检验项目注记 ·
3. 无注记者表示该类制品免做该项试验 ·

Note: 1. Mark "△" means the test items to leave the factory for each batch of fittings.
2. Mark "●" means the periodically test items for the functions of fitting.
3. The items which hasn't be marked means don't need to do the tests.

(二) 化学性质 Chemical Properties:

下列为化学抗性术语中所用之代表字。

- ⊙: 有良好的抗性, 不起作用可使用。
 ○: 略加注意可使用。
 ×: 不能使用。

The followings are the marks for the Technical terms of Chemical Resistance.

- ⊙: Fine Resistance, no action, usable.
 ○: Usable with care.
 ×: Unusable.

化学品	CHEMICAL	23℃	60℃	化学品	CHEMICAL	23℃	60℃
乙醛	Acetaldehyde	×	×	钡盐	Barium salts	⊙	⊙
乙醛40%水溶液	Acetaldehyde, aq 40%	○	×	啤酒	Beer	⊙	⊙
乙酰胺	Acetamide	-	-	甜菜糖溶液	Beet sugar liquor	⊙	⊙
醋酸蒸气	Acetic acid, vapor	⊙	⊙	苯甲醛10%溶液	Benzaldehyde, 10%	⊙	×
冰醋酸	Acetic acid, glacial	⊙	×	苯甲醛10%以上	Benzaldehyde, above 10%	×	×
20%醋酸	Acetic acid, 20%	⊙	⊙	苯	Benzene(benzol)	×	×
80%醋酸	Acetic acid, 80%	⊙	○	苯磺酸10%	Benzene sulfonic acid, 10%	⊙	⊙
醋酸酐	Acetic anhydride	×	×	苯磺酸	Benzene sulfonic acid	×	×
丙酮	Acetone	×	×	苯甲酸(安息香酸)	Benzoic acid	⊙	⊙
乙炔(电石气)	Acetylene	○	○	黑液 纸厂	Black liquor-paper	⊙	⊙
己二酸	Adipic acid	⊙	⊙	漂液12.5%有效氯	Bleach, 12.5% active chlorine	⊙	⊙
丙烯醇	Alcohol, allyl	⊙	○	漂液5.5%有效氯	Bleach, 5.5% active chloride	⊙	⊙
丁基苯甲醇	Alcohol, butyl benzyl	×	×	硼砂	Borax	⊙	⊙
丁醇(正丁醇)	Alcohol, butyl(n-butanol)	⊙	⊙	硼酸	Boric acid	⊙	⊙
丁醇(2-丁醇)	Alcohol, butyl(2-butanol)	⊙	×	三氟化硼	Boron trifluoride	⊙	⊙
乙醇	Alcohol, ethyl	⊙	⊙	溴酸	Bromic acid	⊙	⊙
六烷醇	Alcohol, hexyl	⊙	⊙	液溴	Bromine, liquid	×	×
异丙醇(2-丙醇)	Alcohol, isopropyl(2-propanol)	⊙	⊙	25%溴气	Bromine, gas, 25%	⊙	⊙
甲醇	Alcohol, methyl	⊙	⊙	溴水	Bromine, aq	⊙	⊙
丙醇	Alcohol, propyl(1-propanol)	⊙	⊙	丁二烯	Butadiene	⊙	⊙
氯丙烯	Allyl chloride	×	×	丁烷	Butane	⊙	⊙
明矾	Alums	⊙	⊙	丁四醇	Butantetrol(erythritol)	⊙	×
氨	Ammonia, gas	⊙	⊙	丁二醇	Butanediol	⊙	⊙
氨(液)	Ammonia, liquid	×	×	醋酸丁酯	Butyl acetate	×	×
氨水	Ammonia, aq	⊙	⊙	丁基酚	Butyl phenol	⊙	×
铵盐(除氟化物)	Ammonium salts, except fluoride	⊙	⊙	丁烯	Butylene	⊙	⊙
氟化铵25%	Ammonium fluoride, 25%	⊙	○	丁酸	Butyric acid	⊙	×
醋酸戊酯	Amyl acetate	×	×	钙盐水溶液	Calcium salts, aq	⊙	⊙
苯胺	Aniline	×	×	次氯酸钙	Calcium hypochlorite	⊙	⊙
氯化苯胺	Aniline chlorohydrate	×	×	氢氧化钙	Calcium hydroxide	⊙	⊙
苯胺盐酸盐	Aniline hydrochloride	×	×	蔗糖液	Cane sugar liquors	⊙	⊙
苯胺染料(素)料	Aniline dyes	×	×	二硫化碳	Carbon bisulfide	×	×
蒽醌	Antraquinone	⊙	⊙	二氧化碳	Carbon dioxide	⊙	⊙
蒽醌磺酸	Antraquinone sulfonic acid	⊙	⊙	碳酸	Carbon dioxide, aq	⊙	⊙
三氯化砷	Antimony trichloride	⊙	⊙	一氧化碳	Carbon monoxide	⊙	⊙
王水	Aqua regia	○	×	四氯化碳	Carbon tetrachloride	⊙	×
砷酸80%	Arsenic acid, 80%	⊙	⊙	酪蛋白	Casein	⊙	⊙
芳基化磺酸	Aryl-sulfonic acid	⊙	⊙	蓖麻油	Castor oil	⊙	⊙
苛性钾(氢氧化钾)	Caustic potash(potassium hydroxide)	⊙	⊙	邻、苯二甲酸二丁酯	Dibutyl phthalate	×	×

化学品	CHEMICAL	23℃	60℃	化学品	CHEMICAL	23℃	60℃
苛性钠(氢氧化钠)	Caustic soda(sodium hydroxide)	⊙	⊙	癸二酸二丁酯	Dibutyl sebacate	○	×
赛璐苏	Cellosolve	⊙	○	二氯化苯	Dichlorobenzene	×	×
醋酸纤维素赛璐苏溶液	Cellosolve acetate	⊙	-	二氯乙烯	Dichloroethylene	×	×
三氯乙醛水化物	Chloral hydrate	⊙	⊙	醚类	Ethers	×	×
氯胺	Chloramine	⊙	-	乙酯类	Ethyl esters	×	×
20%氯酸	Chloric acid,20%	⊙	⊙	卤化乙烷类	Ethyl halides	×	×
氯气(乾)	Chlorine,gas,dry	○	×	卤化乙烯类	Ethylene halides	×	×
氯气(湿)	Chlorine,gas,wet	×	×	乙二醇	Ethylene glycol	⊙	⊙
液氯	Chlorine,liquid	×	×	环氧乙烷	Ethylene oxide	×	×
氯水	Chlorine water	⊙	⊙	脂肪酸	Fatty acids	⊙	⊙
氯化醋酸	Chloroacetic acid	⊙	⊙	铁盐	Ferric salts	⊙	⊙
氯苯	Chlorobenzene	×	×	氟气(乾)	Fluorine, dry gas	○	×
氯化氯甲苯	Chlorobenzyl chloride	×	×	氟气(湿)	Fluorine,wet gas	○	×
氯仿(三氯甲烷)	Chloroform	×	×	氟硼酸25%	Fluoboric acid,25%	⊙	⊙
氯磺酸	Chlorosulfonic acid	⊙	×	氟矽酸	Fluosilicic acid	⊙	⊙
铬酸10%	Chromic acid,10%	⊙	⊙	甲醛	Formaldehyde	⊙	⊙
铬酸30%	Chromic acid,30%	⊙	○	蚁酸	Formic acid	⊙	×
铬酸40%	Chromic acid,40%	⊙	○	冷媒-F11,F12,F113,F114	Freon-F11,F12,F113,F114	⊙	⊙
铬酸50%	Chromic acid,50%	×	×	冷媒-F21,F22	Freon-F21,F22	×	×
柠檬酸	Citric acid	⊙	⊙	小果汁及果肉	Fruit juices and pulps	⊙	⊙
椰子油	Coconut oil	⊙	⊙	燃料油	Fuel oil	○	×
炼碳炉气	Coke oven gas	⊙	⊙	呋喃醛	Furfural	×	×
铜盐水溶液	Copper salts,aq	⊙	⊙	煤气	Gas,coal,manufactured	×	×
玉米油	Corn oil	⊙	⊙	天然瓦斯,甲烷	Gas,natural,methane	⊙	⊙
玉米糖浆	Corn syrup	⊙	⊙	汽油	Gasolines	○	○
棉花子油	Cottonseed oil	⊙	⊙	明胶(动物胶)	Gelatin	⊙	⊙
甲酚	Cresol	×	×	甘油(丙三醇)	Glycerine(glycerol)	⊙	⊙
甲基苯甲酸	Cresylic acid,50%	⊙	⊙	二醇类	Glycols	⊙	⊙
丁烯醛	Croton aldehyde	×	×	动物胶	Glue,animal	⊙	⊙
天然油(原油)	Crude oil	⊙	⊙	羟化醋酸HOCH ₂ COOH	Glycolic acid	⊙	⊙
环己烷	Cyclohexane	×	×	绿液二纸厂	Green liquor,paper	⊙	⊙
环己醇	Cyclohexanol	×	×	镓酸	Galic acid	⊙	⊙
环己酮	Cyclohexanone	×	×	庚烷	Heptane	⊙	⊙
重氮盐	Diazo salts	⊙	⊙	己烷	Hexane	⊙	○
柴油	Diesel fuels	⊙	⊙	20%氢溴酸	Hydrobromic acid,20%	⊙	⊙
二乙胺	Diethyl amine	×	×	盐酸	Hydrochloric acid	⊙	⊙
二甲酸、二辛酯	Diocetyl phthalate	×	×	10%氢氟酸	Hydrofluoric acid,10%	⊙	○
磷酸二钠	Disodium phosphate	⊙	⊙	60%氢氟酸	Hydrofluoric acid,60%	⊙	○
乙二醇酸盐	Diglycolic acid	⊙	⊙	100%氢氟酸	Hydrofluoric acid,100%	⊙	○
1,4-二氧己烷	Dioxane-1,4	×	×	氢氰酸	Hydrocyanic acid	⊙	⊙
二甲胺	Dimethylamine	⊙	⊙	氢	Hydrogen	⊙	⊙
二甲基甲酰胺	Dimethyl formamide	×	×	50%过氧化氢	Hydrogen peroxide,50%	⊙	⊙
清洁剂水溶液	Detergents, aq	⊙	⊙	90%过氧化氢	Hydrogen peroxide,90%	⊙	⊙
硫化氢,乾	Hydrogen sulfide,dry	⊙	⊙	硫化氢水溶液	Hydrogen sulfide,aq	⊙	⊙
对苯二酚	Hydroquinone	⊙	⊙	甲基磺酸	Methyl sulfonic acid	⊙	⊙
				二溴甲烷	Methylene bromide	×	×

化学品	CHEMICAL	23℃	60℃	化学品	CHEMICAL	23℃	60℃
羟胺酸盐	Hydroxylamine sulfate	⊙	⊙	二氯甲烷	Methylene chloride	×	×
联胺	Hydrazine	×	×	二碘甲烷	Methylene iodine	×	×
二次氯酸	Hypochlorous acid	⊙	⊙	牛奶	Milk	⊙	⊙
3%碘-碘化钾水溶液	Iodine, in KI, 3%,aq	○	×	矿物油	Mineral oil	⊙	⊙
碘酒精溶液	Iodine,alc	×	×	混合酸(硫酸及硝酸)	Mixed acids(sulfuric & nitric)	○	×
10%碘水溶液	Iodine,aq,10%	×	×	混合酸(硫酸及磷酸)	Mixed acids (sulfuric & phosphoric)	⊙	⊙
喷射燃料JP-4和JP-5	Jet fuels,JP-4 and JP-5	⊙	⊙	糖蜜	Molasses	⊙	⊙
煤油	Kerosene	⊙	⊙	一氯化苯	Monochlorobenzene	×	×
酮类	Ketones	×	×	乙醇胺	Monoethanolamine	×	×
牛皮纸溶液	Kraft paper liquor	⊙	⊙	机车油	Motor oil	⊙	⊙
漆溶剂类	Lacquer thinners	○	×	石油精	Naphtha	⊙	⊙
乳酸25%	Lactic acid,25%	⊙	⊙	萘	Naphthalene	×	×
猪油	Lard oil	⊙	⊙	镍盐	Nickel salts	⊙	⊙
十二酸	Lauric acid	⊙	⊙	尼古丁	Nicotine	⊙	⊙
氯化十二烷	Lauryl chloride	⊙	⊙	尼古丁酸	Nicotinic acid	⊙	⊙
硫酸化十二烷	Lauryl sulfate	⊙	⊙	硝酸0至50%	Nitric acid,0 to 50%	⊙	○
镉盐	Lead salts	⊙	⊙	硝酸60%	Nitric acid,60%	⊙	○
石灰硫磺	Lime sulfur	⊙	⊙	硝酸70%	Nitric acid,70%	⊙	○
亚麻仁油酸	Linoleic acid	⊙	⊙	硝酸80%	Nitric acid,80%	○	○
亚麻仁油	Linseed oil	⊙	⊙	硝酸90%	Nitric acid,90%	○	×
甜酒	Liqueurs	⊙	⊙	硝酸100%	Nitric acid,100%	×	×
酒	Liquors	⊙	⊙	发烟硝酸	Nitric acid,fuming	×	×
锂盐	Lithium salts	⊙	⊙	硝化苯	Nitrobenzene	×	×
润滑油	Lubricating oils	⊙	⊙	硝化甘油	Nitroglycerine	×	×
机油	Machine oil	⊙	⊙	亚硝酸	Nitrous acid	⊙	○
镁盐	Magnesium salts	⊙	⊙	一氧化二氮、气	Nitrous oxide, gas	⊙	○
马来酸	Maleic acid	⊙	⊙	硝化二醇	Nitroglycol	×	×
苹果酸	Malic acid	⊙	⊙	硝化丙烷	Nitropropane	○	○
硫酸锰	Manganese sulfate	⊙	⊙	蔬菜油	Oils,vegetable	⊙	⊙
汞盐	Mercuric salts	⊙	⊙	油及脂肪	Oils and fats	⊙	⊙
水银(汞)	Mercury	⊙	⊙	油酸	Oleic acid	⊙	⊙
异丙二烯丙酯	Mesityl oxide	×	×	发烟硫酸	Oleum	×	×
金属皂水溶液	Metallic soaps,aq	⊙	⊙	橄榄油	Olive oil	○	-
甲烷	Methane	⊙	⊙	草酸	Oxalic acid	⊙	⊙
醋酸甲酯	Methyl acetate	×	×	氧气	Oxygen,gas	⊙	⊙
溴化甲烷	Methyl bromide	×	×	臭氧气	Ozone,gas	⊙	○
甲基熔料剂	Methyl cellosolve	×	×	棕榈酸10%	Palmitic acid,10%	⊙	⊙
氯化甲烷	Methyl chloride	×	×	棕榈酸70%	Palmitic acid,70%	⊙	×
甲基甲仿	Methyl chloroform	×	×	石蜡	Paraffin	⊙	⊙
甲基环己酮	Methyl cyclohexanone	×	×	戊烷	Pentane	○	○
甲基丙烯酸甲酯	Methyl methacrylate	⊙	-	40%过氧酸	Peracetic acid,40%	⊙	×
水杨酸甲酯	Methyl salicylate	⊙	⊙	10%过氧酸	Perchloric acid,10%	⊙	○
硫酸甲酯	Methyl sulfate	⊙	○	70%过氧酸	Perchloric acid,70%	⊙	×
四氯乙烯	Perchloroethylene	○	○	亚硫酸盐溶液	Sulfite liquor	⊙	⊙
石油、粗品	Petroleum,sour	⊙	⊙	硫磺	Sulfur	⊙	⊙
石油、精制品	Petroleum,refined	⊙	⊙	糖溶液	Sugars,aq	⊙	⊙

化学品	CHEMICAL	30℃	60℃	化学品	CHEMICAL	30℃	60℃
酚	Phenol	○	×	二氧化硫,干	Sulfur dioxide,dry	○	○
苯腈	Phenylcarbinol	×	×	二氧化硫,湿	Sulfur dioxide,wet	○	○
苯肼	Phenylhydrazine	×	×	三氧化硫,干气	Sulfur trioxide,gas,dry	○	○
苯肼HCl	Phenylhydrazine HCl	○	×	三氧化硫,湿	Sulfur trioxide,wet	○	○
光气液态气态	Phosgene,liquid,gas	○	○	硫酸至70%	Sulfuric acid,up to 70%	○	○
液化光气	Phosgene,liquid	×	×	硫酸70%~90%	Sulfuric acid,70 to 90%	○	○
磷酸	Phosphorus,acid	○	○	硫酸90%~100%	Sulfuric acid,90 to 100%	○	×
黄磷	Phosphorus,yellow	○	○	亚硫酸	Sulfurous acid	○	×
红磷	Phosphorus,red	○	○	妥尔油	Tall oil	○	○
五氧化二磷	Phosphorus,pentoxide	○	○	丹宁酸	Tannic acid	○	○
三氯化磷	Phosphorus,trichloride	×	×	丹宁酒	Tanning liquors	○	○
照片化学药品水溶液	Photographic chemicals,aq	○	○	酒石酸	Tartaric acid	○	○
邻-苯二甲酸	Phthalic acid	○	○	四氯化乙烷	Tetrachloroethane	○	○
苦味酸	Picric acid	×	×	四乙铅	Tetraethyl lead	○	○
金属溶剂	Plating solutions,metal	○	○	四氢呋喃	Tetrahydrofuran	×	×
钾盐水溶液	Potassium salts,aq	○	○	二氯化硫 [SOCl ₂]	Thionyl chloride	×	×
过锰酸钾25%	Potassium permanganate,25%	○	○	线切油	Thread cutting oils	○	-
烷化磺酸钾	Potassium alkyl xanthates	○	×	一烯萜醇(香油脑)	Terpineol	○	○
丙烷	Propane	○	○	四氯化钛	Titanium tetrachloride	○	×
二氯丙烷	Propylene dichloride	×	×	甲苯	Toluene	×	×
丙二醇	Propylene glycol	○	○	磷酸三丁酯	Tributyl phosphate	×	×
环氧丙烷	Propylene oxide	×	×	柠檬酸三丁酯	Tributyl citrate	○	-
吡啶	Pyridine	×	×	磷酸三甲酚	Tricresyl phosphate	×	×
焦性没食子酸	Pyrogallic acid	○	○	三氯化醋酸	Trichloroacetic acid	○	○
媒染凝结浴液	Rayon coagulation bath	○	○	三氯乙烯	Trichloroethylene	×	×
海水	Sea water	○	○	三乙醇胺	Triethanolamine	○	○
水杨酸	Salicylic acid	○	○	三乙基胺	Triethylamine	○	○
水杨醛	Salicylaldehyde	○	○	三甲丙烷	Trimethyl propane	○	○
硒酸	Selenic acid	○	○	松节油	Turpentine	○	○
下水道之污物住宅区	Sewage,residential	○	○	尿素	Urea	○	○
硅酸	Silicic acid	○	○	尿	Urine	○	○
硅油	Silicone oil	○	×	凡士林	Vaseline	×	×
银盐	Silver salts	○	○	蔬菜油	Vegetable oils	○	○
肥皂	Soaps	○	○	醋	Vinegar	○	○
钠盐、溶液	Sodium salts,aq,except	○	○	醋酸乙烯	Vinyl acetate	×	×
氯化钠(食盐)	sodium chlorite	○	○	蒸馏水	Water,distilled	○	○
氯酸钠	Sodium chlorate	○	○	活水	Water,fresh	○	○
重铬酸钠,酸性	Sodium dichromate,acid	○	○	地下水	Water,mine	○	○
过硼酸钠	Sodium perborate	○	○	盐水	Water,salt	○	○
氯化锡	Stannic chloride	○	○	龙头水	Water,tap	○	○
二氯化锡	Stannous chloride	○	○	威士忌	Whiskey	○	○
淀粉	Starch	○	○	酒	Wines	○	○
硬脂酸	Stearic acid	○	○	二甲苯	Xylene	×	×
斯多德尔溶剂	Stoddard solvent	×	×	锌盐	Zinc salts	○	○
油漆用溶剂香蕉水(天那水)		×	×				

* 化学抗性资料仅提供参考用

2 PVC管材规格 Specification of PVC pipe

(一) 排水管(国际标准): PVC Pipe for Drainage(Q/NYX 01=ISO 3633)

单位 Unit:mm

公称外径 Nominal Pipe Size	平均外径允许差 Tolerance of Average Outside Diameter	厚度 Wall thickness		参考重量 (kg/m) Approx. Weight (kg/m)	有效长度 (m) Length (m)
		最小 Minimum	允许差 Tolerance		
40	+0.3 0	3.2	+0.5	0.607	4
50	+0.3 0	3.2	+0.5	0.772	
75	+0.3 0	3.2	+0.5	1.186	
90	+0.3 0	3.2	+0.5	1.434	
110	+0.4 0	3.2	+0.5	1.805	
160	+0.5 0	4.0	+0.6	3.286	6
200	+0.6 0	4.9	+0.7	5.019	
250	+0.8 0	6.2	+0.8	7.886	
315	+1.0 0	7.7	+1.0	12.496	
400	+1.2 0	9.8	+1.2	19.888	

(二) 排水管(国家标准): PVC Pipe for Drainage based on GB(GB/T 5836.1)

单位 Unit:mm

公称外径 Nominal Pipe Size	平均外径允许差 Tolerance of Average Outside Diameter	厚度 Wall thickness		参考重量 (kg/m) Approx. Weight (kg/m)	实际长度 (m) Length (m)
		最小 Minimum	允许差 Tolerance		
32	+0.3 0	2.0	+0.4	0.323	4
40	+0.3 0	2.0	+0.4	0.409	
50	+0.3 0	2.0	+0.4	0.517	
75	+0.3 0	2.3	+0.4	0.890	
90	+0.3 0	3.0	+0.5	1.384	
110	+0.4 0	3.2	+0.5	1.805	6
160	+0.5 0	4.0	+0.6	3.286	
200	+0.6 0	4.9	+0.7	5.019	
250	+0.8 0	6.2	+0.8	7.886	
315	+1.0 0	7.7	+1.0	12.496	

注: 1. 管材长度也可依订货要求确定, 计划产品颜色为灰色, 其他颜色也可依订货要求确定。

2. "*" 表示该规格产品, 开发中。

Note: 1. The Lengths & Colors of PVC Pipe can be made to meet client's request. (General color be gray.)

2. Mark "*" Shows the product being developed.

(三) 给水用管(国家标准): PVC Pipe for Water Works Based on GB/T10002.1-2006

单位 Unit:mm

公称 外径 Nominal Pipe Size	平均外径 允许差 Tolerance of Average Outside Diameter	壁厚 允许差 Tolerance of wall Thickness	PN0.63		PN0.8		PN1.0		PN1.25		PN1.6		PN2.0		PN2.5		长度 (m) Length (m)
			最小厚度 minimum thickness	参考重量 (kg/m) Approx. Weight (kg/m)	最小厚度 minimum thickness	参考重量 (kg/m) Approx. Weight (kg/m)	最小厚度 minimum thickness	参考重量 (kg/m) Approx. Weight (kg/m)	最小厚度 minimum thickness	参考重量 (kg/m) Approx. Weight (kg/m)	最小厚度 minimum thickness	参考重量 (kg/m) Approx. Weight (kg/m)	最小厚度 minimum thickness	参考重量 (kg/m) Approx. Weight (kg/m)	最小厚度 minimum thickness	参考重量 (kg/m) Approx. Weight (kg/m)	
20	+0.3 0	+0.4											2.0	0.178	2.3	0.202	4
25	+0.3 0	+0.4								2.0	0.228	2.3	0.260	2.8	0.304		
32	+0.3 0	+0.4						2.0	0.297	2.4	0.353						
40	+0.3 0	+0.5					2.0	0.377	2.4	0.448	3.0	0.541					
50	+0.3 0	+0.6			2.0	0.476	2.4	0.568	3.0	0.688							
63	+0.3 0	+0.7	2.0	0.605	2.5	0.749	3.0	0.878	3.8	1.092							
75	+0.3 0	+0.8	2.3	0.835	2.9	1.023	3.6	1.254	4.5	1.538							
90	+0.3 0	+0.9	2.8	1.198	3.5	1.480	4.3	1.794	5.4	2.207							
110	+0.4 0	+1.0	2.7	1.427	3.4	1.778	4.2	2.169	5.3	2.687	6.6	3.281					
125	+0.4 0	+0.9							6.0	3.430						6	
140	+0.5 0	+1.1	3.5	2.339	4.3	2.845	5.4	3.518	6.7	4.293							
160	+0.5 0	+1.2	4.0	3.025	4.9	3.671	6.2	4.608	7.7	5.625							
200	+0.6 0	+1.4	4.9	4.620	6.2	5.810	7.7	7.106	9.6	8.748							
250	+0.8 0	+1.6	6.2	7.313	7.7	8.960	9.6	11.053	11.9	13.517							
315	+1.0 0	+2.0	7.7	11.368	9.7	14.182	12.1	17.545	15.0	21.426	21.1	33.526					
355	+1.1 0	+2.4	8.7	14.451	10.9	17.924	13.6	22.162	16.9	27.194							
400	+1.2 0	+2.6	9.8	18.307	12.3	22.816	15.3	28.093	19.1	34.665	26.7	53.661					
450	+1.4 0	+2.6	11.0	23.075	13.8	28.724	17.2	35.511	21.5	43.830							

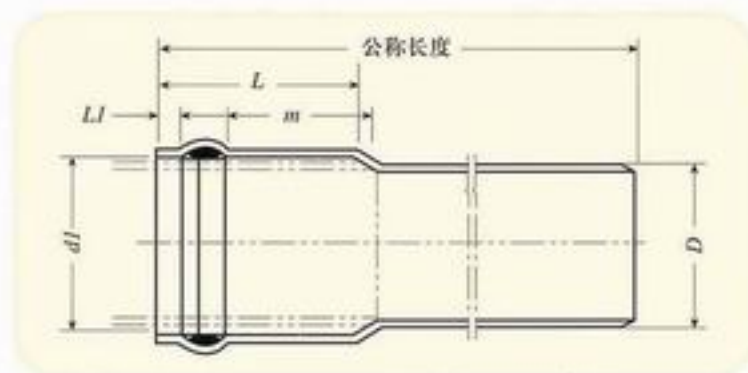
注: 1. 表中所列压力等级为20℃下许可操作压力。

2. 管材长度也可依订货要求确定。计划产品颜色为灰色, 也可依订货要求确定。

Note: 1. The pressure shows the allow operating pressure as 20℃ in this list.

2. The Lengths & Colors can be made to meet by client's request. (General color gray.)

(四)弹性密封圈式连接(活套)给水用管: Spigot Type for Gasket Joint(Water Works Use) (Q/NYX 03 < ISO 4422)



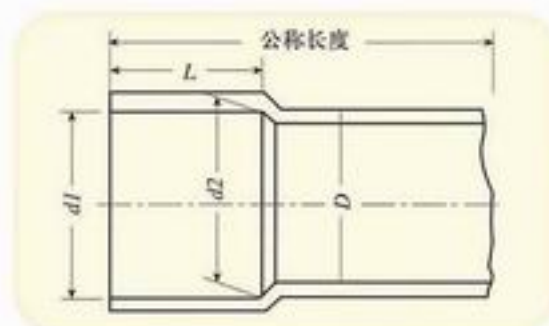
单位 Unit:mm

公称外径 Nominal Pipe Size	d1 (最小值) Minimum	L (最小值) Minimum	L1 (最小值) Minimum	m (最小值) Minimum	D 平均外径允许差 Tolerance of Average Outside Diameter	公称长度 (m) Length
63	65 ± 1.0	92	15 ± 3.0	56	63 +0.3 -0	4
75	77 ± 1.0	110	20 ± 3.0	67	75 +0.3 -0	
90	92 ± 1.0	115	20 ± 3.0	70	90 +0.3 -0	
110	113 ± 1.5	130	25 ± 4.0	75	110 +0.4 -0	
140	114 ± 2.0	145	25 ± 4.0	81	140 +0.5 -0	6
160	165 ± 2.5	175	30 ± 4.0	86	160 +0.5 -0	
200	206 ± 3.0	195	30 ± 4.0	94	200 +0.6 -0	
250	256 ± 3.0	212	32 ± 5.0	97	250 +0.8 -0	
315	322 ± 3.5	305	45 ± 5.0	170	315 +1.0 -0	
355	363 ± 4.0	285	35 ± 5.0	109	355 +1.1 -0	
400	408 ± 4.0	330	35 ± 5.0	130	400 +1.2 -0	
450	458 ± 4.0	370	38 ± 7.0	138	450 +1.4 -0	
*500	508 ± 4.0	410	40 ± 10.0	145	500 +1.5 -0	
*630	640 ± 5.0	500	40 ± 10.0	165	630 +1.9 -0	

- 注: 1. D为PVC管任意垂直两方向之外径平均值。
 2. 管材长度也可依订货要求确定。计划产品颜色为灰色, 也可依订货要求确定。
 3. "*"表示该规格产品, 开发中。
- Note: 1. "D" means the Average Outside Diameter of PVC pipes.
 2. The Lengths & Colors pipe can be made to meet by client's request. (General color be gray.)
 3. Mark "*" Shows the product being developed.

(五) T.S平承口放口管(单放):

BELL-END Type for Solvent Weld Joint
(One End Bell)
(Q/NYX 03 = ISO 4422)



单位 Unit:mm

公称外径 Nominal Pipe Size	d1	1/T	L	D	公称长度 Length (m)
20	20.55 ± 0.20	1/34	28	20 +0.3 -0	4
25	25.60 ± 0.20	1/34	34	25 +0.3 -0	
32	32.70 ± 0.25	1/34	40	32 +0.3 -0	
40	40.75 ± 0.25	1/34	44	40 +0.3 -0	
50	50.85 ± 0.30	1/37	55	50 +0.3 -0	
63	63.95 ± 0.30	1/54	70	63 +0.3 -0	
75	75.95 ± 0.30	1/60	90	75 +0.3 -0	
90	91.05 ± 0.30	1/64	100	90 +0.3 -0	
110	111.20 ± 0.35	1/68	125	110 +0.4 -0	
125	126.30 ± 0.35	1/68	135	125 +0.4 -0	
140	141.45 ± 0.40	1/70	150	140 +0.5 -0	
160	161.65 ± 0.45	1/72	170	160 +0.5 -0	
200	201.90 ± 0.55	1/74	200	200 +0.6 -0	
250	252.30 ± 0.60	1/76	240	250 +0.8 -0	
315	317.75 ± 0.70	1/78	300	315 +1.0 -0	
355	358.05 ± 0.80	1/80	330	355 +1.1 -0	
400	403.50 ± 0.90	1/82	370	400 +1.2 -0	
450	454.00 ± 1.00	1/84	410	450 +1.4 -0	
*500	504.30 ± 1.20	1/86	450	500 +1.5 -0	
*630	635.00 ± 3.50	1/88	500	630 +1.9 -0	

注: 1. D为PVC管之平均外径, d1为放口承口垂直两方向之平均值, 2. L之允许差, $\phi 50\text{mm}$以下为+0.4mm, -1.0mm, $\phi 63\text{mm}$以上为+1.0mm, -5.0mm.
 3. $1/T=d1-d2/L$ (d2为承口根部之内径), 4. T.S放口管给、排水管材其他参数参阅给、排水管规格参数。

Note: 1. "D" means the Average Outside Diameter of PVC Pipe, "d1" refers to the arithmetic mean value of 0.D's of any two given pipes at the right angle to each other.
 2. The Tolerances of "L" as follow: $\phi 50$, +4.0mm, -1.0mm; > $\phi 63\text{mm}$, +10mm, -50mm.
 3. $1/T=d1-d2/L$.
 4. The other data of Bell-End Type for Solvent Weld Joint, please refers to PVC pipe for Drainage and water works.
 5. Mark "*" Shows the product being developed.

(六) 建设部标准 JG/T3050-1998 电工套管规格尺寸

单位 Unit: mm

公称外径 Nominal Pipe Size	平均外径允许差 Tolerance of Average Outside Diameter	最小内径 Minimum inside diameter	壁厚 Wall Thickness		参考重量 kg/m	套管长度 Length m
			最小 Minimum	允许差 Tolerance		
16	0 -0.3	12.2	轻型	1.0	+0.3	0.076 0.088 0.111
			中型	1.2		
			重型	1.6		
20	0 -0.3	15.8	中型	1.25	+0.3	0.117 0.157
			重型	1.8		
25	0 -0.4	20.6	中型	1.5	+0.3	0.172 0.210
			重型	1.9		
32	0 -0.4	26.6	轻型	1.5	+0.3	0.224 0.263 0.336
			中型	1.8		
			重型	2.4		
40	0 -0.4	34.4	轻型	1.9	+0.3	0.349 0.381 0.444
			中型	2.1		
			重型	2.5		

3.8^{+0.005}₀
也可根据
运输及工
程要求而
定

(七) 输水灌溉用管 PVC Pipe for Irrigation

单位 Unit: mm

公称外径 Nominal Pipe Size	平均外径允许差 Tolerance of Average Outside Diameter	厚度 Wall Thickness		参考重量 (kg/m) Approx. Weight	20℃许可操作 压力MPa The allow operation pressure as 20℃	实际长度 Length (m)	套管长度 Length (m)
		最小 Minimum	允许差 Tolerance				
50	+0.3 0	1.6	+0.4	0.404	0.63	4.00	4
63	+0.3 0	1.9	+0.4	0.595	0.60	4.00	
75	+0.3 0	1.9	+0.4	0.712	0.50	4.00	
90	+0.3 0	2.2	+0.4	0.978	0.50	4.00	
110	+0.4 0	2.2	+0.4	1.201	0.32	4.00	
160	+0.5 0	3.2	+0.5	2.512	0.32	6.17	6
200	+0.6 0	3.9	+0.6	3.824	0.32	6.20	

注：1. 该系列产品 $\phi 50$ - $\phi 90$ 壁厚与许可操作压力按 ISO-4422, $\phi 110$ - $\phi 200$ 壁厚与许可操作压力按 GB/T13664。

2. 管材长度也可依订货要求确定，颜色为灰色，也可依订货要求确定。

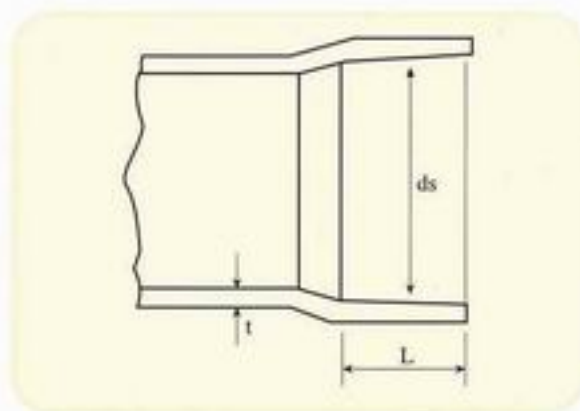
Note: 1. The thickness and allowed operating pressure of $\phi 50$ - $\phi 90$ is set up according to ISO-4422 while $\phi 110$ - $\phi 200$ is set up according to GB/T13664.

2. The Lengths & colors Pipe can be made to meet by clients request. (General color be gray)

3 排水用PVC管件规格 Specification of PVC Fitting for drainage

(Q/NYF 02=ISO 3633)

(一) 排水管件承口细部尺寸明细表



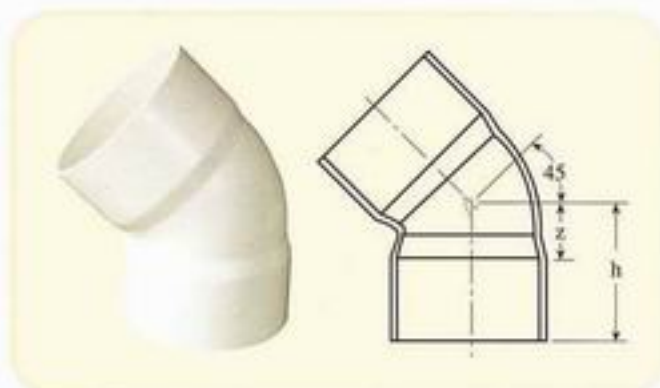
排水管件承口尺寸
BELL-END Size of PVC Fitting for Drainage

单位 Unit:mm

公称直径 Nominal diameter	承口中部内径 ds	承口深度 L	t
40	40.25 ± 0.15	28.5	3.2
50	50.25 ± 0.15	32.5	3.2
75	75.30 ± 0.20	43.0	3.2
90	90.30 ± 0.20	49.0	3.2
110	110.40 ± 0.20	51.0	3.2
160	160.45 ± 0.25	61.0	4.0
200	200.50 ± 0.30	70.0	4.9
250	250.65 ± 0.35	83.0	6.2
315	315.80 ± 0.40	101.0	7.7

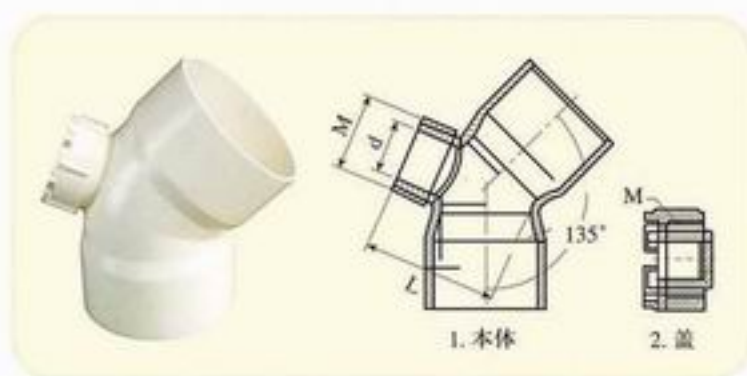
(二) 45° 弯头 45° Elbow

单位 Unit:mm



公称直径 Nominal diameter	h	z
40	53	24.5
50	58	25.5
75	73	30
90	82	33
110	88	37
160	111	50
200	131	61
250	160	77
315	198	97

45° 弯头带检查口 45° Elbow of check openings

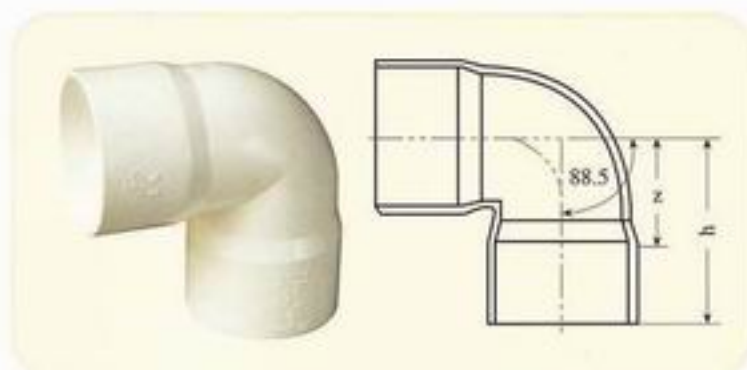


单位 Unit:mm

公称直径 Nominal diameter	M	d	L
50	36	26	64.1
75	36	26	
110	62	53	158.0
160	62	53	

注: 其他尺寸参照不带检查口的45° 弯头。
Note: The other size according to 45° Elbow .

(三)90° 弯头 90° Elbow



单位 Unit:mm

公称直径 Nominal diameter	h	Z
40	67	38.5
50	75	42.5
75	99	56
90	107	58
110	127	76
160	159	98
200	186	116
250	229	146
315	285	184

90° 弯头带检查口 90° ELBOWS of check openings

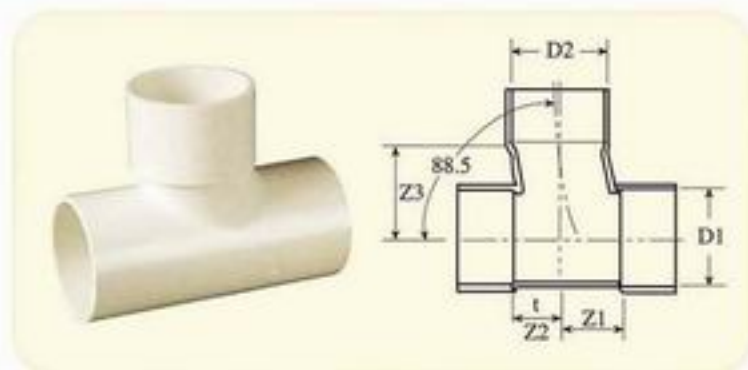


单位 Unit:mm

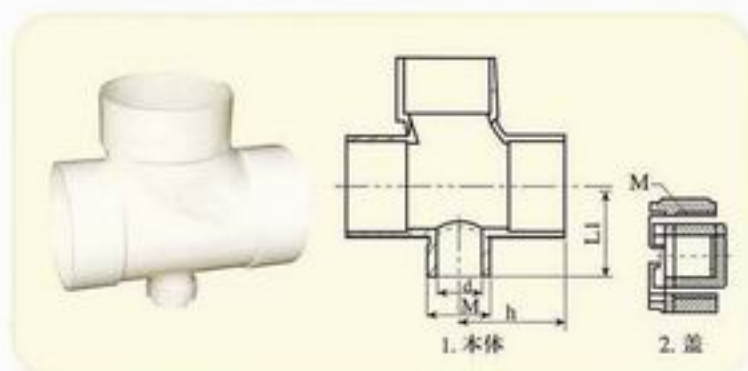
公称直径 Nominal diameter	M	d	L
50	36	26	34.27
75	36	27	41.0
110	62	53	51.84
160	62	53	66.02

注: 其他尺寸参照不带检查口的90° 弯头。
Note: The others size according to 90° Elbow .

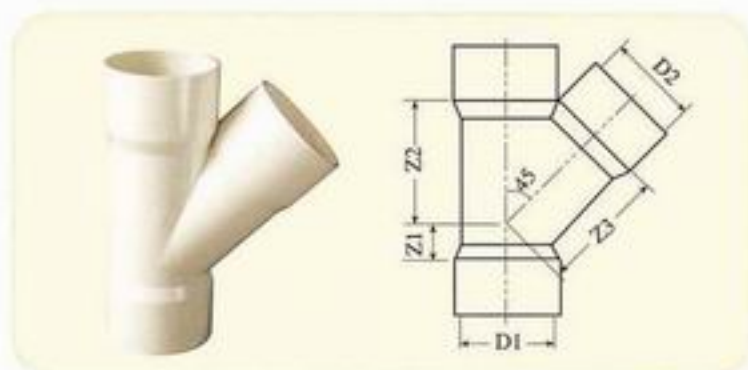
(四) 90° 三通 90° Tee



90° 三通带检查口 90° Tee of check openings



(五) 45° 三通 45° Wye



单位 Unit:mm

公称直径 Nominal diameter	D ₁	D ₂	Z ₁	Z ₂	Z ₃
40 × 40	40	40	24	21	31
50 × 50	50	50	30	26	37
75 × 50	75	50	44	32	57.5
75 × 75	75	75	47	39	54
90 × 50	90	50	36.5	30.5	62.5
90 × 75	90	75	53.5	39.5	66
90 × 90	90	90	56	47	64
110 × 50	110	50	40	25	72.5
110 × 75	110	75	54	36	81
110 × 90	110	90	64	44	79
110 × 110	110	110	68	56	78
160 × 90	160	90	71	43	109
160 × 110	160	110	85	53	109
160 × 160	160	160	97	84	112
200 × 160	200	160	118	80	139
200 × 200	200	200	123	105	139
250 × 250	250	250	153	134	174

单位 Unit:mm

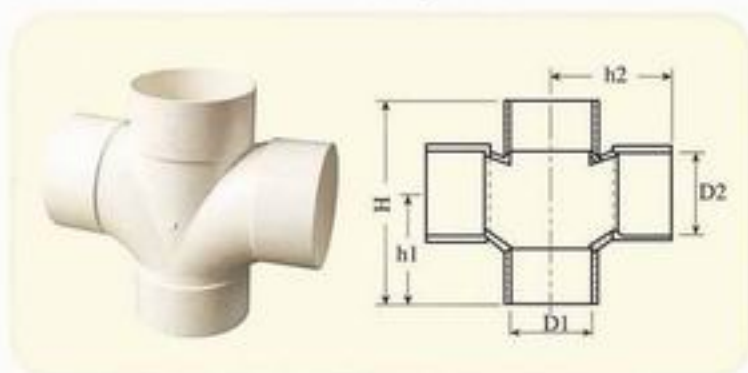
公称直径 Nominal diameter	M	d	L ₁	h
50	36	26	50	62
75	36	27.4	60.5	90.5
110	62	53	78	119
160	62	52	115.2	159

注: 其他尺寸参照不带检查口的90°三通。
Note: The others size according to 90° Tee.

单位 Unit:mm

公称直径 Nominal diameter	D ₁	D ₂	Z ₁	Z ₂	Z ₃
75 × 50	75	50	12	80	85
75 × 75	75	75	28	97	97
90 × 50	90	50	5	87	96
90 × 75	90	75	23	104	109
90 × 90	90	90	31	115	115
110 × 50	110	50	-5	96	111
110 × 75	110	75	13	116	123
110 × 90	110	90	24	126	131
110 × 110	110	110	35	139	139
160 × 90	160	90	4	156	165
160 × 110	160	110	18	170	176
160 × 160	160	160	48	201	201
200 × 160	200	160	39	229	231
200 × 200	200	200	56	246	246
250 × 250	250	250	84	322	322

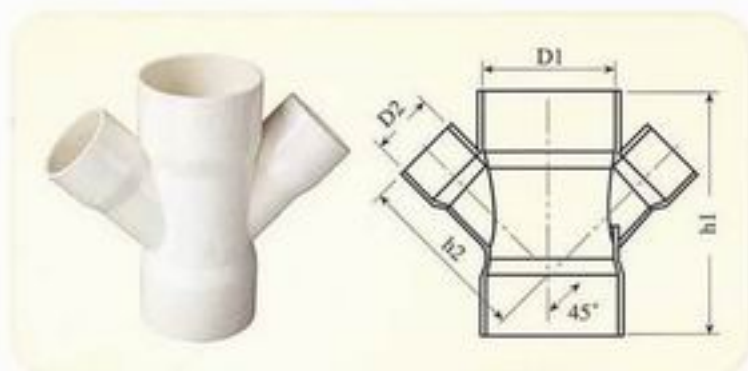
(六) 正四通 (平面四通) 4-W joint



单位 Unit:mm

公称直径 Nominal diameter	D ₁	D ₂	h ₁	h ₂	H
50 × 50	50	50	65.5	73	124
75 × 50	75	50	77	87	148
75 × 75	75	75	93	102	175
110 × 50	110	50	91	105	167
110 × 75	110	75	104	120	195
110 × 110	110	110	131	132	238
160 × 110	160	110	144	160	262
160 × 160	160	160	176	179	318
200 × 160	200	160	182	200	334
200 × 200	200	200	212	215	383

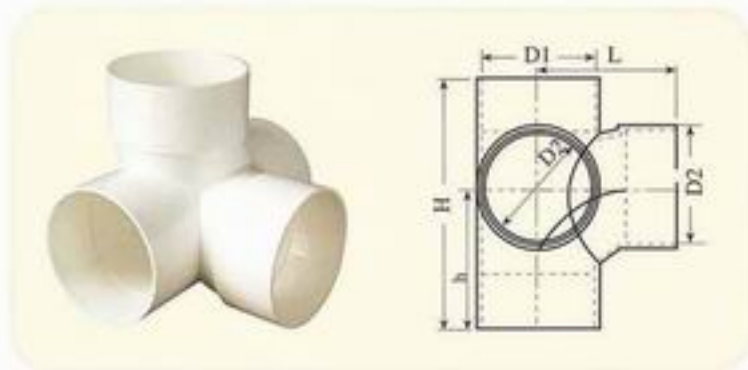
(七) 斜四通 Helical 4-W joint



单位 Unit:mm

公称直径 Nominal diameter	D ₁	D ₂	h ₁	h ₂
75 × 50	75	50	178	117.8
110 × 50	110	50	200	143.0
110 × 75	110	75	231	165.8
160 × 110	160	110	310	226.6
200 × 200	200	160	408	291.8

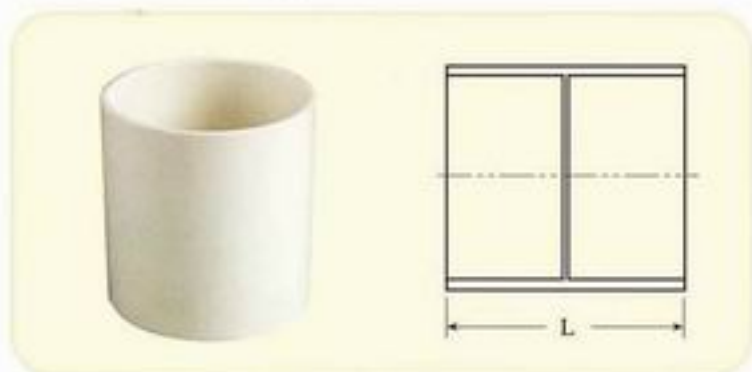
(八) 直角四通 (立体四通) Solid 4-W joint



单位 Unit:mm

公称直径 Nominal diameter	D ₁	D ₂	L	h	H
110 × 75	110	75	120	104	195
110 × 110	110	110	134	133	240

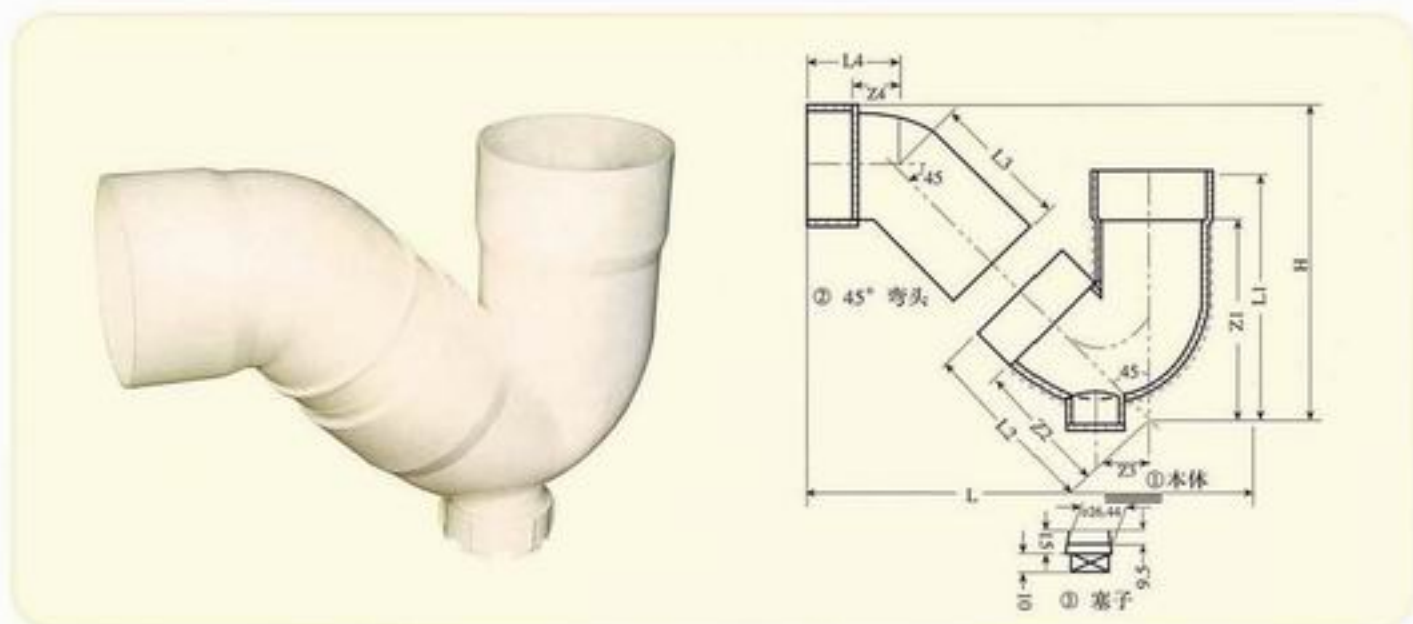
(九)管箍 Coupling



单位 Unit:mm

公称直径 Nominal diameter	L
75	89
90	101
110	105
160	126
200	144
250	170
315	206

(十)P型存水弯 "P" Trap with solvent weldjoint and cleanout plug



单位 Unit:mm

公称直径 Nominal diameter	Z ₁	Z ₂	Z ₃	Z ₄	L ₁	L ₂	L ₃	L ₄	L	H
50	82	64	23.2	18	114.5	96.5	63	50.5	184	133
75	130	95	35.2	25	173.0	138.0	98	68.0	252	185
90	155	113	42.2	30	204.0	162.0	109	79	291	224
110	190	135	51.6	42	241.0	186.0	135	93.0	365	271

- 注: 1.P型存水接头系包含①本体②45°弯头③塞子。
 2.Z₁、Z₂、Z₃或Z₄之容许差为 $\pm\frac{3}{2}$ mm。
 3.本体及塞子螺牙为斜管螺纹。
 4.产品亦可依点线制造。
- Note: 1.The product include: ①Body ②45° Solvent weld joint ③cleanout plug.
 2.The Tolerance of Z₁、Z₂、Z₃ and Z₄ as follow: $\pm\frac{3}{2}$ mm.
 3.The screw of Body and Joint is NPT screw.
 4.This product also can be made by dashed line.

S型存水弯 "S" Trap with solvent weld joint and cleanout plug

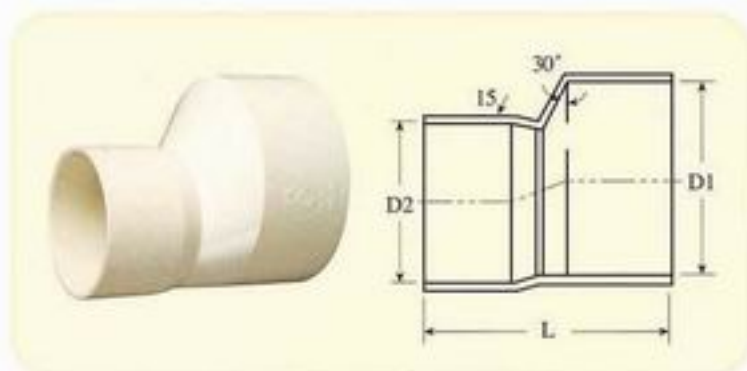


单位 Unit:mm

公称直径 Nominal diameter	H	h	L
50	162	50	80
75			
90			
110			

注: 1.S型存水弯包含双承口弯头和单承口弯头两个组件。
2.产品其他尺寸参照P型水弯。
Note: 1."S" Trap with solvent weld joint and cleanout plug include Double-adapter elbow and single-adapter elbow.
2.The other size according to "P".

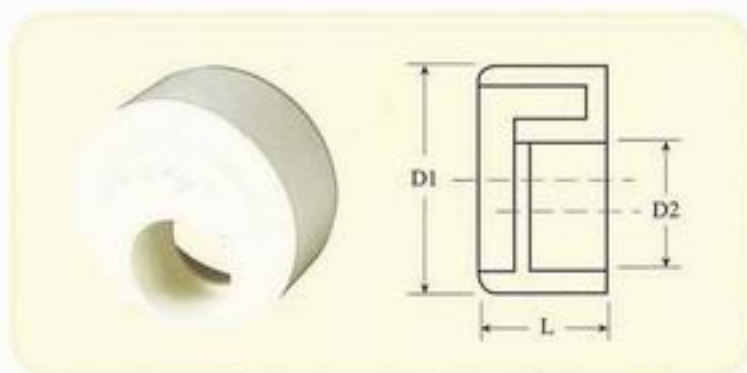
(十一)长型异径管 Reducing socket(long type)



单位 Unit:mm

公称直径 Nominal diameter	D ₁	D ₂	L
90 × 75	90	75	110
110 × 50	110	50	133
110 × 75	110	75	112
110 × 90	110	90	118
160 × 75	160	75	122
160 × 90	160	90	128
160 × 110	160	110	130
200 × 110	200	110	139
200 × 160	200	160	153
250 × 160	250	160	163
250 × 200	250	200	180
315 × 200	315	200	197
315 × 250	315	250	217

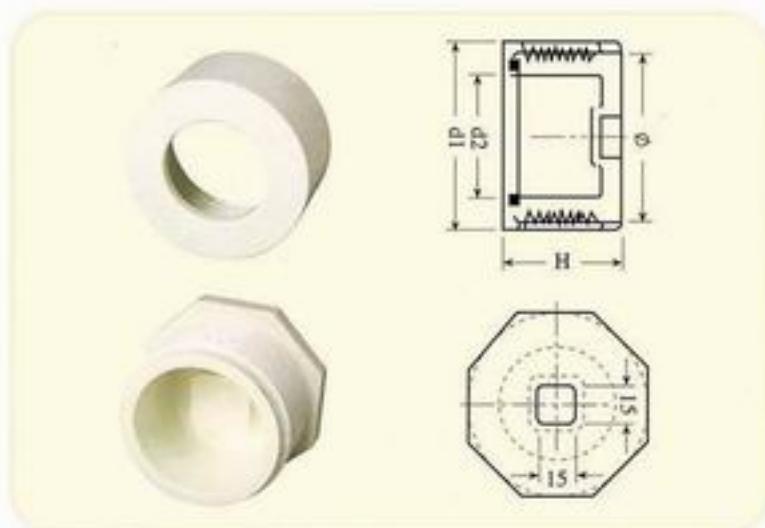
短型异径管(普生) Reducing Socket(short type)



单位 Unit:mm

公称直径 Nominal diameter	D ₁	D ₂	L
110 × 50	110	50	50.5
110 × 75	110	75	50.5
110 × 90	110	90	50.5

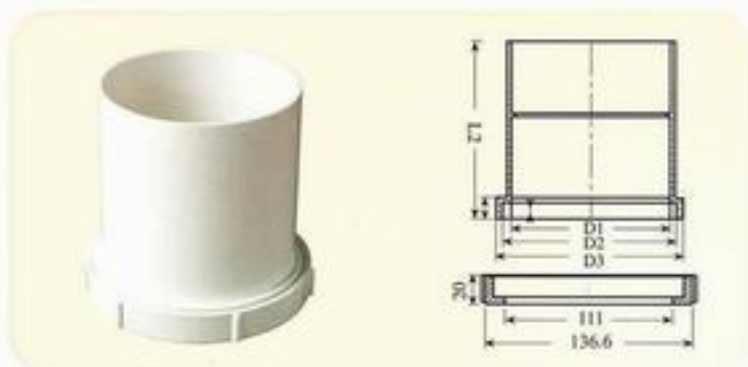
(十二) 清扫口 Cleanout Socket



单位 Unit:mm

公称直径 Nominal diameter	Ø	d ₁	d ₂	H
50	M42 × P4	50.11	29.6	30
75	M64 × P4	75.11	48.6	40
90	M80 × P4	90.09	64.6	46
110	M100 × P4	110.18	82.5	48

(十三) 伸缩节 Adaptor



单位 Unit:mm

公称直径 Nominal diameter	A	B	C	L
40	65	5	18	139.9
50		5	18	143.9
75		5	20	156.4
90		5	23	165.4
110		6	26	175.4
160		9	32	198.6
200		10	35	221.6
250		10	35	245.4
315		10	40	279.8

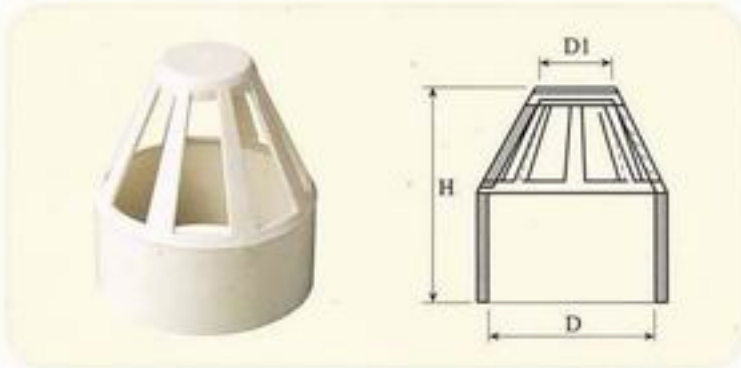
(十四) 立管检查口 Check opening



单位 Unit:mm

公称直径 Nominal diameter	M	h	L
50	36	64	49
75	62	88	64
110	100	119	90
160	100	125	130
200	100	144	152

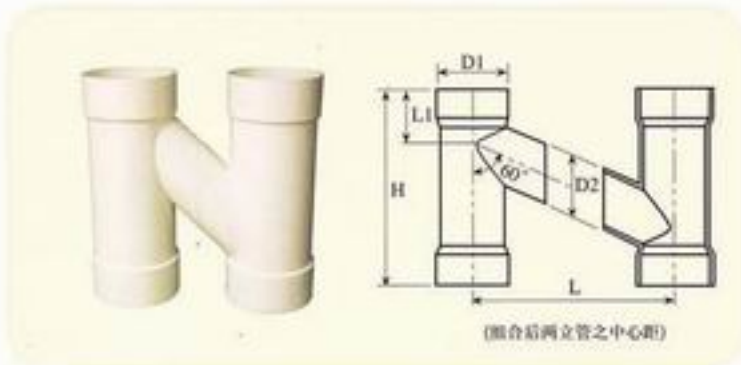
(十五) 通气帽 Ventilation Map



单位 Unit:mm

公称直径 Nominal diameter D	D ₁	H
50	21	65
110	40	126
160	78	146

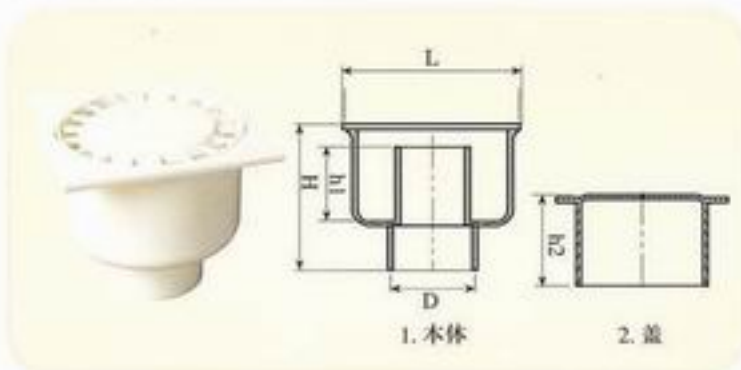
(十六) H管 Type H(Drainage Pipe)



单位 Unit:mm

公称直径 Nominal diameter	D ₁	L ₁	H	D ₂	L
75 × 50	75	64	233	50	181.86
75 × 75	75	77	281	75	219.97
110 × 75	110	77	301	75	254.61
110 × 110	160	96	354	110	280.59
160 × 110	160	95	382	110	332.55
160 × 160	160	123	466	160	381.05

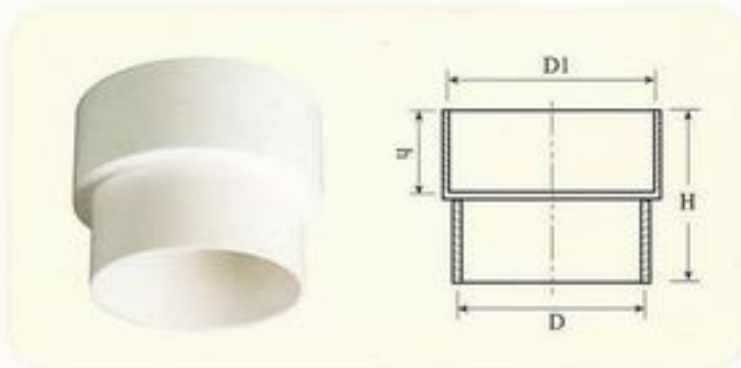
(十七) 地漏 Floor Drain



单位 Unit:mm

公称直径 Nominal diameter D	L	h ₁	h ₂	H
50	99.5	53	50	104
75	163	70	74.7	139

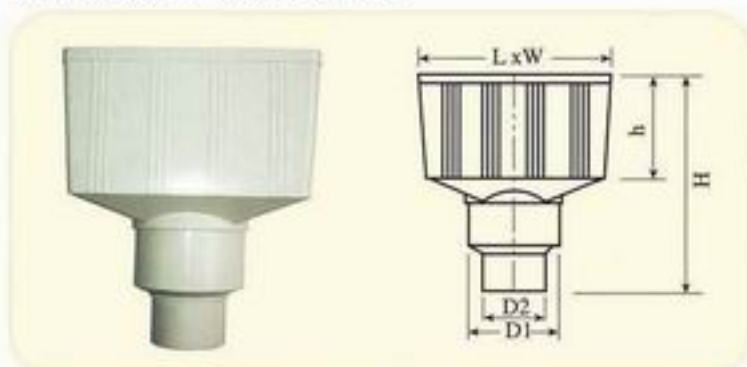
(十八) 大便器连接件 Connectors



单位 Unit:mm

公称直径 Nominal diameter D	D ₁	h	H
110	132	50	104.2

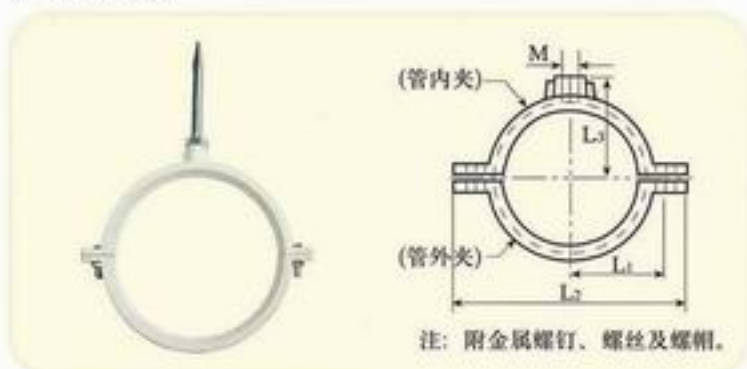
(十九) 雨水斗 Rain Funnel



单位 Unit:mm

公称直径 Nominal diameter	D1	D2	h	H	L	W
110 × 75	110	75	129	269	234	162
160 × 90	160	90	129	301	305	220

(二十) 管夹



单位 Unit:mm

公称尺寸 Nominal Pipe Size	L ₁	L ₂	L ₃	M
50	35	86	38	6
75	47.5	111	50.5	6
90	55	126	62	8
110	65	146	72	8
160	91	198	101	10
200	111	238	121	10

注: 附金属螺钉、螺丝及螺帽。

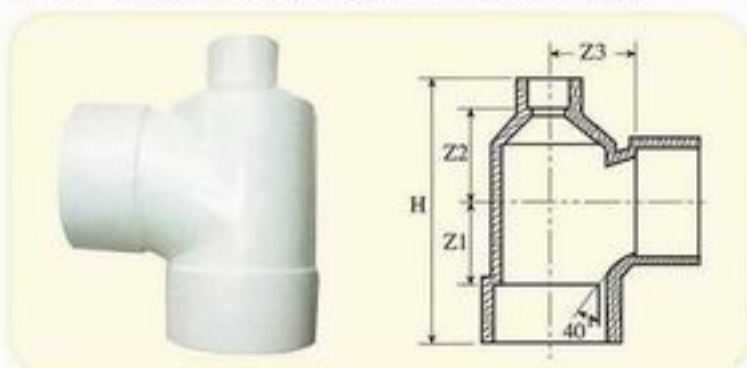
(二十一) 筏用管堵 Cap For Raft



单位 Unit:mm

公称尺寸 Nominal Pipe Size	D	D ₁	h	H
160	153.0	163.0	60	82
200	191.1	203.0	65	93
250	238.5	253.5	85	121
315	301.0	319.0	100	144

(二十二) 瓶形三通 Bottle form Three Ways



单位 Unit:mm

公称尺寸 Nominal Pipe Size	Z ₁	Z ₂	Z ₃	H
110 × 50	68	76	77	227.5
110 × 75	68	79	77	241.0

4 给水用PVC管件规格 Specification of PVC Fitting for Feed Water

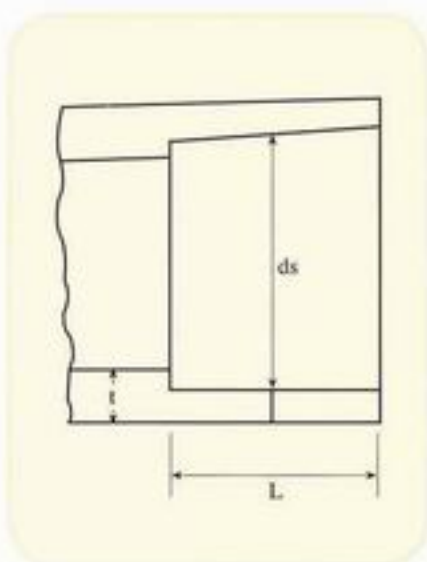
(Q/NYF 04=ISO-4422)

(一) 给水管件承口细部尺寸明细表

给水管件承口尺寸

BELL-END Size of PVC Fitting for Feed Water

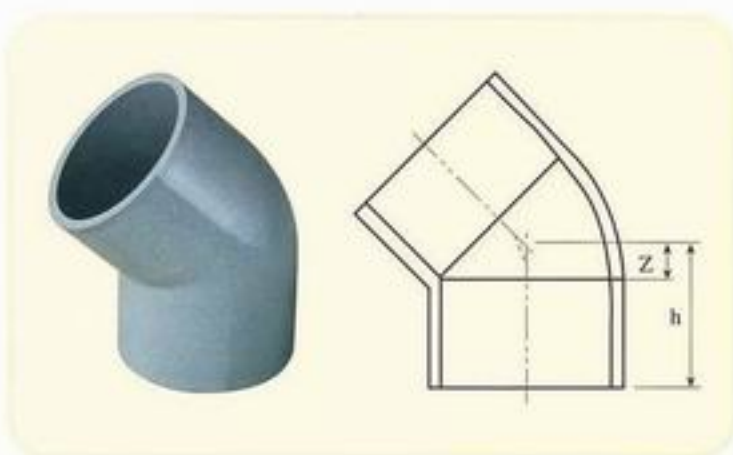
单位 Unit:mm



公称直径 Nominal diameter	承口中径内径 ds	承口深度 L	t
20	20.20 ± 0.10	18.0	3.00
25	25.20 ± 0.10	20.5	3.25
32	32.20 ± 0.10	24.5	3.25
40	40.20 ± 0.10	28.5	3.75
50	50.20 ± 0.10	33.5	3.75
63	63.20 ± 0.10	40.0	5.25
75	75.20 ± 0.10	46.5	5.75
90	90.20 ± 0.10	54.0	6.75
110	110.25 ± 0.15	64.0	8.00
140	140.35 ± 0.15	80.0	8.25
160	160.35 ± 0.15	90.0	9.75
200	200.45 ± 0.15	111.0	11.75
250	250.60 ± 0.20	135.0	14.25
315	315.75 ± 0.25	167.0	17.50

(二) 45° 弯头 45° Elbow

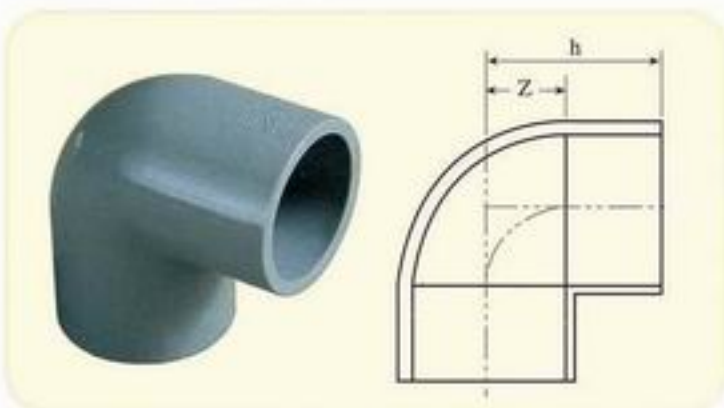
单位 Unit:mm



公称直径 Nominal diameter	Z	h
20	5.0	23
25	6.0	26.5
32	7.5	32
40	9.5	38
50	11.5	45
63	14.0	54
75	16.5	63
90	19.5	73.5
110	23.5	87.5
140	30.0	110.0
160	34.0	124.0
200	38.0	149.0
250	40.0	175.0

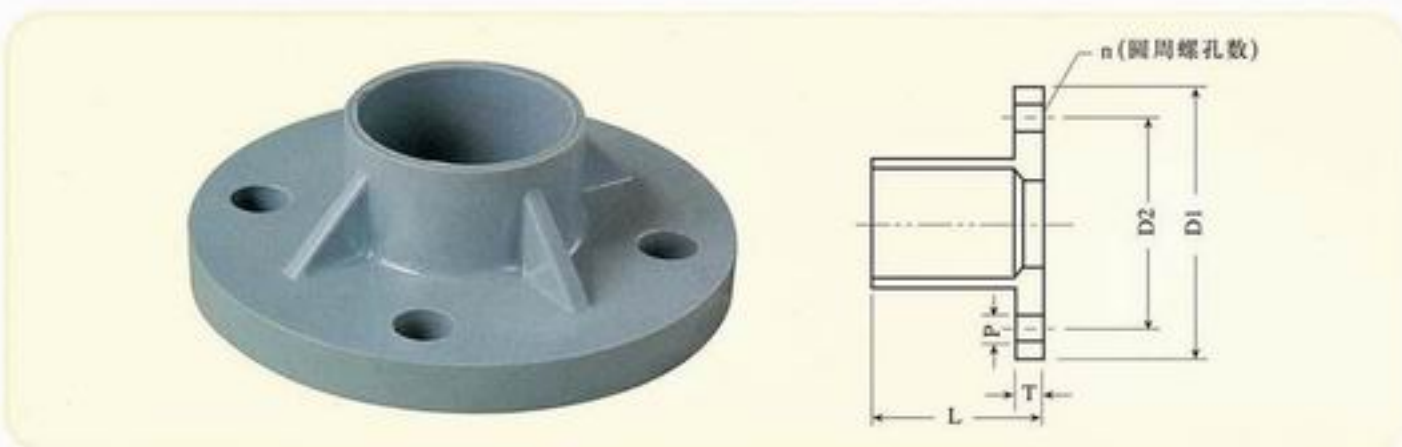
(三) 90° 弯头 90° Elbow

单位 Unit:mm



公称直径 Nominal diameter	Z	h
20	11.0	29.0
25	13.5	34.0
32	17.0	41.5
40	21.0	49.5
50	26.0	59.5
63	32.5	72.5
75	38.5	85.0
90	46.0	100.0
110	56.0	120.0
140	71.0	151.0
160	81.0	171.0
200	102.0	213.0

(四) 法兰接头 Flange



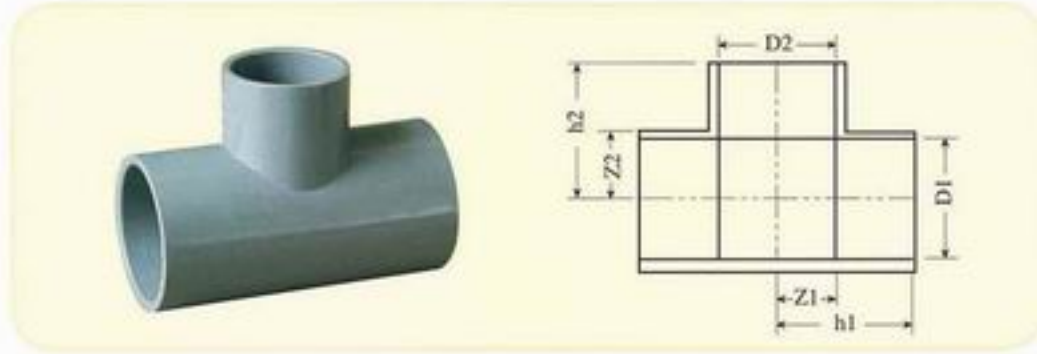
单位 Unit:mm

公称直径 Nominal diameter	D1	D2	d	T	n	L
63	165	125	18	17	4	57.0
75	185	145	18	18	4	64.5
90	200	160	18	19	8	73.0
110	220	180	18	19	8	83.0
140	250	210	18	20	8	100.0
160	285	240	22	22	8	112.0
200	340	295	22	25	8	136.0
250	395	350	22	27	12	162.0
315 *	445	400	22	55	12	205.0

* $\phi 315$ 法兰是由法兰本体和法兰环两件组合成式。

* $\phi 315$ Flange consists of Body and Flange Circle.

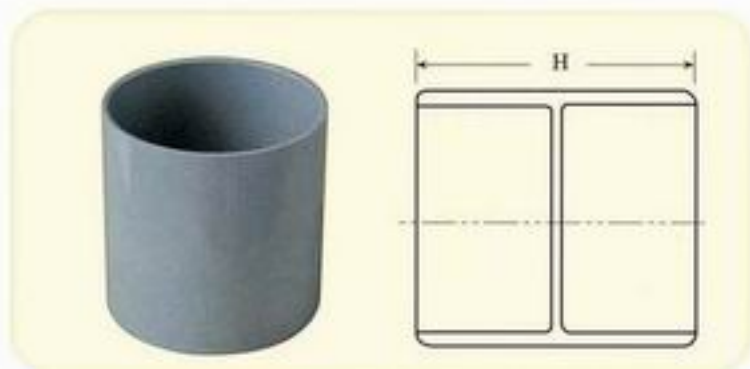
(五)90° 三通 Tee



单位 Unit:mm

公称直径 Nominal pipe diameter	D ₁	Z ₁	D ₂	Z ₂	h ₁	h ₂
20 × 20	20	11.0	20	11.0	29.0	29.0
25 × 20	25	11.5	20	14.0	32.0	32.0
25 × 25	25	13.5	25	13.5	34.0	34.0
32 × 20	32	12.5	20	18.0	37.0	36.0
32 × 25	32	15.0	25	18.0	39.5	38.5
32 × 32	32	17.0	32	17.0	41.5	41.5
40 × 20	40	12.5	20	22.0	41.0	40.0
40 × 25	40	16.5	25	21.5	45.0	42.0
40 × 32	40	17.5	32	21.5	46.0	46.0
40 × 40	40	21.0	40	21.0	49.5	49.5
50 × 20	50	12.5	20	27.0	46.0	45.0
50 × 25	50	15.5	25	27.5	49.0	48.0
50 × 32	50	19.5	32	27.5	53.0	52.0
50 × 40	50	21.5	40	26.5	55.0	55.0
50 × 50	50	26.0	50	26.0	59.5	59.5
63 × 25	63	15.0	25	34.5	55.0	55.0
63 × 32	63	19.0	32	34.5	59.0	59.0
62 × 40	62	23.0	40	34.5	63.0	63.0
63 × 50	63	30.0	50	36.5	70.0	70.0
63 × 63	63	32.5	63	32.5	72.5	72.5
75 × 32	75	18.5	32	39.5	65.0	64.0
75 × 40	75	22.5	40	40.5	69.0	69.0
75 × 50	75	28.5	50	40.5	75.0	74.0
75 × 63	75	38.5	63	45.0	85.0	85.0
75 × 75	75	38.5	75	38.5	85.0	85.0
90 × 50	90	29.0	50	49.5	83.0	83.0
90 × 63	90	36.0	63	50.0	90.0	90.0
90 × 75	90	46.0	75	49.5	100.0	96.0
90 × 90	90	46.0	90	46.0	100.0	100.0
110 × 50	110	31.0	50	60.5	95.0	94.0
110 × 63	110	36.0	63	60.0	100.0	100.0
110 × 75	110	42.0	75	60.5	106.0	107.0
110 × 90	110	56.0	90	56.0	120.0	110.0
110 × 110	110	56.0	110	56.0	120.0	120.0
140 × 90	140	51.0	90	76.0	131.0	130.0
140 × 110	140	71.0	110	71.0	151.0	135.0
140 × 140	140	71.0	140	71.0	151.0	151.0
160 × 90	160	52.0	90	87.0	142.0	141.0
160 × 110	160	64.0	110	86.0	154.0	150.0
160 × 140	160	81.0	140	81.0	171.0	161.0
160 × 160	160	81.0	160	81.0	171.0	171.0
200 × 110	200	63.0	110	106.0	174.0	170.0
200 × 140	200	102.0	140	102.0	212.0	182.0
200 × 160	200	87.0	160	108.0	198.0	198.0
200 × 200	200	102.0	200	102.0	213.0	213.0
250 × 160	250	87.0	160	134.0	222.0	224.0

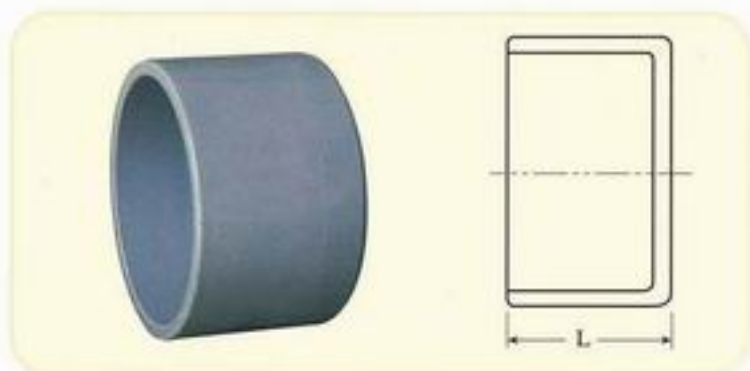
(六) 套管 Coupling



单位 Unit:mm

公称直径 Nominal diameter	H
20	39
25	44
32	52
40	60
50	70
63	83
75	97
90	113
110	134
140	166
160	188
200	230
250	278

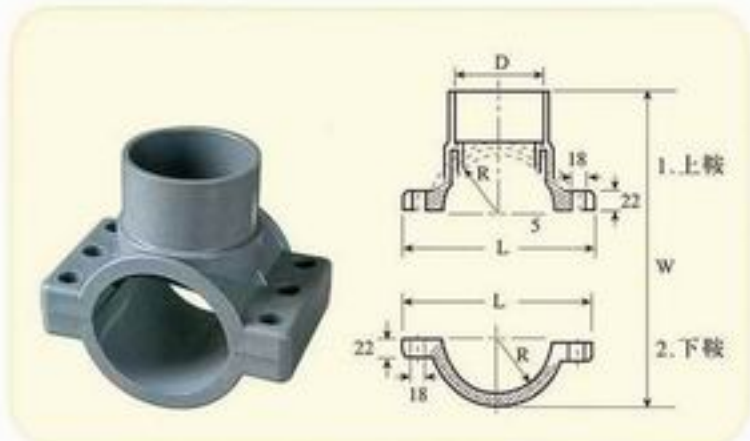
(七) 管堵 Cap



单位 Unit:mm

公称直径 Nominal diameter	L
20	21.00
25	23.75
32	27.75
40	32.25
50	37.25
63	45.25
75	52.25
90	60.75
110	72.00
140	88.25
160	99.75
200	122.75
250	149.25
315	184.50

(八) 分水鞍 Tapping Saddle

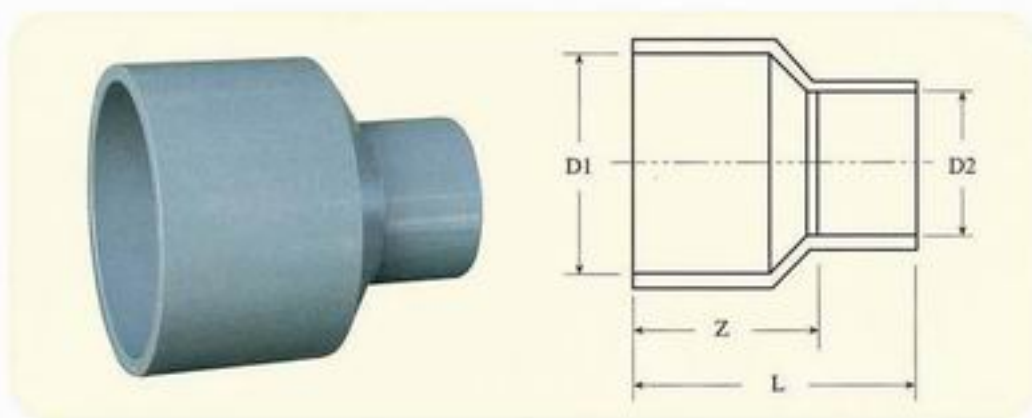


单位 Unit:mm

公称尺寸 Nominal Size	R	D	L	纵向长度W
110 × 90	55	90	200	188
140 × 110	70	110	236	227
160 × 140	80	140	260	265

注: 该系列产品配有专门橡胶垫圈供安装时使用。
Note: This Series of Products Provide special Rubber-Ring used for install.

(九) 长型异径管 Reducing Socket(Long Type)

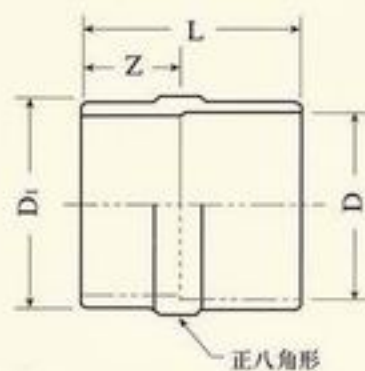


单位 Unit:mm

公称直径 Nominal diameter	D ₁	D ₂	L	Z
25 × 20	25	20	43.0	25
32 × 20	32	20	48.0	30
32 × 25	32	25	50.5	30
40 × 20	40	20	54.0	36
40 × 25	40	25	56.5	36
40 × 32	40	32	60.5	36
50 × 20	50	20	62.0	44
50 × 25	50	25	64.5	44
50 × 32	50	32	68.5	44
50 × 40	50	40	72.5	44
63 × 25	63	25	74.5	54
63 × 32	63	32	78.5	54
63 × 40	63	40	82.5	54
63 × 50	63	50	87.5	54
75 × 32	75	32	86.5	62
75 × 40	75	40	90.5	62
75 × 50	75	50	95.5	62
75 × 63	75	63	102	62
90 × 50	90	50	107.5	74
90 × 63	90	63	114	74
90 × 75	90	75	120.5	74
110 × 50	110	50	124	90.5
110 × 63	110	63	128	88
110 × 75	110	75	134.5	88
110 × 90	110	90	142	88
140 × 90	140	90	165	111
140 × 110	140	110	175	111
160 × 90	160	90	180	126
160 × 110	160	110	190	126
160 × 140	160	140	206	126
200 × 110	200	110	190	126
200 × 140	200	140	206	126
200 × 160	200	160	216	126
250 × 140	250	140	206	126
250 × 160	250	160	216	126
250 × 200	250	200	237	126
315 × 200	315	200	237	126
315 × 250	315	250	261	126

(十) 承口粘接和外螺纹变接头(止阀接头) Valve Socket

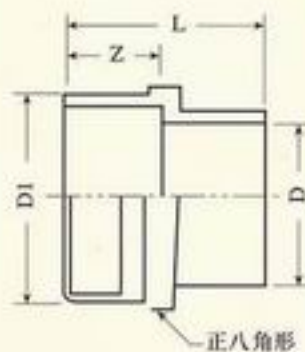
①同径



单位 Unit:mm

公称直径 Nominal diameter	螺纹尺寸 D ₁ (in)	Z	L
20	R 1/2	24	42.0
25	R 3/4	24	44.5
32	R 1	28	52.5
40	R 1 1/4	28	56.5
50	R 1 1/2	30	63.5
63	R 2	32	72.0

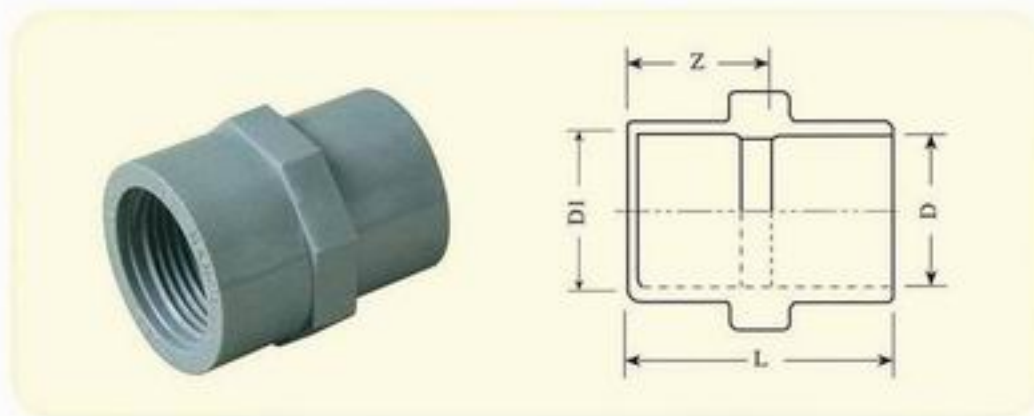
②异径



单位 Unit:mm

公称直径 Nominal diameter D	螺纹尺寸 D ₁ (in)	Z	L
20	R 3/4	24	42.0
25	R 1	28	48.5
32	R 1 1/4	28	52.5
40	R 1 1/2	30	58.5
50	R 2	32	65.5
63	R 2 1/2	41	81.0

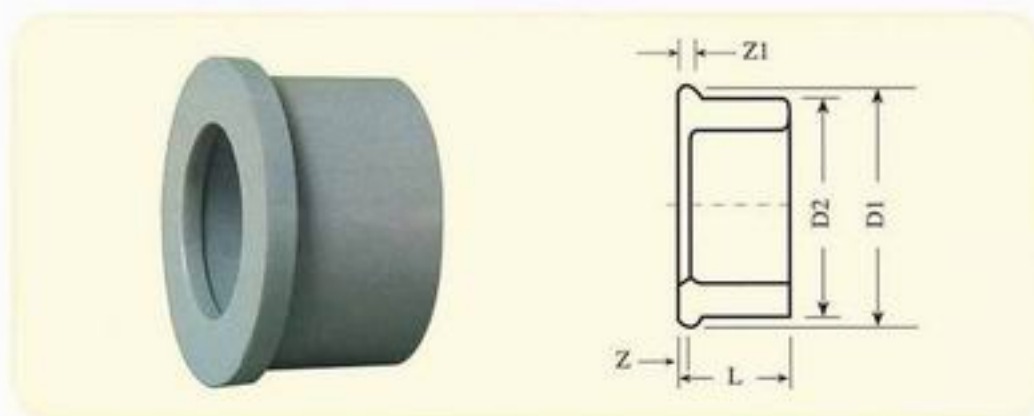
(十一) 承口粘接和内螺纹变接头(塑牙直接头) Female Adapters



单位 Unit:mm

公称直径 Nominal diameter	螺纹尺寸 D1(in)	Z	L
20	R 1/2	24	42.0
25	R 3/4	24	44.5
32	R 1	21.5	46.0
40	R 1½	24.5	53.0
50	R 2	28.5	62.0
63	R 2	28.5	68.5

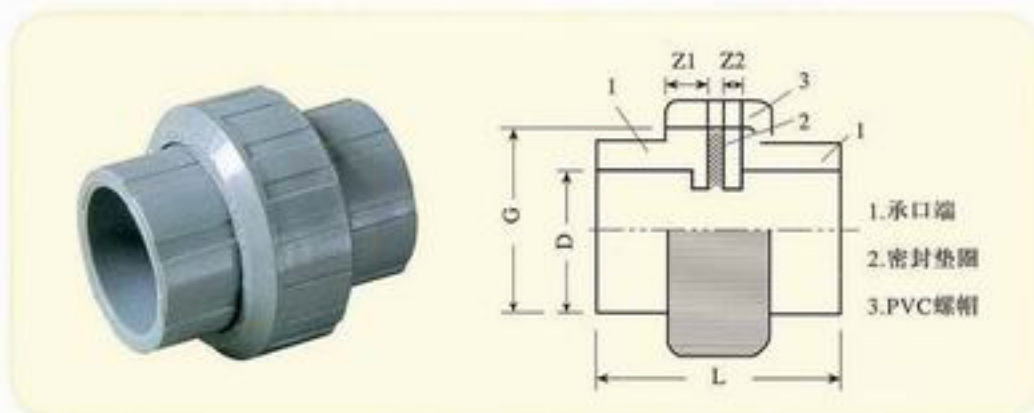
(十二) PVC接头端和活动金属螺帽(短由令) Union(short)



单位 Unit:mm

接头端(承口)		金属螺帽 G(in)	D ₁	D ₂	Z ₁	L
公称直径	Z					
20	3	1	39	34	3.5	21.0
25	3	1½	48	42	4.0	23.5
32	3	1½	57	51	4.5	27.5
40	3	2	65	58	5.0	31.5
50	3	2½	79	71	5.5	36.5
63	3.5	2½	97	88	6.0	43.5

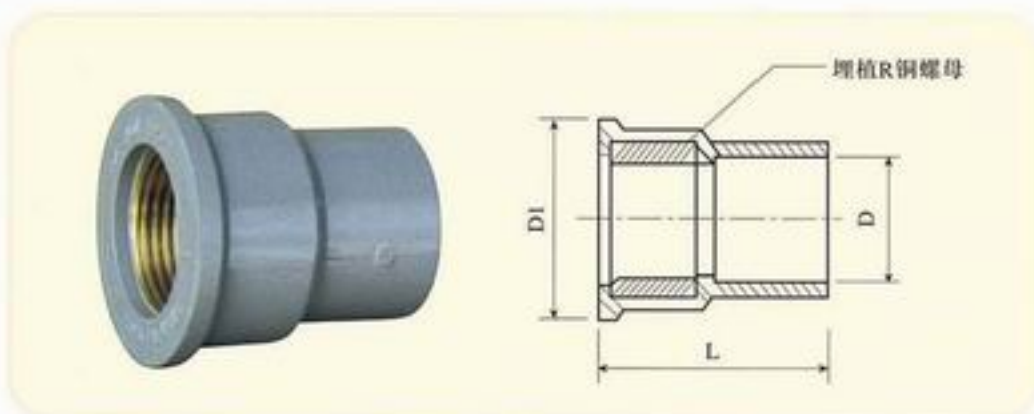
(十三) 活接头 Adaptor



单位 Unit:mm

公称直径 Nominal diameter D	接头端 (承口)		PVC接头螺帽 G(in)	L
	Z ₁	Z ₂		
20	8	3	1	50
25	8	3.5	1½	59
32	8	4	1½	62
40	10	4.3	2	84
50	12	5.3	2½	89
63	15	6.3	3	102

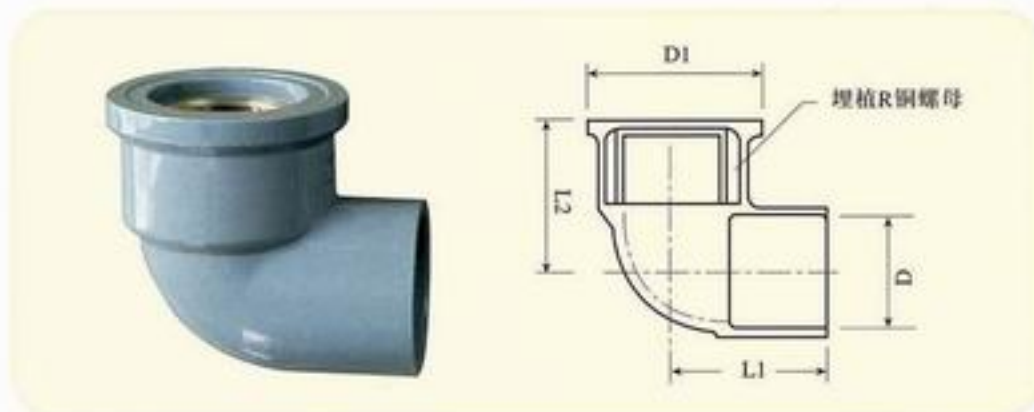
(十四) 铜牙直接头 Faucet Fitting-Female Adapter



单位 Unit:mm

承口公称直径 D	螺纹尺寸 R(in)	D ₁	L
20	1/2	32.5	37
25	1/2	32.5	41
25	3/4	42	44
32	1/2	32.5	45
32	3/4	42	48.5
32	1	50	49.5

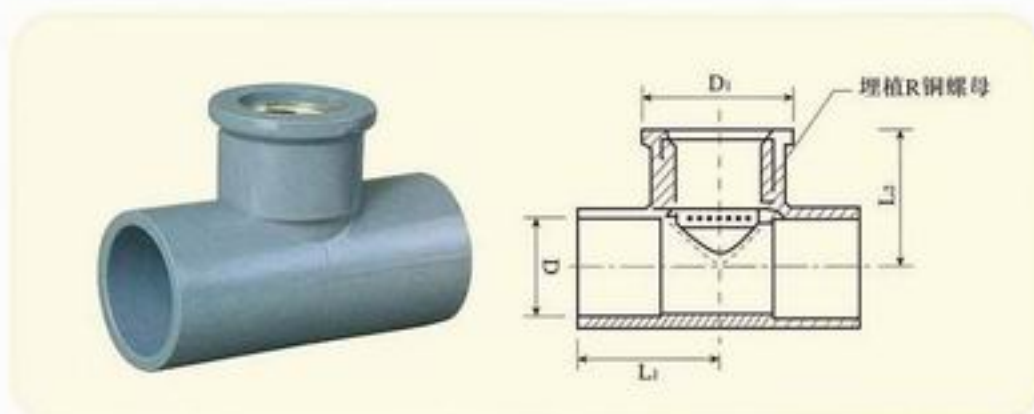
(十五) 铜牙90° 弯头 Faucet Fitting-90° Elbow



单位 Unit:mm

承口公称直径 D	螺纹尺寸 R(in)	D ₁	L ₁	L ₂
20	1/2	32.5	28	29
25	1/2	32.5	34	34
25	3/4	42	34	34
32	1/2	32.5	41.5	34
32	3/4	42	41.5	41.5
32	1	50	41.5	41.5

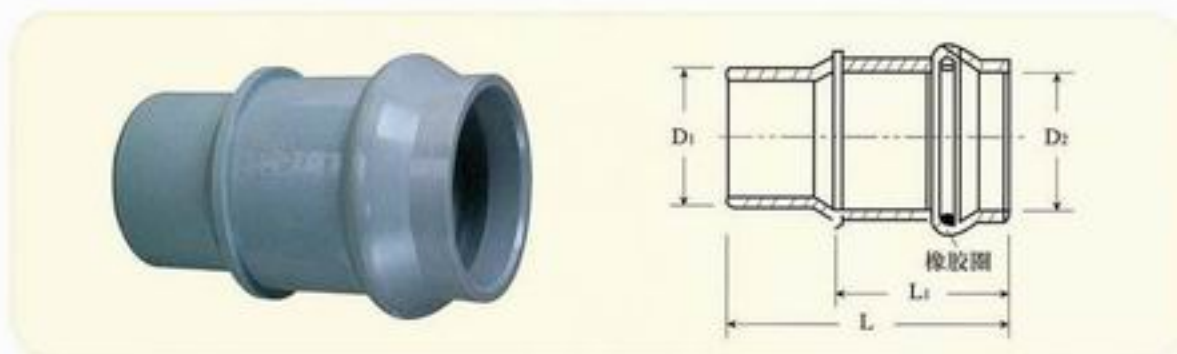
(十六) 铜牙90° 三通 Faucet Fitting-Fixture Tee



单位 Unit:mm

承口公称直径 D	螺纹尺寸 R(in)	D ₁	L ₁	L ₂
20	1/2	32.5	30	28
25	1/2	32.5	34	34
25	3/4	42	34	34
32	1/2	32.5	41.5	41.5
32	3/4	42	41.5	41.5
32	1	50	41.5	41.5

(十七)活套承插接头 Ring-Seal type

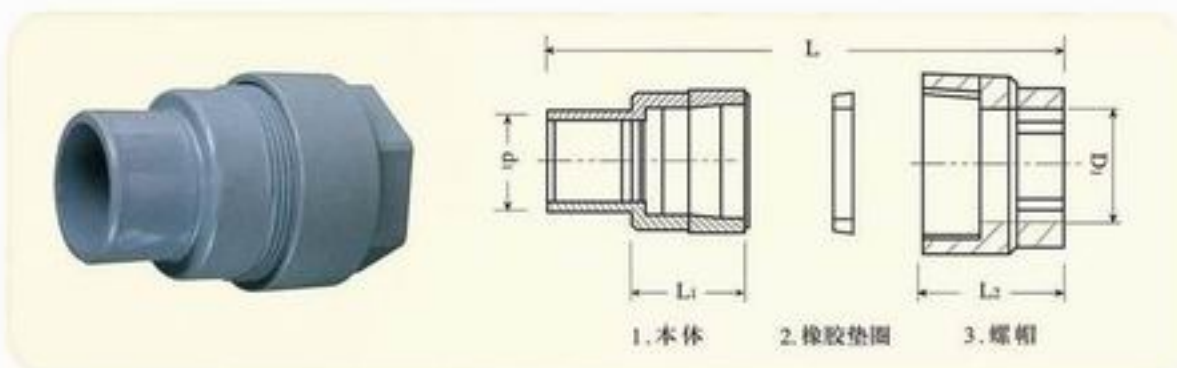


单位 Unit:mm

公称尺寸 Nominal Size	D ₁	D ₂	L ₁	L
63	63.2	65	100.5	152
75	75.2	77	110.2	169
90	90.2	92	115	175
110	110.3	113	130	200
140	140.4	144	145	231
160	160.4	165	175	271
200	200.5	206	195	312
250	250.5	256	230	371

注: 橡胶圈与给水管材相应规格的活套胶圈相同。
Note: The Rubber-Ring's specifications which is appropriated of the slipknot of the PVC pipe for water Works.

(十八)丝扣承插接头 Ring-seal type

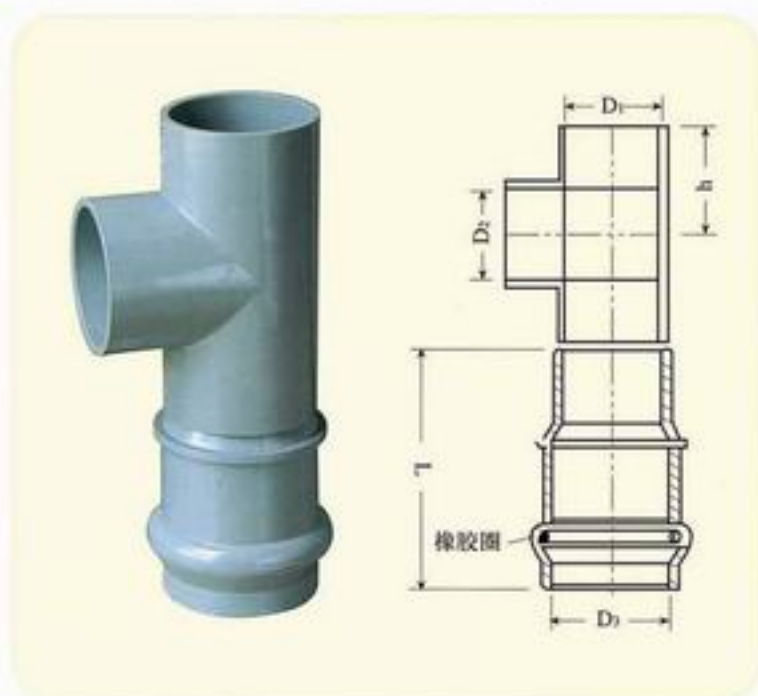


单位 Unit:mm

插口公称尺寸 Nominal Size	d ₁	L ₁	D ₁	L ₂	L
20	20.2	32	20.8	40	72
25	25.2	35	25.8	44	80
32	32.2	39	32.8	48	95
40	40.2	49	41.0	50	108
50	50.2	51	51.0	56	120
63	63.2	54	64.0	60	130

注: L为承插后组件之总长度。
Note: "L" which is overall length after inserting.

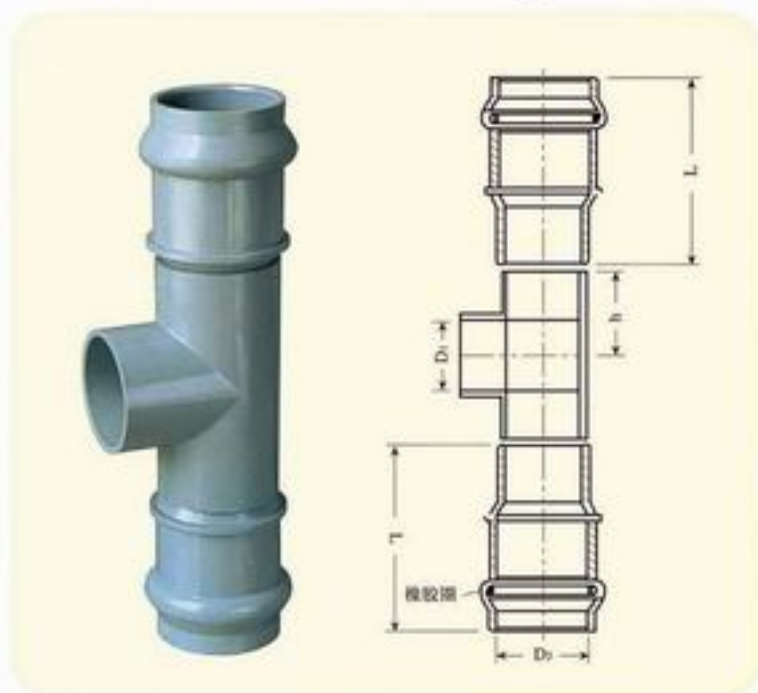
(十九) 单柔90°三通 / One side ring tee



单位 Unit:mm

公称直径 Nominal diameter	D ₁	D ₂	D ₃	h	L
63	63	63	65	72.5	152
75	75	75	77	85	169
90	90	90	92	100	175
110	110	110	113	120	200
140	140	140	144	151	231
160	160	160	165	171	271
200	200	200	206	213	321
250	250	250	256	222	371

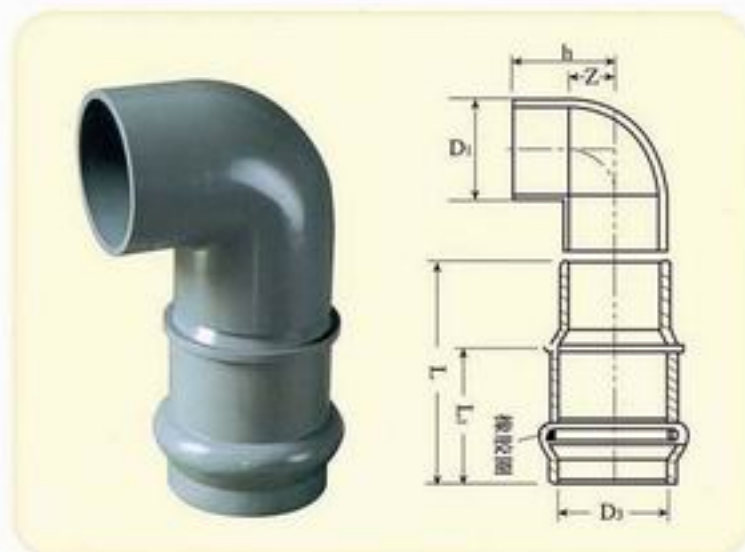
(二十) 双柔90°三通 / Two side ring-seal tee



单位 Unit:mm

公称直径 Nominal diameter	D ₁	D ₂	D ₃	h	L
63	63	63	65	72.5	152
75	75	77	77	85	169
90	90	92	92	100	175
110	110	113	113	120	200
140	140	144	144	151	231
160	160	165	165	171	271
200	200	206	206	213	321
250	250	256	256	222	371

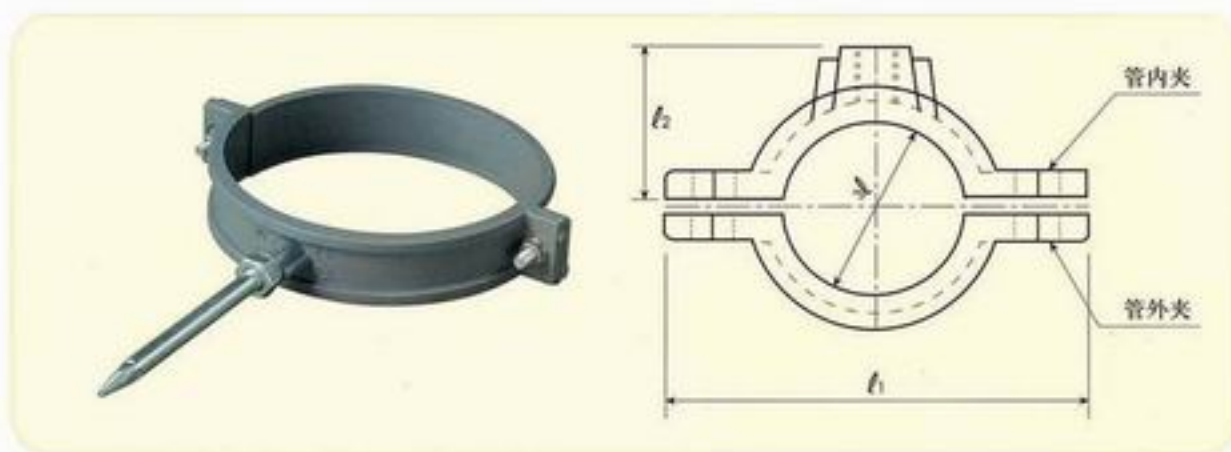
(二一)单柔90° 弯头



单位 Unit:mm

公称直径 Nominal diameter	D ₁	D ₂	D ₃	h	L
63	63	63	65	72.5	152
75	75	75	77	85	169
90	90	90	92	100	175
110	110	110	113	120	200
140	140	140	144	151	231
160	160	160	165	171	271
200	200	200	206	213	312

(二二)管夹

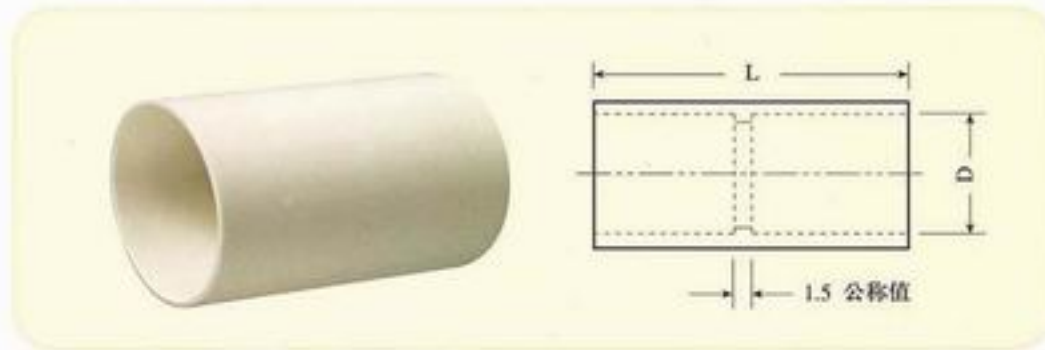


单位 Unit:mm

公称直径 Nominal Pipe Size	l ₁	l ₂	l ₃	M
20	20	52	20	10
25	22.5	57	25	10
32	26	65	32	10
40	32	75	40	11
63	43.5	99	63	11
140	89.5	178	140	16

5 PVC电工套管配件规格 Specification of PVC Conduit Fitting for Electrical installations (Q/NYF 30=IEC 614)

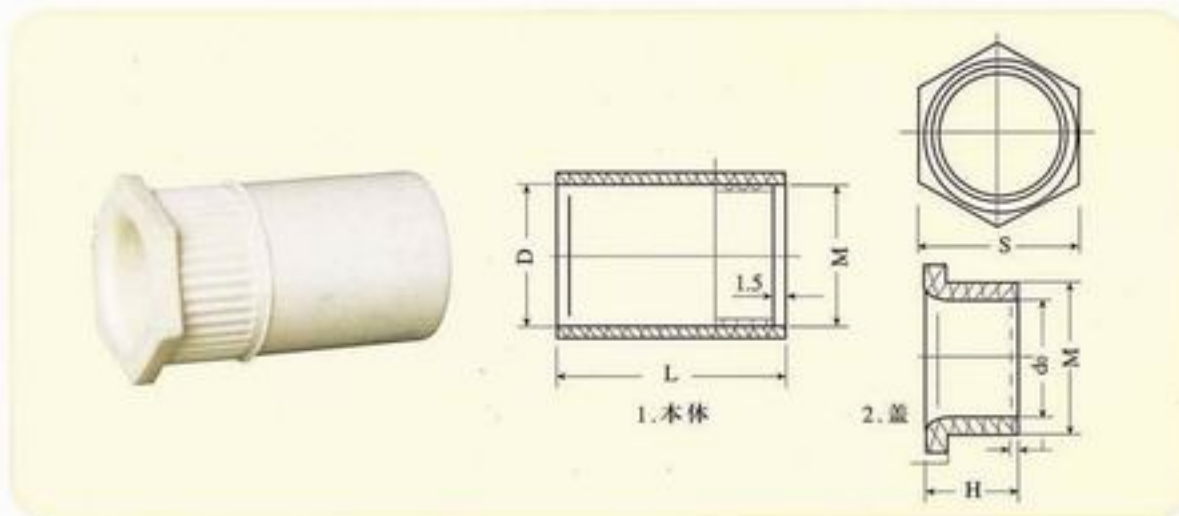
(一) 直接头 Straight adaptor



单位 Unit:mm

公称尺寸 Nominal Size	L	D
16	33.5	15.92
20	41.5	19.94
25	51.5	24.91
32	65.5	32.14
40	81.5	40.17

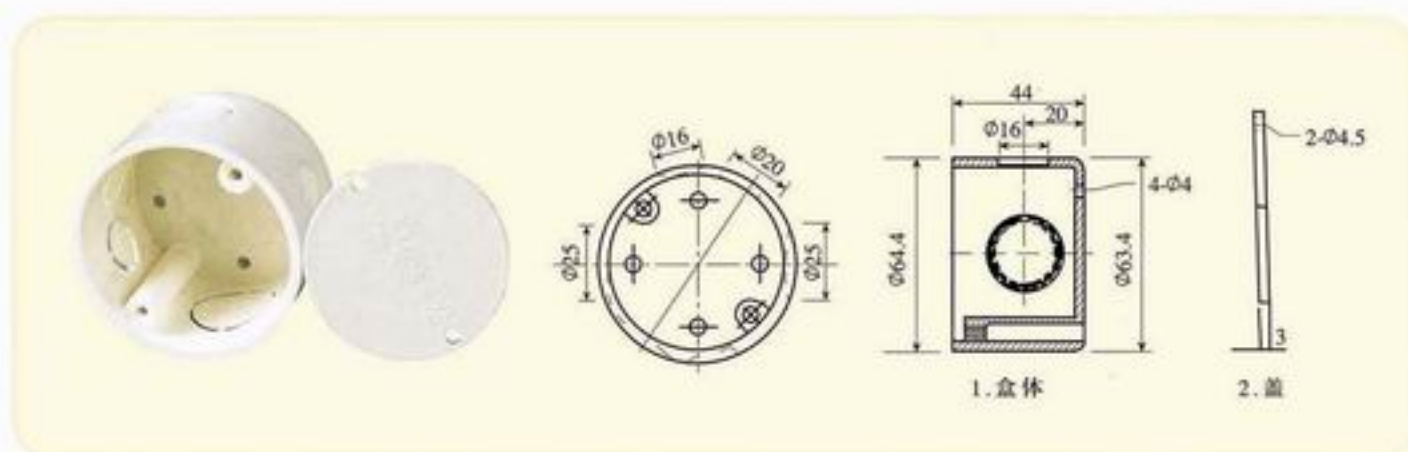
(二) 出线接头 Screwed converters



单位 Unit:mm

公称尺寸 Nominal Size	M	D	L	do	H	S
16	16 × 1	16.2	35	12.5	14	21
20	20 × 1.5	20.2	40	16	14	25
25	25 × 1.5	25.2	40	21	16	30

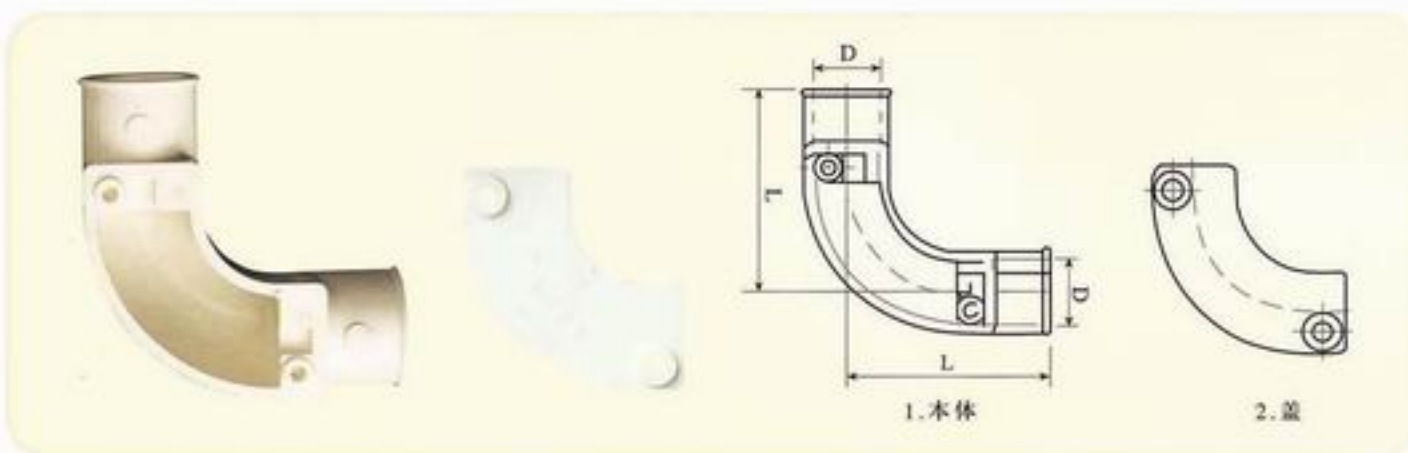
(三) 圆形接线盒 Circular boxes



单位 Unit:mm

盒类型	盒外径
标准	64.4

(四) 盖式弯接头 Znspecion elbows-90°angle

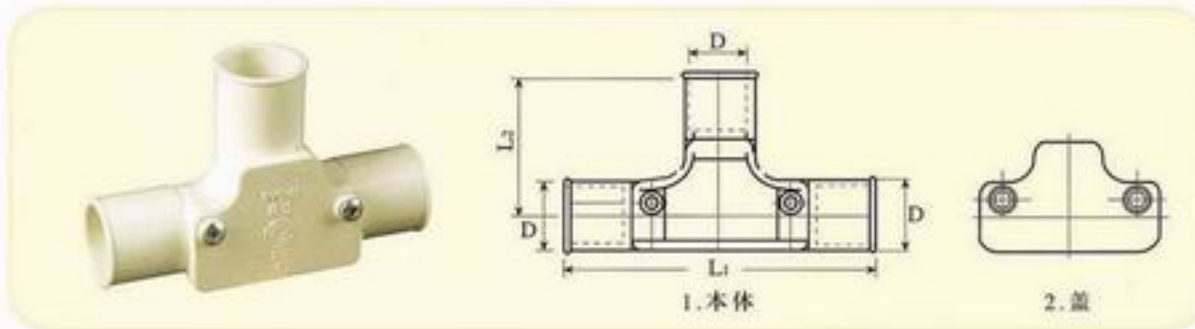


单位 Unit:mm

公称尺寸 Nominal Size	L	D
16	50.0	16.2
20	55.0	20.2
25	61.0	25.2



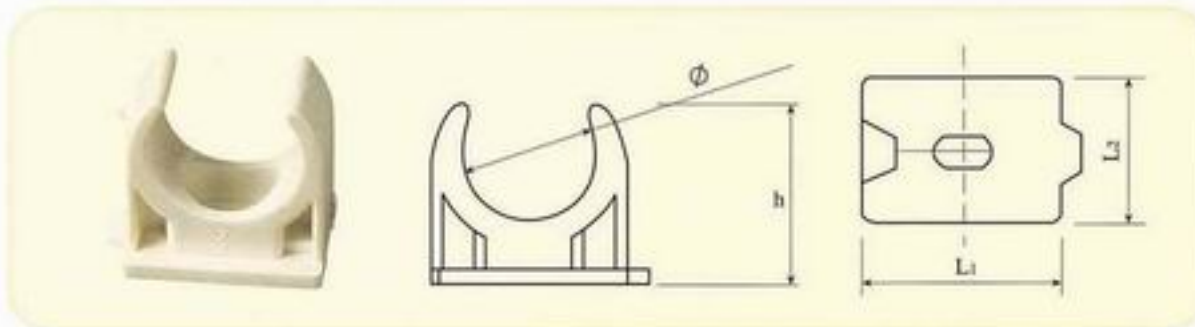
(五) 盖式三通接头 In specion Tee



单位 Unit:mm

公称尺寸 Nominal Size	L ₁	L ₂	D
16	86.0	39.0	16.2
20	102.8	47.0	20.2
25	115.2	56.6	25.2

(六) 电工套管管夹 PVC pipe Layer For conduit



单位 Unit:mm

公称尺寸 Nominal Size	φ	h	L ₁	L ₂
16	15.8	21	23	16.8
20	19.8	26	27	20.0
25	24.8	33	32	22.0
32	31.8	41	40	25.5
40	39.8	51	48	29.0

(七) 电信管管箍 Coupling For Telecom Pipe



单位 Unit:mm

公称尺寸 Nominal Size	D	L	Z
98	98.5	105	3





This catalog is made of UNI-PEPA.
Do not recycle together with the natural paper.
(2006.9.600)

Trading Agent :

UNIQUE PLASTICS CORPORATION

P.O. BOX 108-258 TAIPEI, TAIWAN

TEL: (886-2) 2741-5391(Rep.)

FAX: (886-2) 2776-9998 & 2772-0866

e.mail: uniquepc@ms14.hinet.net

<http://unique-plastics.net>