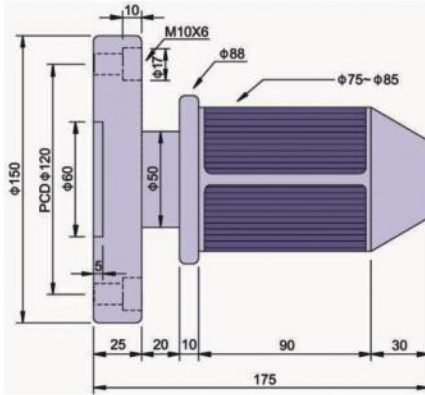


MECHANICAL CHUCK Spring Apply

Spring type: The lugs expand when received the pressure from edge of paper core by machine moveable arms and lug automatic release after pressure free from the edge of paper core when machine moveable arms opened. It is most recommend for on unwind roll stand with hydraulic arm facility.

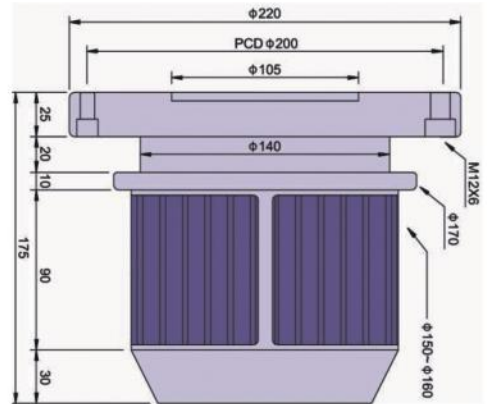
NEA-010-3"

Mechanical Chuck- spring apply
Maximum Load: 1.5 tons



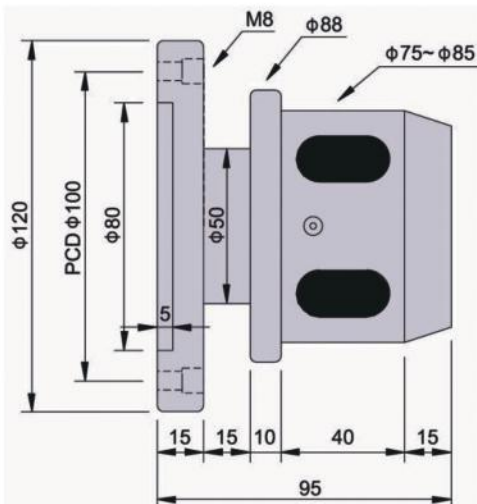
NEA-010-6"

Mechanical Chuck- spring apply
Maximum Load: 4 tons



NEA-020

Mechanical Chuck- spring apply
Maximum Load: 800 kgs



NEA-030

Stepped Mechanical Chuck- spring apply
3" Maximum Load: 1.5 Tons
6" Maximum Load: 4.0 Tons

