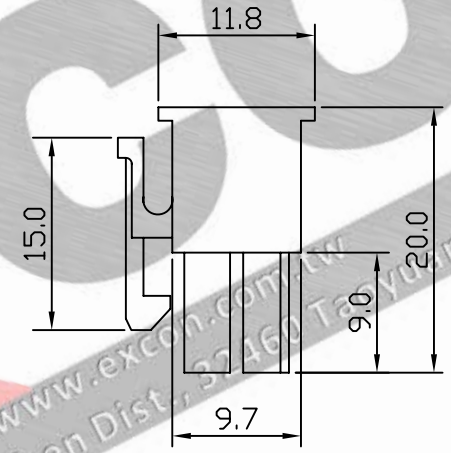
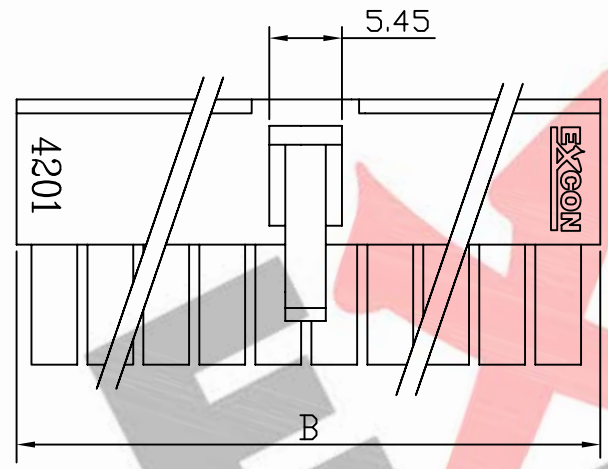
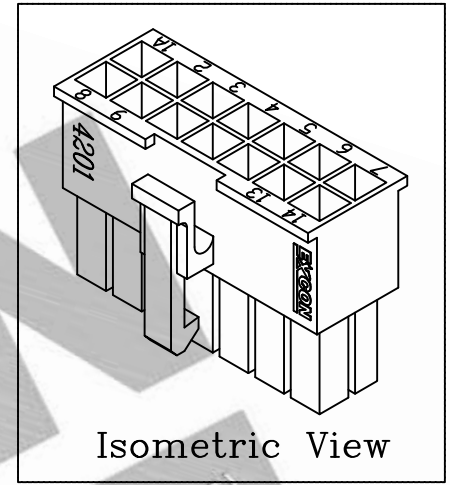
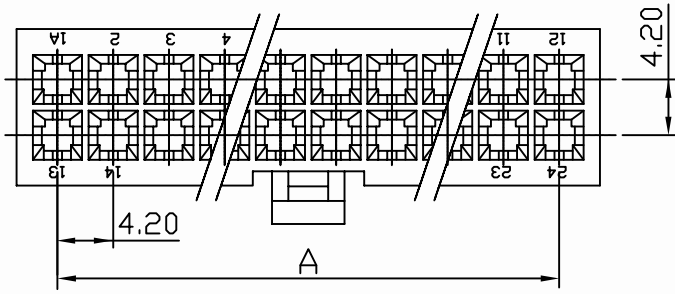


PART NO. 4201xxHMxxx
 DWG NO. C4201HM



Dimensional & Ordering Information:

Part No.				Circuits	A	B
NY66 UL94V0	NY66 UL94V0	NY66 UL94V2	NY66 UL94V2			
420102HM003	420102HM001G	420102HM001	420102HM051	2	5.5	
420104HM003	420104HM001G	420104HM001	420104HM051	4	4.2	9.7
420106HM003	420106HM001G	420106HM001	420106HM051	6	8.4	13.9
420108HM003	420108HM001G	420108HM001	420108HM051	8	12.6	18.1
420110HM003	420110HM001G	420110HM001	420110HM051	10	16.8	22.3
420112HM003	420112HM001G	420112HM001	420112HM051	12	21.0	26.5
420114HM003	420114HM001G	420114HM001	420114HM051	14	25.2	30.7
420106HM003	420106HM001G	420106HM001	420106HM051	16	29.4	34.9
420118HM003	420118HM001G	420118HM001	420118HM051	18	33.6	39.1
420120HM003	420120HM001G	420120HM001	420120HM051	20	37.8	43.3
420122HM003	420122HM001G	420122HM001	420122HM051	22	42.0	47.5
420124HM003	420124HM001G	420124HM001	420124HM051	24	46.2	51.7

NOTE:

1. Wafer Material: Nylon 66 UL94V2 or V0
2. Insulation resistance: 1000M ohm/min.
3. Withstand voltage: 1500V AC/minute.
4. Current retang: 5A AC/DC.
5. Voltage rating: 600V AC/DC
6. If the part numbers are "4201xxHM001G" that is for IEC60335-1 4th EDITION.
7. Color: Natural or Black

REV.	REVISIONI		DIS	DATE
2/1	C	1/1		12/16 2015
SCALE	REV.	PAGE:	UNIT	mm
2/1	C	1/1	THIRD ANGLE PROJECTION	

UNLESS OTHERWISE SPECIFIED TOLERANCES
 3 PLACE ±0.5 ±0.10
 2 PLACE ±1.5 ±0.25
 1 PLACE ±2.0 ±0.50
 ANGLE DIM

EXCON
 EXCON TECHNOLOGY COMPANY

PART.NO
 4201xxHMxxx