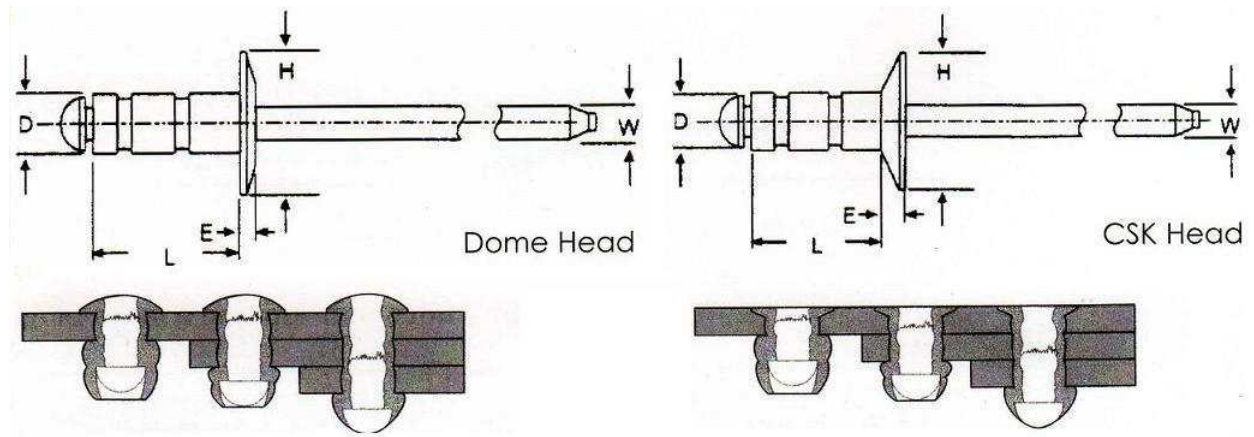


# FOLDING BLIND RIVET



P/N	D RIVET DIA.	HOLE SIZE DRILLING DIA.	L LENGTH	W MANDREL DIA.	H		E		GRIP RANGE	STRENGTH (KG-F)	
					DOME	CSK	DOME	CSK		TENSILE	SHEAR
					FLANGE DIA.		FLANGE DIA.				
TF4143	3.2 (1/8")	3.3	8.0	1.8	6.4	5.5	1.0	0.7	1.0~4.8	95	70
TF4345			11.5						4.0~8.0		
TF5254	4.0 (5/32")	4.1	10.5	2.15	8.0	6.2	1.27	1.0	1.2~6.4	160	115
TF6264			11.0						1.5~6.0		
TF6466	4.8 (3/16")	5.0	15.0	2.6	9.4	8.6	1.52	1.4	4.0~9.0	230	160
TF6668			18.0						6.4~12.8		

ALL MEASUREMENTS ARE IN mm