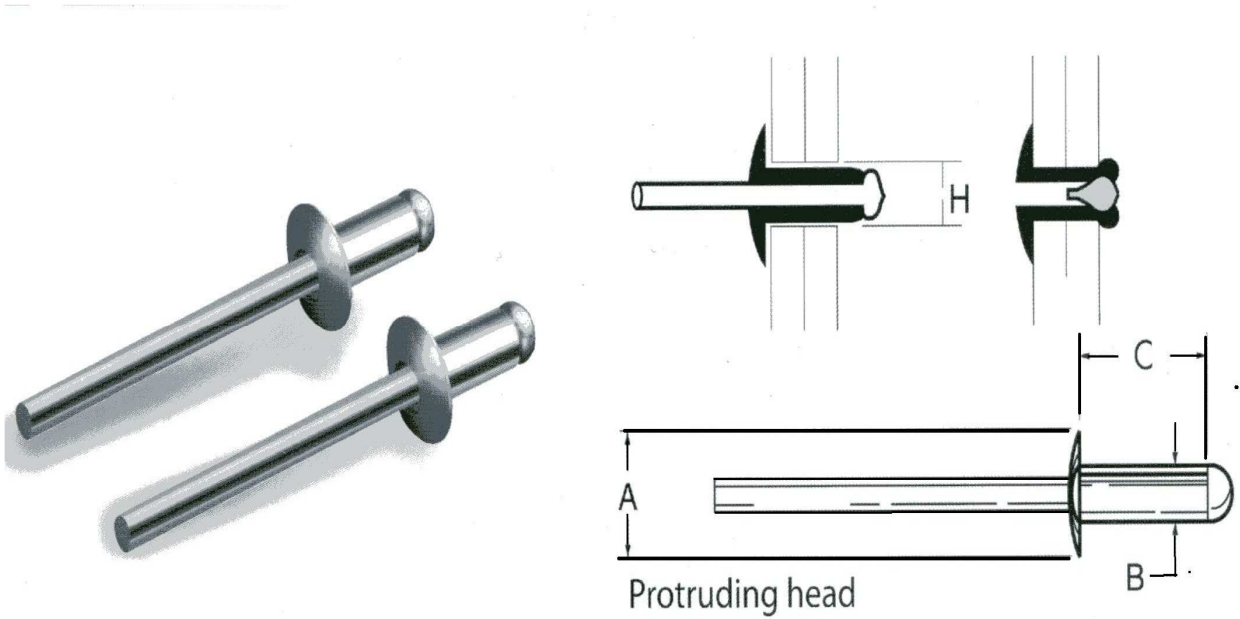


STAINLESS STEEL/ STEEL BLIND RIVETS TS.SSAS. SERIES



TS.SSAS.	ITEM SIZE				
STAINLESS STEEL RIVET STEEL SHAFT	A (HEAD DIA.)	B (BODY DIA.)	(INCH)	C (LENGTH)	(INCH)
TS.SSAS 4-2	6.4mm	3.2mm	1/8	4.80mm	.19
TS.SSAS 4-3				6.40mm	.25
TS.SSAS 4-4				8.00mm	.315
TS.SSAS 4-5				11.00mm	.43
TS.SSAS 4-6				12.30mm	.48
TS.SSAS 5-2				8.0mm	4.0mm
TS.SSAS 5-3	7.00mm	.275			
TS.SSAS 5-4	8.50mm	.335			
TS.SSAS 5-5	10.00mm	.394			
TS.SSAS 5-6	11.40mm	.488			
TS.SSAS 5-8	13.00mm	.511			
TS.SSAS 6-2	9.0mm	4.8mm	3/16	6.40mm	.25
TS.SSAS 6-4				10.50mm	.41
TS.SSAS 6-6				13.50mm	.53
TS.SSAS 6-8				16.50mm	.6