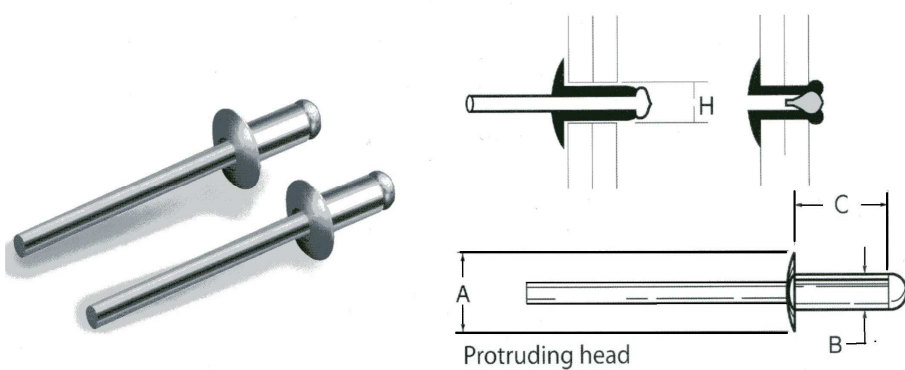


# ALUMINUM/ STEEL BLIND RIVETS TS.AAS. SERIES



TS.AAS.	ITEM SIZE				
	A (HEAD DIA.)	B (BODY DIA.)	(INCH)	C (LENGTH)	(INCH)
ALUMINUM RIVET	4.5mm	2.4mm	3/32	5.80mm	.23
STEEL SHAFT				7.40mm	.30
				8.40mm	.33
TS.AAS 3-2	6.4mm	3.2mm	1/8	4.80mm	.19
TS.AAS 3-3				6.40mm	.25
TS.AAS 3-4				8.00mm	.315
TS.AAS 4-1				9.60mm	.38
TS.AAS 4-2				11.50mm	.45
TS.AAS 4-3				12.70mm	.50
TS.AAS 4-4				16.10mm	.63
TS.AAS 4-5				16.10mm	.63
TS.AAS 4-6	8.0mm	4.0mm	5/3	5.80mm	.23
TS.AAS 4-8				7.00mm	.275
TS.AAS 5-1				8.50mm	.335
TS.AAS 5-2				10.00mm	.394
TS.AAS 5-3				11.40mm	.488
TS.AAS 5-4				13.00mm	.511
TS.AAS 5-5				16.50mm	.65
TS.AAS 5-6	19.50mm	.77			
TS.AAS 5-8	9.0mm	4.8mm	3/16	6.40mm	.25
TS.AAS 5-10				7.40mm	.30
TS.AAS 6-1				9.60mm	.38
TS.AAS 6-2				11.00mm	.44
TS.AAS 6-3				12.70mm	.50
TS.AAS 6-4				14.50mm	.57
TS.AAS 6-5				17.50mm	.69
TS.AAS 6-6				20.40mm	.80
TS.AAS 6-8				24.00mm	.95
TS.AAS 6-10					
TS.AAS 6-12					