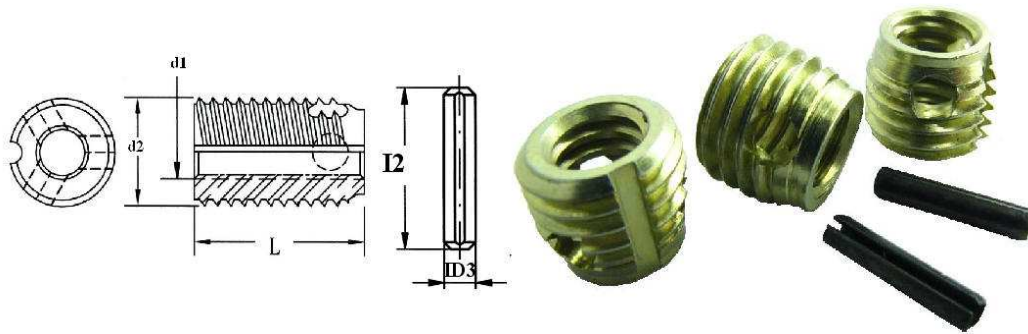


SELF TAPPING THREADED INSERT W. GROOVED PIN



INCH SIZE	INCH P/N.	METRIC SIZE	METRIC P/N.	EXTERNAL THREAD		LENGTH L	PIN LENGTH I2	PIN DIA. ID3	HOLE SIZE +0.003" -0.000"
				d2 (mm)	P(mm)				
INTERNAL THREAD(d1)									
8-32	TSBP30832	M4	TSBP30470	6.50	0.80	0.236"	0.157	0.079	0.236"
8-32	TSBP30832L	M4	TSBP30470L	6.50	0.80	0.315"	0.236	0.079	0.236"
10-32**	TSBP301032	M5	TSBP30580	8.00	1.00	0.276"	0.157	0.079	0.291"
10-32**	TSBP301032L	M5	TSBP30580L	8.00	1.00	0.394"	0.236	0.079	0.291"
1/4-20**	TSBP30420	M6	TSBP30610	10.00	1.25	0.315"	0.236	0.079	0.366"
1/4-20**	TSBP30420L	M6	TSBP30610L	10.00	1.25	0.472"	0.394	0.079	0.366"
5/16-18	TSBP30518	M8	TSBP30518	12.00	1.50	0.354"	0.236	0.079	0.437"
5/16-18	TSBP30518L	M8	TSBP30518L	12.00	1.50	0.551"	0.394	0.079	0.437"
3/8-16	TSBP30616	M10	TSBP301015	14.00	1.50	0.394"	0.236	0.079	0.516"
3/8-16	TSBP30616L	M10	TSBP301015L	14.00	1.50	0.709"	0.630	0.079	0.516"
7/16-14	TSBP3071614	M12	TSBP301275	16.00	1.75	0.472"	0.394	0.079	0.590"
7/16-14	TSBP3071614L	M12	TSBP301275L	16.00	1.75	0.866"	0.630	0.079	0.590"
1/2-13	TSBP301213	M14	TSBP301420	18.00	2.00	0.551"	0.394	0.079	0.669"
1/2-13	TSBP301213L	M14	TSBP301420L	18.00	2.00	0.945"	0.630	0.079	0.669"
5/8-11	TSBP305811	M16	TSBP301615	20.00	2.00	0.551"	0.394	0.079	0.748"
5/8-11	TSBP305811L	M16	TSBP301615L	20.00	2.00	0.945"	0.630	0.079	0.748"