

# AUTO MIRROR

**PRODUCT LISTING:** 1. Control Module x 1pcs    2. Wire Harness x 1pcs

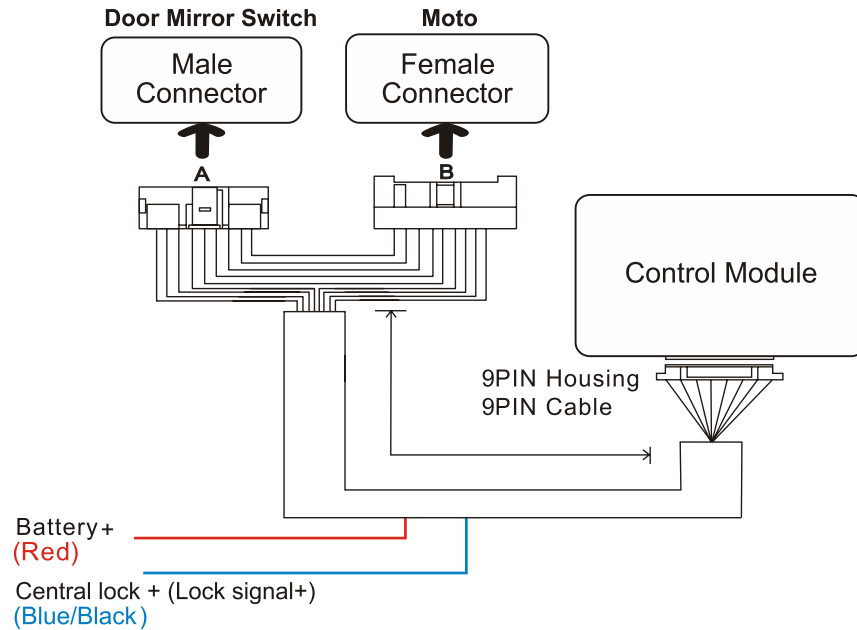
## **PRODUCT DESCRIPTION:**

A. Once the car ACC is OFF, the DOOR MIRRORS will be **AUTO FOLDING** through the following controls.

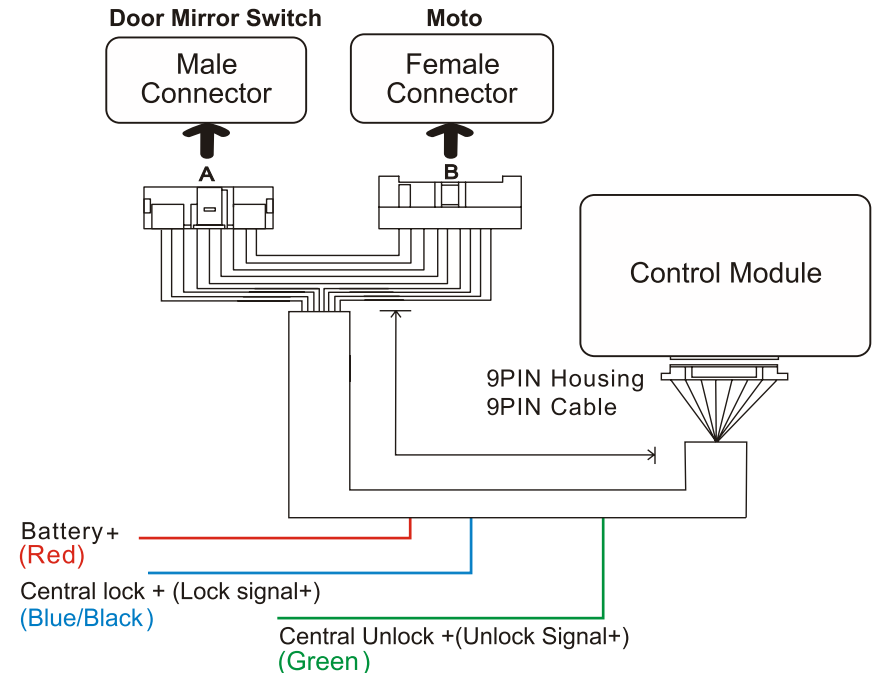
1. Using the remote control to central lock the car doors.
2. Using the car key to central lock the car doors (from driver side).
3. The driver central locks the car doors by manual control from the inside of car (from driver side)

B. the DOOR MIRRORS will be **AUTO UNFOLDED** to normal position through the following controls.

### 1. Car ACC ON



### 2. Unlock the Central lock (through the remote control or car key)



**REMARKS:** Please keep the door mirror switch in ON position at all time.

## **ELECTRICAL SPECS.:**

Rated Voltage : DC 12V  
Operating Voltage : DC 10.5V - 15V  
Static Current : 5mA

Operating Temperature :  $-10^{\circ}\text{C} \sim 70^{\circ}\text{C}$   
Storage Temperature :  $-20^{\circ}\text{C} \sim 80^{\circ}\text{C}$   
Max. Current Loading : 5A