

# 智明電子股份有限公司規格承認書

## CHIMING ELECTRONICS CORP SPECIFICATION FOR APPROVAL

地址:新竹市橫山鄉橫山村站前街 58 號 Add: #58 Station Street, Henghan Hsing, Hsinchu Hsien, Taiwan

Tel: 886-3-593-3482 OR 3-593-1851 Fax: 886-3-593-4537 OR 3-593-3238

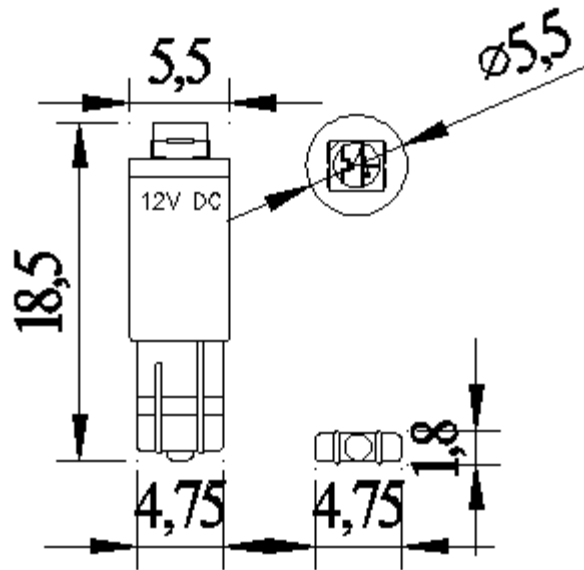
E-mail: att2278@ms71.hinet.net [Http://www.chi-ming.com](http://www.chi-ming.com)

### DESCRIPTION:

(A) Electronics and Optical Characteristics: Ta=25°C

PART NO	Emitting Color	Forward Voltage (DC)	Totally Luminous Intensity	Dominant Wavelength	Color Temperature	Single LED Intensity	Viewing Angle
		Unit: V	Unit: LM Error margin: ±5%	Unit: nm	Unit: K	Unit: mcd	Unit: deg
T5WEDGE-1SMD3-R	Super Red	14.2	5.837	625~640	1001	1268	124.1
T5WEDGE-1SMD3-Y	Super Yellow	14.2	4.684	596~600	1351	1216	121.2
T5WEDGE-1SMD3-G	Ultra Green	14.2	7.221	532~525	7391	1663	121.8
T5WEDGE-1SMD3-B	Ultra Blue	14.2	2.524	474~470	>=100000	556	131.7
T5WEDGE-1SMD3-W	Super White	14.2	7.946	X:0.285 Y:0.297	7000~9000	1858	111.4
Test Condition	Power:0.227 W		Current:16±10%mA				

Figure:



### (B) Absolute Maximum Ratings AT Ta=25°C

PARAMETER	MAX	UNIT
Continuous Forward Current		mA
Peak Forward Current (1/10 Duty Cycle 0.1ms Pulse Width)		mA
Reverse Voltage		V
Operating Temperature Range	-20°C to +50°C	
Storage Temperature Range	-40°C to +100°C	
Lead Solder Temperature 1.6mm Below Package 260°C For 5 seconds		

APPROVED & CHECKED BY: pengjianjun Tested By: pengjianjun Date: 2008/05/02