



**BORING HEAD SETS**

# LI-HSUN

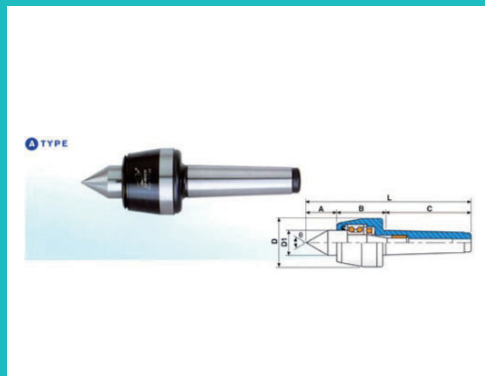
INDUSTRIAL CO., LTD.

Tel: 886-4-2350-7788  
 Fax: 886-4-2350-2120  
<http://m.cens.com/s/lihsun>

*LI-HSUN INDUSTRIAL CO., LTD. is dedicated in "Live Center NCP Type, Work-Driving Centers DK Type, Driving Clipper DC Type, Bullnose Center BC Type, Machine Tools, Live Center, Edge Finder" with operations in Taiwan.*



**MORSE TAPER HOLDER**



**LIVE CENTER**



**WORK-DRIVING TYPE**