



About us

# JUGE YE

## PLASTIC CO., LTD.

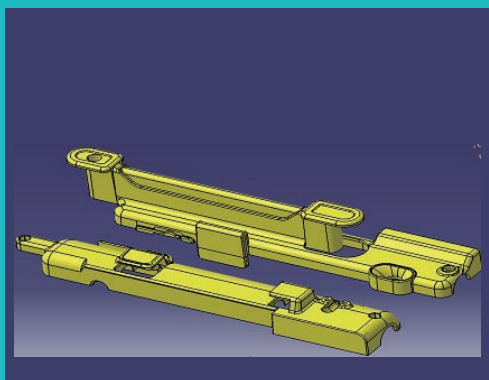
Tel: 886-4-2271-6388

Fax: 886-4-2271-5372

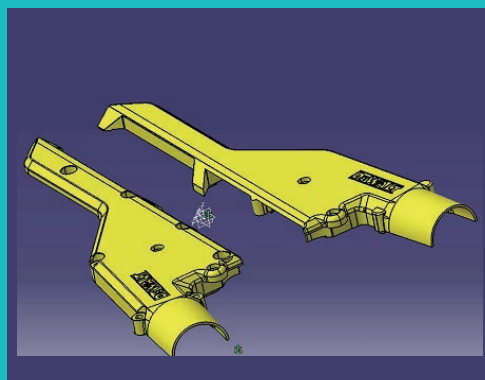
<http://m.cens.com/s/juge>

*We are known for integrity and prioritizing quality since first established in 1979 as OEM as "Jin Long", and we set up "Ju Ye Plastic Co., Ltd." in 2003 to integrate mold development with plastic processing. Backed by ample know-how, we supply woodworking tools, mechanical plastic parts, and also quick and good services to customers in Europe and America.*

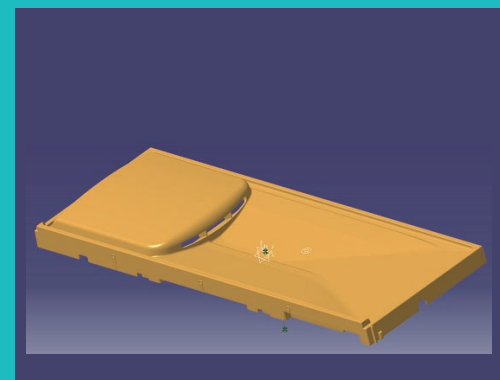
*After years of gradual growth with sales to Europe and America backed by staff dedication and customer support, we've built solid reputation for guaranteed quality in the field.*



Molding Process and Moldflow Analysis(A)



Molding Process and Moldflow Analysis(B)



Molding Process and Moldflow Analysis(C)