



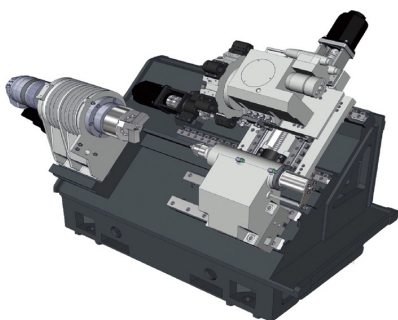
CNC Horizontal Turning Center

UNION

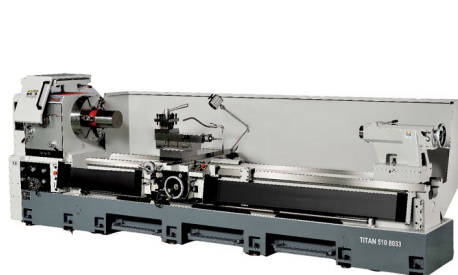
MECHATRONIC INC.

Tel: 886-4-2496-0208
Fax: 886-4-2496-2900
<http://m.cens.com/s/union>

Union Mechatronic Inc. is an enterprise equipped with edge technology, skilled experiences and passion in machinery related products and services; provides professional solutions for customers' operation. We specialized in turnkey engineering & solutions to suit your specific demands. Expert capability in professional and knowledgeable support for turning and milling.



CNC Horizontal Turing Center



Heavy Duty Precision Lathe



Oil Country Lathe