

PET Economic Stretch-Blow Molding Machine

KIN PRECISION

INDUSTRY CORPORATION

Tel: 886-4-2358-9162

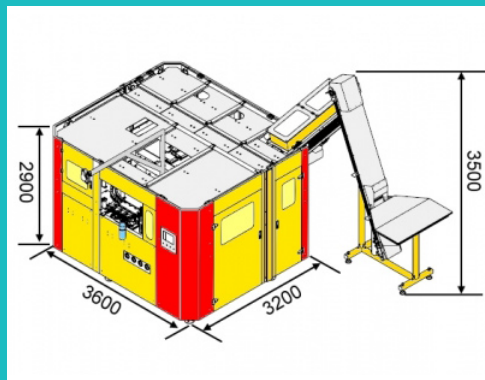
Fax: 886-4-2358-5687

<http://m.cens.com/s/kinprecision>

KEENPRO in Taiwan. Based on the company concepts of "keen and professional", We develop our own brand name "KEENPRO". In addition, we are highly dedicated to research and development, manufacturing, marketing and service for Automatic PET Stretch-Blow Molding Machines. With the company's spirits of "innovative value; dedicate products; prompt service", we are capable of creating maximum value for our customer.



Blowing machine



PET Economic Stretch-Blow Molding Machine



Blowing machine