

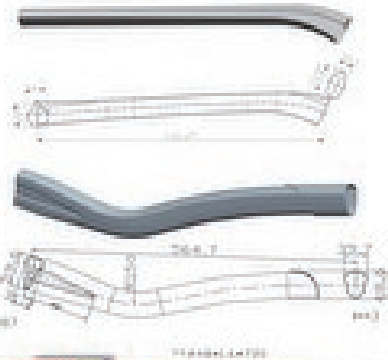


升創五金(深圳)有限公司  
SANLEAD METAL (SHENZHEN) CO.,LTD

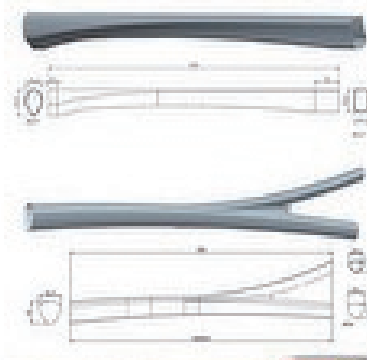
Sanlead Metal specializes in producing high quality bicycle tubing since 1991. Our manufactory aluminum tubes of various standard and custom shapes with perfected processes such as bending, tapering, logo stamping and hydro-forming. We make it all happen for you!!



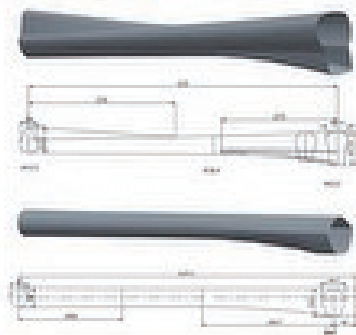
Hydroforming TT



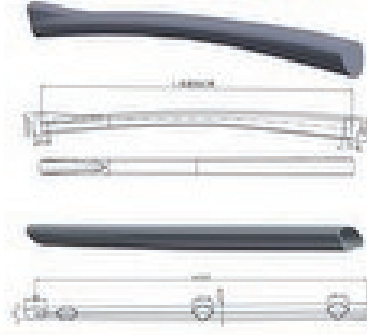
Hydroforming TT



Semi-Hydroforming TT



Semi-Hydroforming TT



深圳 (SHENZHEN)

台北 (TAIPEI)

Bicycle Tubing

# SUNCYCLE

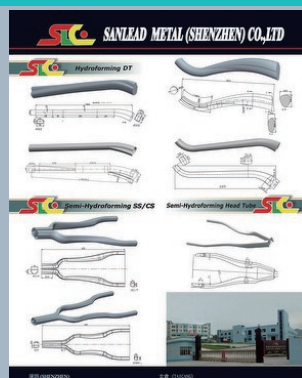
## ENTERPRISE CO., LTD.

Tel: 886-2-27021798  
Fax: 886-2-27021804  
<http://m.cens.com/s/suncycle>

Suncycle established in 1983, main office is in Taipei city. We established our own manufacturer since 1992 for making various tubing and branch office in China (Baolan District) and we also has the office set up in Taicang area near Shanghai city and has the office in Dajia area in Taichung city.



Folding Bike



Bicycle Hydro-forming/ Frame tube



Folding bike

SPORT	
Frame & FORK	Aluminum
Transmission	Shimano Nexus 3
Shifter	Shimano SL-2014E
Front Brake	Selro V-Brake
Rear Brake	Folder Brake
Tire	Kenda 16 x 1.75
Pedal	Forgible
Chain	Halfspeed
Headset	"1.5/14"
Weight	13.7 kg
Folded Dimensions	80 x 80 x 30 cm.

**SUNCYCLE** For Asian Distribution Opportunity, please contact  
**SUNCYCLE ENTERPRISE CO., LTD.**  
Tel: +886-2-27021798 Email: [msk@suncycle.com.tw](mailto:msk@suncycle.com.tw)