



T-101

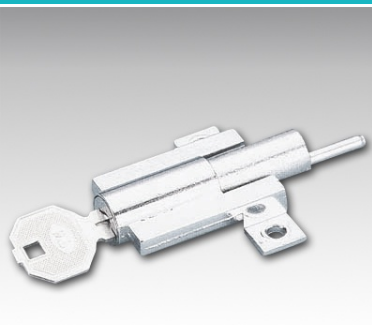
Central Lock- Front Mounted System

JENG DIING CO., LTD.

TEL:886-2-2299-3377
FAX:886-2-2299-4015
<http://m.cens.com/s/jengdiing>

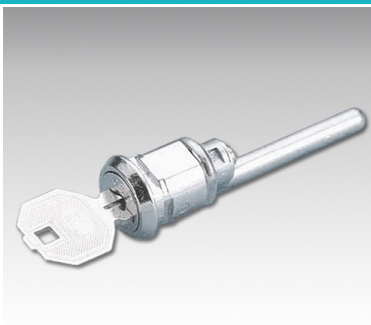
Our Business

Jeng Diing is a professional Office Furniture Lock manufacturer. We are expert in design, manufacture, and marketing Office Furniture Lock to fulfill domestic and international market. Our major product includes Central Lock, Cam Lock, Cabinet Lock,



T-102

Central Lock



T-103

Central Lock



T-104

Cam Lock